



# Flav-R-Savor<sup>®</sup>

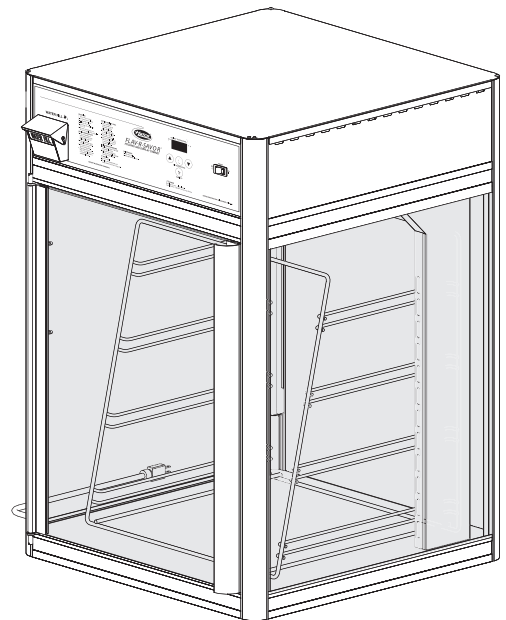
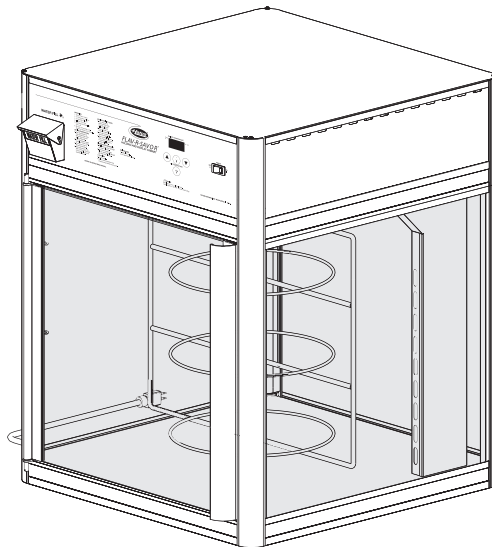
## Humidified Holding and Display Cabinets

### *FSD and FSDT Series*

---

|        |         |
|--------|---------|
| FSD-1  | FSDT-1  |
| FSD-1X | FSDT-1X |
| FSD-2  | FSDT-2  |
| FSD-2X | FSDT-2X |

---



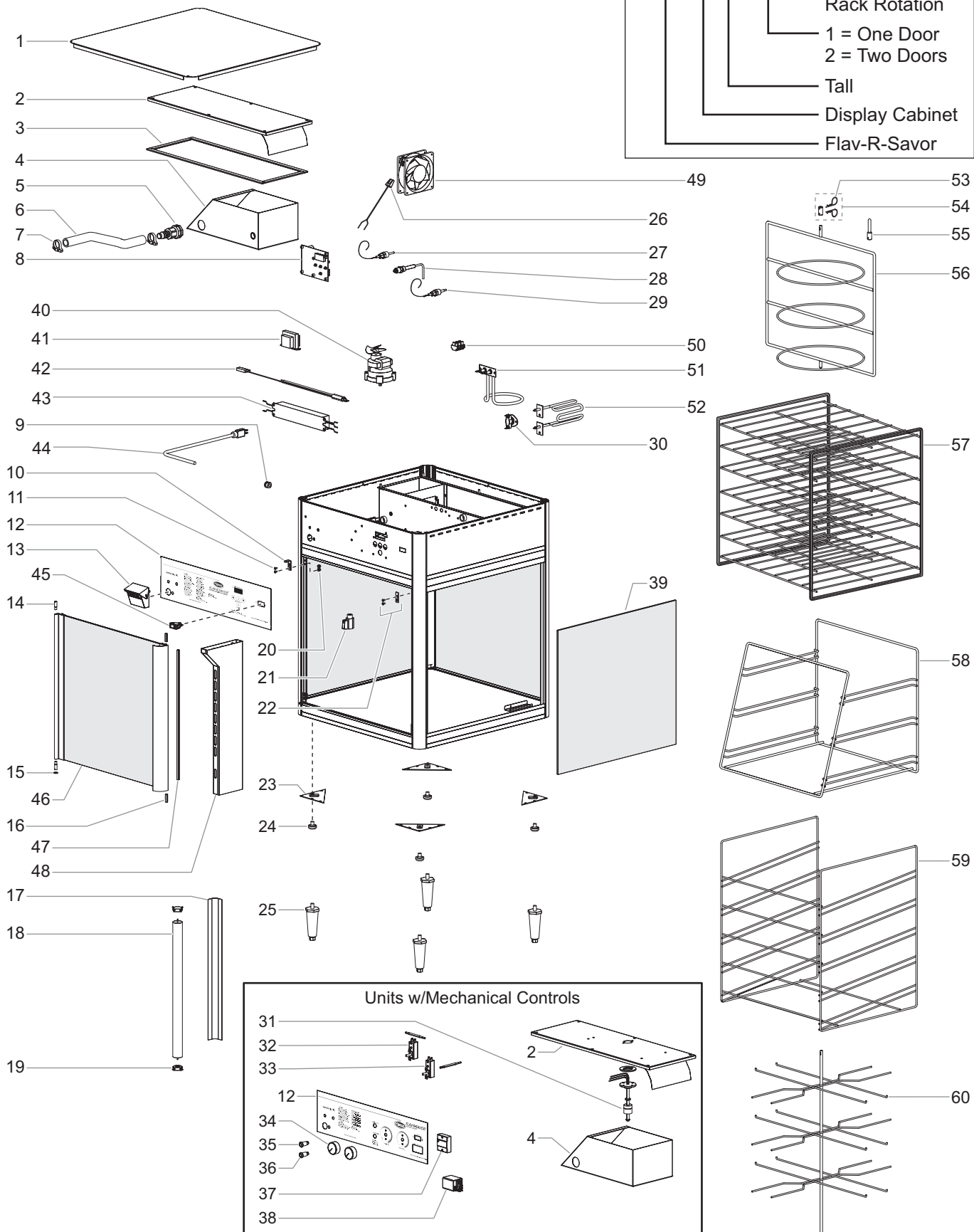
## Replacement Parts List

# HATCO FLAV-R-SAVOR® HUMIDIFIED HOLDING AND DISPLAY CABINETS

## FSD and FSDT Series

**Model Designation**  
**F S D T - 1 X**

- No Motorized Rack Rotation
- 1 = One Door
- 2 = Two Doors
- Tall
- Display Cabinet
- Flav-R-Savor



## PARTS COMMON TO ALL FSD AND FSDT SERIES MODELS

| Item | Description                    | Part No.      | Qty. |
|------|--------------------------------|---------------|------|
| 1    | Hood/Top Cover                 |               |      |
|      | Black                          | R04.17.899.01 | 1    |
|      | Gray Granite                   | R04.17.899.02 | 1    |
|      | Warm Red                       | R04.17.899.03 | 1    |
|      | White Granite                  | R04.17.899.04 | 1    |
|      | Navy Blue                      | R04.17.899.05 | 1    |
|      | Silver Gray                    | R04.17.899.06 | 1    |
|      | Hunter Green                   | R04.17.899.07 | 1    |
|      | Gloss White                    | R04.17.899.08 | 1    |
|      | Antique Copper                 | R04.17.899.21 | 1    |
| 2    | Air Chamber Cover, Electronic  | 04.17.803.00  | 1    |
|      | Air Chamber Cover, Mechanical  | 04.17.623.00  | 1    |
| 3    | Gasket, Air Chamber *          | 05.06.028.00  | 5'   |
| 4    | Water Tank, Electronic         | 04.17.625.00  | 1    |
|      | Water Tank, Mechanical         | 04.48.488.00  | 1    |
| 5    | Plumbing Kit, Water Tank       | R03.40.058.00 | 1    |
| 6    | Fill Tube *                    | 03.40.051.00  | 2'   |
| 7    | Hose Clamp                     | 05.04.354.00  | 2    |
| 8    | Electronic Controller, 24 V    | 02.01.273.00  | 1    |
| 9    | Cord Grip                      | 02.20.276.00  | 1    |
| 10   | Door Hinge Bracket             | 04.17.674.00  | 2-4  |
| 11   | Mounting Screws, Hinge Bracket | 05.04.442.00  | 4-8  |

| Item | Description                      | Part No.      | Qty. |
|------|----------------------------------|---------------|------|
| 12   | Decal, Control Panel, Electronic | 07.03.462.00  | 1    |
|      | Decal, Control Panel, Mechanical | 07.03.288.00  | 1    |
| 13   | Fill Cup Assembly                | R05.30.050.00 | 1    |
| 14   | Hinge Pin Screw, Door            | 05.04.146.00  | 2-4  |
| 15   | Nylon Washer                     | 05.11.006.00  | 1-2  |
| 16   | Magnet Kit, Door                 | R05.30.076.00 | 1-2  |
| 17   | Light Cover, Fluorescent         | 02.30.076.00  | 2    |
| 18   | Display Light, Fluorescent, 15 W | 02.30.074.00  | 2    |
| 19   | Lamp Socket                      | 02.30.073.00  | 4    |
| 20   | Acorn Nut                        | 05.04.443.00  | 4-8  |
| 21   | Drain Valve                      | 03.40.105.00  | 1    |
| 22   | Sticker Plate and Hardware, Door | R04.17.675.00 | 2-4  |
| 23   | Bracket, Leg                     | R04.17.067.00 | 4    |
| 24   | Foot, Rubber (standard)          | 05.30.044.00  | 4    |
| 25   | Leg, 4" (optional)               | 05.30.007.00  | 4    |
| 26   | Power Cord, Blower               | 02.12.001A.00 | 1    |
| 27   | Temperature Probe                | 02.01.203.00  | 1    |
| 28   | Low Water Probe                  | 02.40.045.00  | 1    |
| 29   | Water Level/Temperature Probe    | 02.01.204.00  | 1    |
| 30   | High-Limit Disk                  | R02.16.118.00 | 1    |

### PARTS COMMON TO ALL FSD AND FSDT SERIES MODELS—MECHANICAL CONTROL

The following parts are used in place of the Electronic Controller (Item 8) on all units with mechanical controls.

| Item | Description                     | Part No.      | Qty. |
|------|---------------------------------|---------------|------|
| 31   | Float Switch, Water Level       | R02.01.029.00 | 1    |
| 32   | Thermostat Control, Humidity    | R02.16.039.00 | 1    |
| 33   | Thermostat Control, Temperature | R02.16.039.00 | 1    |
| 34   | Knob, Control                   | 05.30.047.00  | 2    |

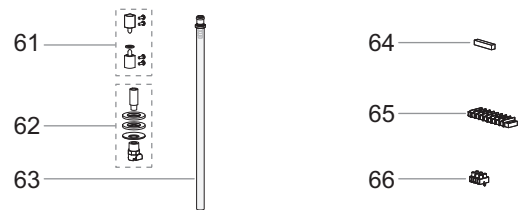
**NOTE:** The last four digits in a ten digit numerical serial number are the manufacturing date code.

Example = Serial number 9625060951 has a date code of "0951" which indicates the following:



### PARTS FOR OLD VERSION FSD AND FSDT SERIES MODELS

The following parts were used in previous versions of FSD and FSDT Series Models.



| Item | Description                    | Part No.       | Qty. |
|------|--------------------------------|----------------|------|
| 61   | Door Hinge Assembly •          | R00.01.0115.00 | 1-2  |
| 62   | Ceiling Drain Assembly         | R03.40.055.00  | 1    |
| 63   | Drain Tube Assembly, Plastic   | R03.40.054.00  | 1    |
| 64   | Magnet, Proximity Switch       | Not Available  | 1-2  |
| 65   | Terminal Block, 8-Pole         | 02.15.012.00   | 1    |
| 66   | Terminal Block, 3-Pole         | 02.15.028.00   | 2    |
| 67   | Motor Bearing Lube (not shown) | 05.01.018.00   | 1    |

**NOTE:** Quantities shown as a range (example = "2-4") are dependent upon the number of doors on a unit.

\* Item sold in one foot increments.

• Item used on FSD/FSDT units manufactured through date code 0011.



24 Hour 7 Day Parts and Service Assistance available in the United States and Canada by calling (800) 558-0607.



**Use of replacement parts other than those supplied by Hatco Corporation may result in damage to unit or injury to personnel and will void all warranties.**

## PARTS SPECIFIC TO MODELS FSD-1 AND FSD-2

| Item Description  | 120 V          | 220 V          | 240 V          | 220–230 V<br>(CE) | 230–240 V<br>(CE) |
|---|----------------|----------------|----------------|-------------------|-------------------|
| 35 Indicator Light, Humidity Cycle †  | 02.19.155.00   | 02.19.157.00   | 02.19.157.00   | 02.19.157.00      | 02.19.157.00      |
| 36 Indicator Light, Low Water †   | 02.19.154.00   | 02.19.151.00   | 02.19.151.00   | 02.19.151.00      | 02.19.151.00      |
| 37 Temperature Display †  | R02.16.057.00  | R02.16.058.00  | R02.16.058.00  | R02.16.058.00     | R02.16.058.00     |
| 38 Control Relay †  | 02.01.028.00   | 02.01.043.00   | 02.01.043.00   | 02.01.043.00      | 02.01.043.00      |
| 39 Side Glass Panel (Qty. 2–3)  | 04.40.112.00   | R04.40.112.00  | 04.40.112.00   | 04.40.112.00      | 04.40.112.00      |
| 40 Rack Motor   | 02.12.005.00   | 02.12.047.00   | 02.12.047.00   | 02.12.047.00      | 02.12.047.00      |
| 41 Transformer  | 02.17.022.00   | 02.17.023.00   | 02.17.023.00   | 02.17.023.00      | 02.17.023.00      |
| 42 Proximity Switch Assembly<br>(Qty. 1–2)                                      | R02.19.192.00  | R02.19.192.00  | R02.19.192.00  | R02.19.192.00     | R02.19.192.00     |
| 43 Ballast Assembly   | R02.30.132.00  | R02.30.132.00  | R02.30.132.00  | R02.30.132.00     | R02.30.132.00     |
| 44 Power Cord w/Plug ‡  | 02.18.084.00   | 02.18.109.00   | 02.18.120.00   | 02.18.109.00      | 02.18.120.00      |
| 45 Rocker Switch, On/Off  | 02.19.080.00   | 02.19.081.00   | 02.19.081.00   | 02.19.081.00      | 02.19.081.00      |
| 46 Door Assembly<br>(Qty. 1–2, includes items 10, 11,<br>14–16, 20, 22, and 48) | R04.40.113.00  | R04.40.113.00  | R04.40.113.00  | R04.40.113.00     | R04.40.113.00     |
| 47 Gasket Kit, Door (Qty. 1–2)  | R00.01.0135.00 | R00.01.0135.00 | R00.01.0135.00 | R00.01.0135.00    | R00.01.0135.00    |
| 48 Air Diffuser Tube  | 04.17.629.00   | 04.17.629.00   | 04.17.629.00   | 04.17.629.00      | 04.17.629.00      |
| 49 Blower Motor   | R02.12.001.00  | 02.12.006.00   | 02.12.006.00   | 02.12.006.00      | 02.12.006.00      |
| 50 Terminal Block, 3-Pole   | ---            | ---            | ---            | R02.15.030.00     | R02.15.030.00     |
| 51 Water Element, 325 W   | R02.05.006.00  | R02.05.016E.00 | R02.05.013E.00 | R02.05.016E.00    | R02.05.013E.00    |
| 52 Air Element, 1050 W  | R02.05.011.00  | R02.05.015E.00 | R02.05.012E.00 | R02.05.015E.00    | R02.05.012E.00    |
| 53 Cotter Pin (Qty. 2)  | 05.04.352.00   | 05.04.352.00   | 05.04.352.00   | 05.04.352.00      | 05.04.352.00      |
| 54 Rack Coupling w/Pins<br>(includes two of item 54)                            | R04.17.615.00  | R04.17.615.00  | R04.17.615.00  | R04.17.615.00     | R04.17.615.00     |
| 55 Motorless Rack Coupling w/Pin<br>(includes item 54)                          | ---            | ---            | ---            | ---               | ---               |
| 56 Circle Rack, 3 Tier (shown)  | 04.17.640.00   | 04.17.640.00   | 04.17.640.00   | 04.17.640.00      | 04.17.640.00      |
| Circle Rack, 4 Tier   | ---            | ---            | ---            | ---               | ---               |
| Circle Rack, 5 Tier   | ---            | ---            | ---            | ---               | ---               |
| 57 Multi-Purpose Rack, 5 Shelf  | R04.17.012.01  | R04.17.012.01  | R04.17.012.01  | R04.17.012.01     | R04.17.012.01     |
| Multi-Purpose Rack, 7 Shelf<br>(shown)  | ---            | ---            | ---            | ---               | ---               |
| 58 Pan Rack, 3 Tier (shown)   | 04.17.010.00   | 04.17.010.00   | 04.17.010.00   | 04.17.010.00      | 04.17.010.00      |
| Pan Rack, 5 Tier  | ---            | ---            | ---            | ---               | ---               |
| 59 Angle Rack, 3 Shelf  | R04.17.013.00  | R04.17.013.00  | R04.17.013.00  | R04.17.013.00     | R04.17.013.00     |
| Angle Rack, 5 Shelf (shown)   | ---            | ---            | ---            | ---               | ---               |
| 60 Pretzel Rack, 3 Tier   | ---            | ---            | ---            | ---               | ---               |
| Wiring Diagram  | 10-01-196      | 10-01-494      | 10-01-494      | 10-01-209         | 10-01-209         |

NOTE: Quantities shown as a range (example = “2–4”) are dependent upon the number of doors on a unit.

† Item used on units with mechanical controls only.

‡ Canadian 120 V units use power cord w/plug P/N 02.18.082.00.

The shaded areas contain information for **International models only**.

## PARTS SPECIFIC TO MODEL FSD-1X AND FSD-2X

| Item Description  | 120 V          | 220 V          | 240 V          | 220–230 V<br>(CE) | 230–240 V<br>(CE) |
|---|----------------|----------------|----------------|-------------------|-------------------|
| 35 Indicator Light, Humidity Cycle †  | 02.19.155.00   | 02.19.157.00   | 02.19.157.00   | 02.19.157.00      | 02.19.157.00      |
| 36 Indicator Light, Low Water †   | 02.19.154.00   | 02.19.151.00   | 02.19.151.00   | 02.19.151.00      | 02.19.151.00      |
| 37 Temperature Display †  | R02.16.057.00  | R02.16.058.00  | R02.16.058.00  | R02.16.058.00     | R02.16.058.00     |
| 38 Control Relay †  | 02.01.028.00   | 02.01.043.00   | 02.01.043.00   | 02.01.043.00      | 02.01.043.00      |
| 39 Side Glass Panel (Qty. 2–3)  | 04.40.112.00   | R04.40.112.00  | 04.40.112.00   | 04.40.112.00      | 04.40.112.00      |
| 40 Rack Motor   | ---            | ---            | ---            | ---               | ---               |
| 41 Transformer  | 02.17.022.00   | 02.17.023.00   | 02.17.023.00   | 02.17.023.00      | 02.17.023.00      |
| 42 Proximity Switch Assembly<br>(Qty. 1–2)                                      | ---            | ---            | ---            | ---               | ---               |
| 43 Ballast Assembly   | R02.30.132.00  | R02.30.132.00  | R02.30.132.00  | R02.30.132.00     | R02.30.132.00     |
| 44 Power Cord w/Plug ‡  | 02.18.084.00   | 02.18.109.00   | 02.18.120.00   | 02.18.109.00      | 02.18.120.00      |
| 45 Rocker Switch, On/Off  | 02.19.080.00   | 02.19.081.00   | 02.19.081.00   | 02.19.081.00      | 02.19.081.00      |
| 46 Door Assembly<br>(Qty. 1–2, includes items 10, 11,<br>14–16, 20, 22, and 48) | R04.40.113.00  | R04.40.113.00  | R04.40.113.00  | R04.40.113.00     | R04.40.113.00     |
| 47 Gasket Kit, Door (Qty. 1–2)  | R00.01.0135.00 | R00.01.0135.00 | R00.01.0135.00 | R00.01.0135.00    | R00.01.0135.00    |
| 48 Air Diffuser Tube  | 04.17.629.00   | 04.17.629.00   | 04.17.629.00   | 04.17.629.00      | 04.17.629.00      |
| 49 Blower Motor   | R02.12.001.00  | 02.12.006.00   | 02.12.006.00   | 02.12.006.00      | 02.12.006.00      |
| 50 Terminal Block, 3-Pole   | ---            | ---            | ---            | R02.15.030.00     | R02.15.030.00     |
| 51 Water Element, 325 W   | R02.05.006.00  | R02.05.016E.00 | R02.05.013E.00 | R02.05.016E.00    | R02.05.013E.00    |
| 52 Air Element, 1050 W  | R02.05.011.00  | R02.05.015E.00 | R02.05.012E.00 | R02.05.015E.00    | R02.05.012E.00    |
| 53 Cotter Pin   | 05.04.352.00   | 05.04.352.00   | 05.04.352.00   | 05.04.352.00      | 05.04.352.00      |
| 54 Rack Coupling w/Pins<br>(includes two of item 54)                            | ---            | ---            | ---            | ---               | ---               |
| 55 Motorless Rack Coupling w/Pin<br>(includes item 54)                          | R04.24.087.00  | R04.24.087.00  | R04.24.087.00  | R04.24.087.00     | R04.24.087.00     |
| 56 Circle Rack, 3 Tier (shown)  | 04.17.640.00   | 04.17.640.00   | 04.17.640.00   | 04.17.640.00      | 04.17.640.00      |
| Circle Rack, 4 Tier   | ---            | ---            | ---            | ---               | ---               |
| Circle Rack, 5 Tier   | ---            | ---            | ---            | ---               | ---               |
| 57 Multi-Purpose Rack, 5 Shelf  | R04.17.012.01  | R04.17.012.01  | R04.17.012.01  | R04.17.012.01     | R04.17.012.01     |
| Multi-Purpose Rack, 7 Shelf<br>(shown)  | ---            | ---            | ---            | ---               | ---               |
| 58 Pan Rack, 3 Tier (shown)   | 04.17.010.00   | 04.17.010.00   | 04.17.010.00   | 04.17.010.00      | 04.17.010.00      |
| Pan Rack, 5 Tier  | ---            | ---            | ---            | ---               | ---               |
| 59 Angle Rack, 3 Shelf  | R04.17.013.00  | R04.17.013.00  | R04.17.013.00  | R04.17.013.00     | R04.17.013.00     |
| Angle Rack, 5 Shelf (shown)   | ---            | ---            | ---            | ---               | ---               |
| 60 Pretzel Rack, 3 Tier   | ---            | ---            | ---            | ---               | ---               |
| Wiring Diagram  | 10-01-196      | 10-01-494      | 10-01-494      | 10-01-209         | 10-01-209         |

NOTE: Quantities shown as a range (example = “2–4”) are dependent upon the number of doors on a unit.

† Item used on units with mechanical controls only.

‡ Canadian 120 V units use power cord w/plug P/N 02.18.082.00.

The shaded areas contain information for **International models only**.

## PARTS SPECIFIC TO MODEL FSDT-1 AND FSDT-2

| Item Description  | 120 V          | 220 V          | 240 V          | 220-230 V<br>(CE) | 230-240 V<br>(CE) |
|---|----------------|----------------|----------------|-------------------|-------------------|
| 35 Indicator Light, Humidity Cycle †  | 02.19.155.00   | 02.19.157.00   | 02.19.157.00   | 02.19.157.00      | 02.19.157.00      |
| 36 Indicator Light, Low Water †   | 02.19.154.00   | 02.19.151.00   | 02.19.151.00   | 02.19.151.00      | 02.19.151.00      |
| 37 Temperature Display †  | R02.16.057.00  | R02.16.058.00  | R02.16.058.00  | R02.16.058.00     | R02.16.058.00     |
| 38 Control Relay †  | 02.01.028.00   | 02.01.043.00   | 02.01.043.00   | 02.01.043.00      | 02.01.043.00      |
| 39 Side Glass Panel (Qty. 2-3)  | 04.40.114.00   | 04.40.114.00   | 04.40.114.00   | 04.40.114.00      | 04.40.114.00      |
| 40 Rack Motor   | 02.12.005.00   | 02.12.047.00   | 02.12.047.00   | 02.12.047.00      | 02.12.047.00      |
| 41 Transformer  | 02.17.022.00   | 02.17.023.00   | 02.17.023.00   | 02.17.023.00      | 02.17.023.00      |
| 42 Proximity Switch Assembly<br>(Qty. 1-2)                                      | R02.19.192.00  | R02.19.192.00  | R02.19.192.00  | R02.19.192.00     | R02.19.192.00     |
| 43 Ballast Assembly   | R02.30.132.00  | R02.30.132.00  | R02.30.132.00  | R02.30.132.00     | R02.30.132.00     |
| 44 Power Cord w/Plug ‡  | 02.18.084.00   | 02.18.109.00   | 02.18.120.00   | 02.18.109.00      | 02.18.120.00      |
| 45 Rocker Switch, On/Off  | 02.19.080.00   | 02.19.081.00   | 02.19.081.00   | 02.19.081.00      | 02.19.081.00      |
| 46 Door Assembly<br>(Qty. 1-2, includes items 10, 11,<br>14-16, 20, 22, and 48) | R04.40.115.00  | R04.40.115.00  | R04.40.115.00  | R04.40.115.00     | R04.40.115.00     |
| 47 Gasket Kit, Door (Qty. 1-2)  | R00.01.0135.00 | R00.01.0135.00 | R00.01.0135.00 | R00.01.0135.00    | R00.01.0135.00    |
| 48 Air Diffuser Tube  | 04.17.627.00   | 04.17.627.00   | 04.17.627.00   | 04.17.627.00      | 04.17.627.00      |
| 49 Blower Motor   | R02.12.001.00  | 02.12.006.00   | 02.12.006.00   | 02.12.006.00      | 02.12.006.00      |
| 50 Terminal Block, 3-Pole   | ---            | ---            | ---            | R02.15.030.00     | R02.15.030.00     |
| 51 Water Element, 325 W   | R02.05.006.00  | R02.05.016E.00 | R02.05.013E.00 | R02.05.016E.00    | R02.05.013E.00    |
| 52 Air Element, 1050 W  | R02.05.011.00  | R02.05.015E.00 | R02.05.012E.00 | R02.05.015E.00    | R02.05.012E.00    |
| 53 Cotter Pin (Qty. 2)  | 05.04.352.00   | 05.04.352.00   | 05.04.352.00   | 05.04.352.00      | 05.04.352.00      |
| 54 Rack Coupling w/Pins<br>(includes two of item 54)                            | R04.17.615.00  | R04.17.615.00  | R04.17.615.00  | R04.17.615.00     | R04.17.615.00     |
| 55 Motorless Rack Coupling w/Pin<br>(includes item 54)                          | ---            | ---            | ---            | ---               | ---               |
| 56 Circle Rack, 3 Tier (shown)  | ---            | ---            | ---            | ---               | ---               |
| Circle Rack, 4 Tier   | 04.17.641.00   | 04.17.641.00   | 04.17.641.00   | 04.17.641.00      | 04.17.641.00      |
| Circle Rack, 5 Tier   | 04.17.642.00   | 04.17.642.00   | 04.17.642.00   | 04.17.642.00      | 04.17.642.00      |
| 57 Multi-Purpose Rack, 5 Shelf  | ---            | ---            | ---            | ---               | ---               |
| Multi-Purpose Rack, 7 Shelf<br>(shown)  | R04.17.012.00  | R04.17.012.00  | R04.17.012.00  | R04.17.012.00     | R04.17.012.00     |
| 58 Pan Rack, 3 Tier (shown)   | 04.17.010.00   | 04.17.010.00   | 04.17.010.00   | 04.17.010.00      | 04.17.010.00      |
| Pan Rack, 5 Tier  | 04.17.027.00   | 04.17.027.00   | 04.17.027.00   | 04.17.027.00      | 04.17.027.00      |
| 59 Angle Rack, 3 Shelf  | R04.17.013.00  | R04.17.013.00  | R04.17.013.00  | R04.17.013.00     | R04.17.013.00     |
| Angle Rack, 5 Shelf (shown)   | R04.17.019.00  | R04.17.019.00  | R04.17.019.00  | R04.17.019.00     | R04.17.019.00     |
| 60 Pretzel Rack, 3 Tier   | 04.17.689.00   | 04.17.689.00   | 04.17.689.00   | 04.17.689.00      | 04.17.689.00      |
| Wiring Diagram  | 10-01-196      | 10-01-494      | 10-01-494      | 10-01-209         | 10-01-209         |

NOTE: Quantities shown as a range (example = "2-4") are dependent upon the number of doors on a unit.

† Item used on units with mechanical controls only.

‡ Canadian 120 V units use power cord w/plug P/N 02.18.082.00.

The shaded areas contain information for **International models only**.

## PARTS SPECIFIC TO MODEL FSDT-1X AND FSDT-2X

| Item Description  | 120 V          | 220 V          | 240 V          | 220–230 V<br>(CE) | 230–240 V<br>(CE) |
|---|----------------|----------------|----------------|-------------------|-------------------|
| 35 Indicator Light, Humidity Cycle †  | 02.19.155.00   | 02.19.157.00   | 02.19.157.00   | 02.19.157.00      | 02.19.157.00      |
| 36 Indicator Light, Low Water †   | 02.19.154.00   | 02.19.151.00   | 02.19.151.00   | 02.19.151.00      | 02.19.151.00      |
| 37 Temperature Display †  | R02.16.057.00  | R02.16.058.00  | R02.16.058.00  | R02.16.058.00     | R02.16.058.00     |
| 38 Control Relay †  | 02.01.028.00   | 02.01.043.00   | 02.01.043.00   | 02.01.043.00      | 02.01.043.00      |
| 39 Side Glass Panel (Qty. 2–3)  | 04.40.114.00   | 04.40.114.00   | 04.40.114.00   | 04.40.114.00      | 04.40.114.00      |
| 40 Rack Motor   | ---            | ---            | ---            | ---               | ---               |
| 41 Transformer  | 02.17.022.00   | 02.17.023.00   | 02.17.023.00   | 02.17.023.00      | 02.17.023.00      |
| 42 Proximity Switch Assembly<br>(Qty. 1–2)                                      | ---            | ---            | ---            | ---               | ---               |
| 43 Ballast Assembly   | R02.30.132.00  | R02.30.132.00  | R02.30.132.00  | R02.30.132.00     | R02.30.132.00     |
| 44 Power Cord w/Plug ‡  | 02.18.084.00   | 02.18.109.00   | 02.18.120.00   | 02.18.109.00      | 02.18.120.00      |
| 45 Rocker Switch, On/Off  | 02.19.080.00   | 02.19.081.00   | 02.19.081.00   | 02.19.081.00      | 02.19.081.00      |
| 46 Door Assembly<br>(Qty. 1–2, includes items 10, 11,<br>14–16, 20, 22, and 48) | R04.40.115.00  | R04.40.115.00  | R04.40.115.00  | R04.40.115.00     | R04.40.115.00     |
| 47 Gasket Kit, Door (Qty. 1–2)  | R00.01.0135.00 | R00.01.0135.00 | R00.01.0135.00 | R00.01.0135.00    | R00.01.0135.00    |
| 48 Air Diffuser Tube  | 04.17.627.00   | 04.17.627.00   | 04.17.627.00   | 04.17.627.00      | 04.17.627.00      |
| 49 Blower Motor   | R02.12.001.00  | 02.12.006.00   | 02.12.006.00   | 02.12.006.00      | 02.12.006.00      |
| 50 Terminal Block, 3-Pole   | ---            | ---            | ---            | R02.15.030.00     | R02.15.030.00     |
| 51 Water Element, 325 W   | R02.05.006.00  | R02.05.016E.00 | R02.05.013E.00 | R02.05.016E.00    | R02.05.013E.00    |
| 52 Air Element, 1050 W  | R02.05.011.00  | R02.05.015E.00 | R02.05.012E.00 | R02.05.015E.00    | R02.05.012E.00    |
| 53 Cotter Pin   | 05.04.352.00   | 05.04.352.00   | 05.04.352.00   | 05.04.352.00      | 05.04.352.00      |
| 54 Rack Coupling w/Pins<br>(includes two of item 54)                            | ---            | ---            | ---            | ---               | ---               |
| 55 Motorless Rack Coupling w/Pin<br>(includes item 54)                          | R04.24.087.00  | R04.24.087.00  | R04.24.087.00  | R04.24.087.00     | R04.24.087.00     |
| 56 Circle Rack, 3 Tier (shown)  | ---            | ---            | ---            | ---               | ---               |
| Circle Rack, 4 Tier   | 04.17.641.00   | 04.17.641.00   | 04.17.641.00   | 04.17.641.00      | 04.17.641.00      |
| Circle Rack, 5 Tier   | 04.17.642.00   | 04.17.642.00   | 04.17.642.00   | 04.17.642.00      | 04.17.642.00      |
| 57 Multi-Purpose Rack, 5 Shelf  | ---            | ---            | ---            | ---               | ---               |
| Multi-Purpose Rack, 7 Shelf<br>(shown)  | R04.17.012.00  | R04.17.012.00  | R04.17.012.00  | R04.17.012.00     | R04.17.012.00     |
| 58 Pan Rack, 3 Tier (shown)   | 04.17.010.00   | 04.17.010.00   | 04.17.010.00   | 04.17.010.00      | 04.17.010.00      |
| Pan Rack, 5 Tier  | 04.17.027.00   | 04.17.027.00   | 04.17.027.00   | 04.17.027.00      | 04.17.027.00      |
| 59 Angle Rack, 3 Shelf  | R04.17.013.00  | R04.17.013.00  | R04.17.013.00  | R04.17.013.00     | R04.17.013.00     |
| Angle Rack, 5 Shelf (shown)   | R04.17.019.00  | R04.17.019.00  | R04.17.019.00  | R04.17.019.00     | R04.17.019.00     |
| 60 Pretzel Rack, 3 Tier   | 04.17.689.00   | 04.17.689.00   | 04.17.689.00   | 04.17.689.00      | 04.17.689.00      |
| Wiring Diagram  | 10-01-196      | 10-01-494      | 10-01-494      | 10-01-209         | 10-01-209         |

NOTE: Quantities shown as a range (example = "2–4") are dependent upon the number of doors on a unit.

† Item used on units with mechanical controls only.

‡ Canadian 120 V units use power cord w/plug P/N 02.18.082.00.

The shaded areas contain information for **International models only**.

# HATCO AUTHORIZED PARTS DISTRIBUTORS

## ALABAMA

Jones McLeod Appl. Svc.  
Birmingham 205-251-0159

## ARIZONA

Service Solutions Group  
Phoenix 602-234-2443

Byassee Equipment Co.  
Phoenix 602-252-0402

## CALIFORNIA

Industrial Electric  
Commercial Parts & Service, Inc.  
Huntington Beach 714-379-7100

Chapman Appl. Service  
San Diego 619-298-7106

P & D Appliance  
Commercial Parts & Service, Inc.  
S. San Francisco 650-635-1900

## COLORADO

Hawkins Commercial Appliance  
Englewood 303-781-5548

## FLORIDA

Whaley Foodservice Repair  
Jacksonville 904-725-7800

3Wire Nass Service Co., Inc.  
Orlando 407-425-2681

B.G.S.I.  
Pompano Beach 954-971-0456

Comm. Appliance Service  
Tampa 813-663-0313

## GEORGIA

TWC Services  
Mableton 770-438-9797

Heritage Service Group  
Norcross 866-388-9837

Southeastern Rest. Svc.  
Norcross 770-446-6177

## HAWAII

Burney's Comm. Service, Inc.  
Honolulu 808-848-1466

Food Equip Parts & Service  
Honolulu 808-847-4871

## ILLINOIS

Parts Town  
Lombard 708-865-7278

Eichenauer Elec. Service  
Decatur 217-429-4229

Midwest Elec. Appl. Service  
Elmhurst 630-279-8000

Cone's Repair Service  
Moline 309-797-5323

## INDIANA

GCS Service  
Indianapolis 317-545-9655

## IOWA

Electric Motor Service Co.  
Davenport 319-323-1823

Goodwin Tucker Group  
Des Moines 515-262-9308

## KENTUCKY

Service Solutions Group  
Lexington 859-254-8854

Service Solutions Group  
Louisville 502-451-5411

## LOUISIANA

Chandlers Parts & Service  
Baton Rouge 225-272-6620

## MARYLAND

Electric Motor Service  
Baltimore 410-467-8080

GCS Service  
Silver Spring 301-585-7550

## MASSACHUSETTS

Ace Service Co., Inc.  
Needham 781-449-4220

## MICHIGAN

Bildons Appliance Service  
Detroit 248-478-3320

Commercial Kitchen Service  
Bay City 517-893-4561

Midwest Food Equip. Service  
Grandville 616-261-2000

## MINNESOTA

GCS Service  
Plymouth 800-345-4221

## MISSOURI

General Parts  
Kansas City 816-421-5400

Commercial Kitchen Services  
St. Louis 314-890-0700

Kaemmerlen Parts & Service  
St. Louis 314-535-2222

## NEBRASKA

Anderson Electric  
Omaha 402-341-1414

## NEVADA

Burney's Commercial  
Las Vegas 702-736-0006

Hi. Tech Commercial Service  
N. Las Vegas 702-649-4616

## NEW JERSEY

Jay Hill Repair  
Fairfield 973-575-9145

Service Plus  
Flanders 973-691-6300

## NEW YORK

Acme American Repairs, Inc.  
Brooklyn 718-456-6544

Alpro Service Co.  
Brooklyn 718-386-2515

Appliance Installation  
Buffalo 716-884-7425

Duffy's Equipment Services, Inc.  
Buffalo 800-836-1014

3Wire Northern  
Plattsburgh 800-634-5005

Duffy's Equipment Services, Inc.  
Sauquoit 800-836-1014

J.B. Brady, Inc.  
Syracuse 315-422-9271

## NORTH CAROLINA

Authorized Appliance  
Charlotte 704-377-4501

## OHIO

Akron/Canton Comm. Svc. Inc.  
Akron 330-753-6635

Service Solutions Group  
Cincinnati 513-772-6600

Commercial Parts and Service  
Columbus 614-221-0057

Electrical Appl. Repair Service  
Brooklyn Heights 216-459-8700

E. A. Wichman Co.  
Toledo 419-385-9121

## OKLAHOMA

Hagar Rest. Service, Inc.  
Oklahoma City 405-235-2184

Krueger, Inc.  
Oklahoma City 405-528-8883

## OREGON

Ron's Service, Inc.  
Portland 503-624-0890

## PENNSYLVANIA

Elmer Schultz Services  
Philadelphia 215-627-5401

FAST Comm. Appl. Service  
Philadelphia 215-288-4800

Appliance Installation & Service  
Pittsburgh 412-809-0244

K & D Service Co.  
Harrisburg 717-236-9039

Electric Repair Co.  
Reading 610-376-5444

## RHODE ISLAND

Marshall Electric Co.  
Providence 401-331-1163

## SOUTH CAROLINA

Whaley Foodservice Repair  
W. Columbia 803-791-4420

## TENNESSEE

Camp Electric  
Memphis 901-527-7543

## TEXAS

GCS Service  
Fort Worth 800-433-1804

Armstrong Repair Service  
Houston 713-666-7100

Cooking Equipment Specialist  
Mesquite 888-866-9276

Refrigerated Specialist, Inc.  
Mesquite 888-866-9276

Commercial Kitchen Repair Co.  
San Antonio 210-735-2811

## UTAH

La Monica's Rest. Equip. Service  
Murray 801-263-3221

## VIRGINIA

Daubers  
Norfolk 757-855-4097

Daubers  
Springfield 703-866-3600

## WASHINGTON

3Wire Restaurant Appliance  
Seattle 800-207-3146

## WISCONSIN

A.S.C., Inc.  
Madison 608-246-3160

A.S.C., Inc.  
Milwaukee 414-543-6460

## CANADA

### ALBERTA

Key Food Equipment Service  
Edmonton 780-438-1690

### BRITISH COLUMBIA

Key Food Equipment Service  
Vancouver 604-433-4484

Key Food Equipment Service  
Victoria 250-920-4888

### MANITOBA

Air Rite, Inc.  
Winnipeg 204-895-2300

### NEW BRUNSWICK

EMR Services, Ltd.  
Moncton 506-855-4228

### ONTARIO

R.G. Henderson Ltd.  
Toronto 416-422-5580

Choquette - CKS, Inc.  
Ottawa 613-739-8458

### QUÉBEC

Choquette - CKS, Inc.  
Montreal 514-722-2000

Choquette - CKS, Inc.  
Québec City 418-681-3944

## UNITED KINGDOM

Marren Group  
Northants +44(0)1933 666233

HATCO CORPORATION  
P.O. Box 340500  
Milwaukee, WI 53234-0500 U.S.A.  
(800) 558-0607 (414) 671-6350  
Parts and Service Fax (800) 690-2966  
International Fax (414) 671-3976  
partsandservice@hatcocorp.com  
www.hatcocorp.com