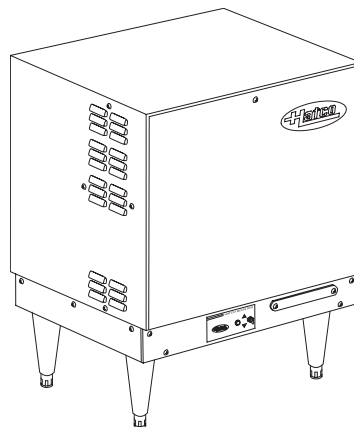




IMPERIAL BOOSTER Electric Water Heater

S Series

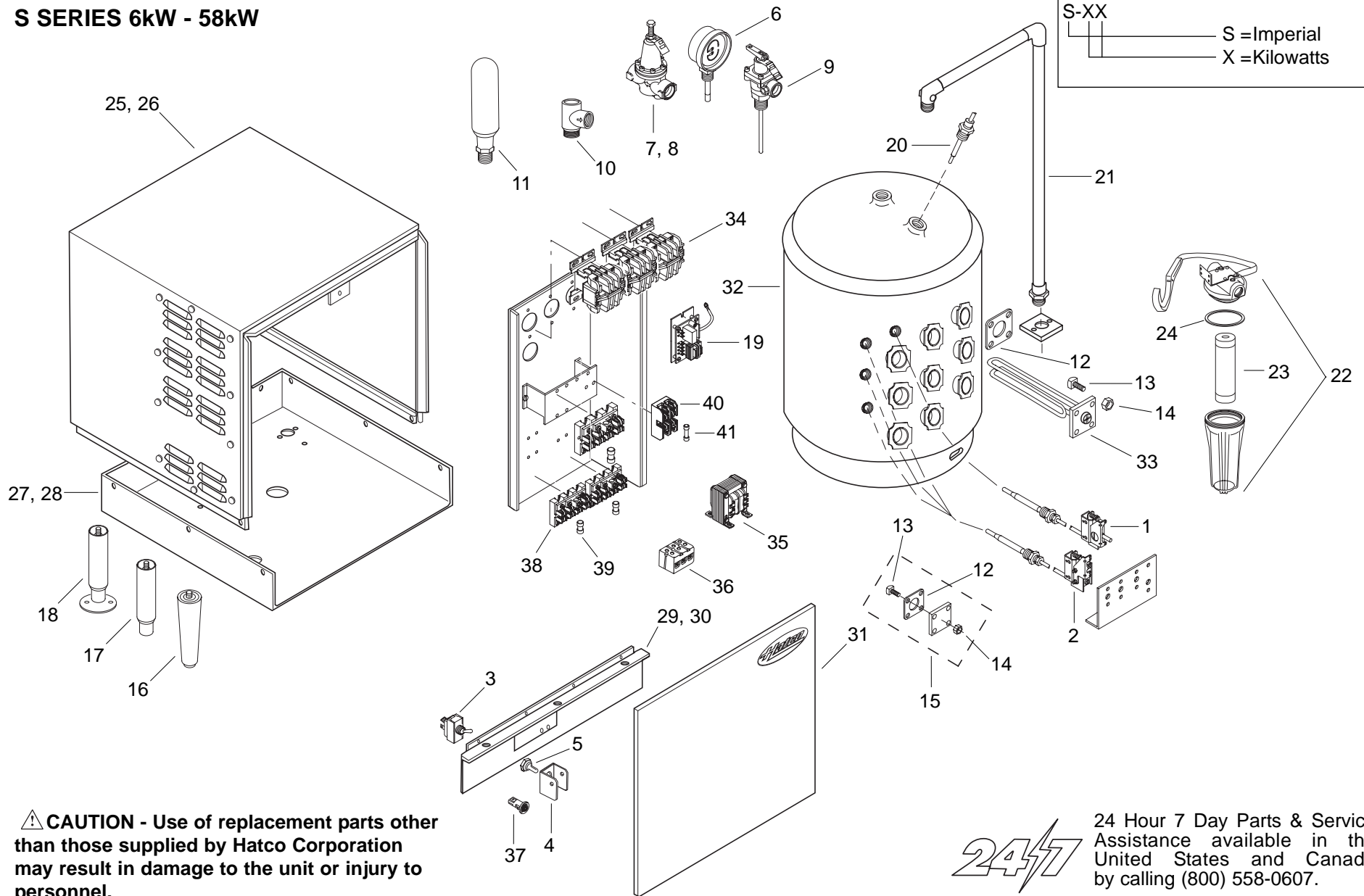
S-6	S-17	S-39
S-7	S-18	S-40
S-9	S-24	S-45
S-12	S-27	S-54
S-13	S-30	S-57
S-15	S-36	S-58



REPLACEMENT PARTS LIST

HATCO IMPERIAL ELECTRIC BOOSTER HEATER S SERIES 6kW - 58kW

Model Designation
S-XX
 S = Imperial
 X = Kilowatts



⚠ CAUTION - Use of replacement parts other than those supplied by Hatco Corporation may result in damage to the unit or injury to personnel.



24 Hour 7 Day Parts & Service Assistance available in the United States and Canada by calling (800) 558-0607.

**PARTS COMMON TO ALL
IMPERIAL BOOSTER MODELS
6kW-58kW**

ITEM	DESCRIPTION	PART NO.	QTY.
1	High Limit, Safety Thermostat	02.16.116.00	1
2	Thermostat, Control	02.16.024.00	1-3
3	On/Off Toggle Switch	R02.19.008A.00	1
4	Guard, Toggle Switch	04.01.038.00	1
5	Toggle Switch Boot, Rubber	02.20.040.00	1
6	Temperature/Pressure Gauge	03.01.003.00	2
7	Pressure Reducing Valve, Iron	03.02.004.00	1
8	Pressure Reducing Valve, Brass (Optional)	03.02.015.00	1
9	Temperature/Pressure Relief Valve	03.02.022.00	1
10	Back Pressure Relief Valve (Optional)	03.02.039.00	1
11	Shock Absorber (Optional)	03.40.057.00	1
12	Gasket, Heating Element	02.11.012.00	1-9
13	Bolt, Element Mounting	05.04.022.00	4-36
14	Nut, Element Mounting	05.04.028.00	4-36
15	Blank Element Flange with Gasket and Hardware	R02.11.013.00	1-2
16	Leg, Plastic	05.30.069.00*	4
17	Leg, S.S.	05.30.070.00*	4
18	Leg, Deck Mount S.S. (Optional)	05.30.073.00*	4
19	Low Water Cut Off Board	R02.01.210.00	1
20	Probe, Low Water Cut Off	02.40.001.00	1
21	Heat Trap Assembly	03.50.001.00	1
22	Water Treatment Canister and Cartridge (Optional)	03.05.061.00	1
23	Cartridge Only	03.05.061A.00	1
24	O-Ring	03.05.061B.00	1

* Units manufactured during or before July 1999 use part number 05.30.008.00 for the plastic leg, 04.01.013.00 for the S.S. leg and 04.01.014.00 for the S.S. deck mount leg.

**IMPERIAL BOOSTER
SHEET METAL BODY PARTS**

ITEM	DESCRIPTION	PART NO.
25	Jacket, Painted	R04.03.024.00
26	Jacket, S.S. (Optional)	R04.03.031.00
27	Base, Painted	R04.03.002P.00
28	Base, S.S. (Optional)	R04.03.004.00
29	Base, Front, Painted	R04.03.030.00
30	Base, Front, S.S. (Optional)	R04.03.032.00
31	Front Cover, S.S.	R04.03.025.00

NOTE: S.S. is an abbreviation for stainless steel.

NOTE: Part numbers listed for sheet metal body parts apply only to units manufactured during or after October 1996. Consult factory with model and serial number for units manufactured before October 1996.

NOTE: The last four digits in a ten digit numerical serial number is the manufacturing date code.

Example: Serial number 1021059907 has a date code of 9907 which indicates the following: 9907

└── Year 1999
 └── Month seven, July

Please also note, effective January 2001 the serial number date code was changed to reflect the year and week of manufacture.

Example: xxxxxx 0124

└── Year 2001
 └── Week twenty-four

PARTS SPECIFIC TO MODEL S-6

ITEM	DESCRIPTION	208V	208V	240V	240V	480V	480V	208V	208V
		Single Phase	Three Phase	Single Phase	Three Phase	Single Phase	Three Phase	Single Phase	Three Phase
32	Tank with Gaskets	R01.02.007S.00	R01.02.007S.00	R01.02.007S.00	R01.02.007S.00	---	R01.02.007S.00	R01.02.007S.00	R01.02.007S.00
33	Heating Element	R02.04.302.00	R02.04.302.00	R02.04.303.00	R02.04.303.00	---	R02.04.305.00	R02.04.302.00	R02.04.302.00
	Quantity	2	2	2	2	---	2	2	2
34	Contactator	02.01.015.00	02.01.015.00	02.01.015.00	02.01.015.00	---	02.01.015.00	02.01.016.00	02.01.016.00
	Quantity	1	1	1	1	---	1	1	1
35	Transformer, Step Down	02.17.004.00	02.17.004.00	02.17.004.00	02.17.004.00	---	02.17.005.00	---	---
36	Terminal Block	R02.15.046.00	R02.15.046.00	R02.15.046.00	R02.15.046.00	---	---	R02.15.046.00	R02.15.046.00
37	Indicator Light, Red	02.19.154.00	02.19.154.00	02.19.154.00	02.19.154.00	---	02.19.154.00	02.19.151.00	02.19.151.00
38A	Power Fuse Block	---	---	---	---	---	---	---	---
	Quantity	---	---	---	---	---	---	---	---
38B	Power Fuse Block	---	---	---	---	---	---	---	---
	Quantity	---	---	---	---	---	---	---	---
38C	Power Fuse Block	---	---	---	---	---	---	---	---
	Quantity	---	---	---	---	---	---	---	---
38D	Power Fuse Block	---	---	---	---	---	---	---	---
	Quantity	---	---	---	---	---	---	---	---
38E	Power Fuse Block	---	---	---	---	---	---	---	---
	Quantity	---	---	---	---	---	---	---	---
39A	Power Fuse (2 Pack)	---	---	---	---	---	---	---	---
	Quantity	---	---	---	---	---	---	---	---
39B	Power Fuse (2 Pack)	---	---	---	---	---	---	---	---
	Quantity	---	---	---	---	---	---	---	---
39C	Power Fuse (2 Pack)	---	---	---	---	---	---	---	---
	Quantity	---	---	---	---	---	---	---	---
39D	Power Fuse (2 Pack)	---	---	---	---	---	---	---	---
	Quantity	---	---	---	---	---	---	---	---
40	Control Fuse Block	02.03.022.00	02.03.022.00	02.03.022.00	02.03.022.00	---	02.03.023.00	02.03.004.00	02.03.004.00
41	Control Fuse (2 Pack)	R02.03.014.02	R02.03.014.02	R02.03.014.02	R02.03.014.02	---	R02.03.013.02	R02.03.001.02	R02.03.001.02
	Electrical Diagram	HC1-2455	HC1-2455	HC1-2455	HC1-2455	---	HC1-2455	HC1-391	HC1-391

Shaded area reflects **export models only**.

PARTS SPECIFIC TO MODEL S-6

ITEM	DESCRIPTION	240V	240V	380V	415V	600V
		Single Phase	Three Phase	Three Phase	Three Phase	Three Phase
32	Tank with Gaskets	R01.02.007S.00	R01.02.007S.00	R01.02.007S.00	R01.02.007S.00	R01.02.007S.00
33	Heating Element	R02.04.303.00	R02.04.303.00	R02.04.510.00	R02.04.452.00	R02.04.404.00
	Quantity	2	2	3	3	3
34	Contactors	02.01.016.00	02.01.016.00	02.01.016.00	02.01.016.00	02.01.016.00
	Quantity	1	1	1	1	1
35	Transformer, Step Down	---	---	R02.17.003.00	R02.17.002.00	02.17.009.00
36	Terminal Block	R02.15.046.00	R02.15.046.00	---	---	---
37	Indicator Light, Red	02.19.151.00	02.19.151.00	02.19.151.00	02.19.151.00	02.19.151.00
38A	Power Fuse Block	---	---	---	---	---
	Quantity	---	---	---	---	---
38B	Power Fuse Block	---	---	---	---	---
	Quantity	---	---	---	---	---
38C	Power Fuse Block	---	---	---	---	---
	Quantity	---	---	---	---	---
38D	Power Fuse Block	---	---	---	---	---
	Quantity	---	---	---	---	---
38E	Power Fuse Block	---	---	---	---	---
	Quantity	---	---	---	---	---
39A	Power Fuse (2 Pack)	---	---	---	---	---
	Quantity	---	---	---	---	---
39B	Power Fuse (2 Pack)	---	---	---	---	---
	Quantity	---	---	---	---	---
39C	Power Fuse (2 Pack)	---	---	---	---	---
	Quantity	---	---	---	---	---
39D	Power Fuse (2 Pack)	---	---	---	---	---
	Quantity	---	---	---	---	---
40	Control Fuse Block	02.03.004.00	02.03.004.00	---	---	02.03.016.00
41	Control Fuse (2 Pack)	R02.03.001.02	R02.03.001.02	R02.03.005.02	R02.03.005A.02	R02.03.021.02
	Electrical Diagram	HC1-391	HC1-391	HC1-396	HC1-396	HC1-396

Shaded area reflects **export models only**.

PARTS SPECIFIC TO MODEL S-7

ITEM	DESCRIPTION	208V	208V	240V	240V	480V	480V	208V	208V
		Single Phase	Three Phase	Single Phase	Three Phase	Single Phase	Three Phase	Single Phase	Three Phase
32	Tank with Gaskets	R01.02.007S.00	R01.02.007S.00	R01.02.007S.00	R01.02.007S.00	---	R01.02.007S.00	R01.02.007S.00	R01.02.007S.00
33	Heating Element	R02.04.350.00	R02.04.350.00	R02.04.351.00	R02.04.351.00	---	R02.04.352.00	R02.04.350.00	R02.04.350.00
	Quantity	2	2	2	2	---	2	2	2
34	Contactora	02.01.015.00	02.01.015.00	02.01.015.00	02.01.015.00	---	02.01.015.00	02.01.016.00	02.01.016.00
	Quantity	1	1	1	1	---	1	1	1
35	Transformer, Step Down	02.17.004.00	02.17.004.00	02.17.004.00	02.17.004.00	---	02.17.005.00	---	---
36	Terminal Block	R02.15.046.00	R02.15.046.00	R02.15.046.00	R02.15.046.00	---	---	R02.15.046.00	R02.15.046.00
37	Indicator Light, Red	02.19.154.00	02.19.154.00	02.19.154.00	02.19.154.00	---	02.19.154.00	02.19.151.00	02.19.151.00
38A	Power Fuse Block	---	---	---	---	---	---	---	---
	Quantity	---	---	---	---	---	---	---	---
38B	Power Fuse Block	---	---	---	---	---	---	---	---
	Quantity	---	---	---	---	---	---	---	---
38C	Power Fuse Block	---	---	---	---	---	---	---	---
	Quantity	---	---	---	---	---	---	---	---
38D	Power Fuse Block	---	---	---	---	---	---	---	---
	Quantity	---	---	---	---	---	---	---	---
38E	Power Fuse Block	---	---	---	---	---	---	---	---
	Quantity	---	---	---	---	---	---	---	---
39A	Power Fuse (2 Pack)	---	---	---	---	---	---	---	---
	Quantity	---	---	---	---	---	---	---	---
39B	Power Fuse (2 Pack)	---	---	---	---	---	---	---	---
	Quantity	---	---	---	---	---	---	---	---
39C	Power Fuse (2 Pack)	---	---	---	---	---	---	---	---
	Quantity	---	---	---	---	---	---	---	---
39D	Power Fuse (2 Pack)	---	---	---	---	---	---	---	---
	Quantity	---	---	---	---	---	---	---	---
40	Control Fuse Block	02.03.022.00	02.03.022.00	02.03.022.00	02.03.022.00	---	02.03.023.00	02.03.004.00	02.03.004.00
41	Control Fuse (2 Pack)	R02.03.014.02	R02.03.014.02	R02.03.014.02	R02.03.014.02	---	R02.03.013.02	R02.03.001.02	R02.03.001.02
	Electrical Diagram	HC1-2455	HC1-2455	HC1-2455	HC1-2455	---	HC1-2455	HC1-391	HC1-391

Shaded area reflects **export models only**.

PARTS SPECIFIC TO MODEL S-7

ITEM	DESCRIPTION	240V	240V	380V	415V	600V
		Single Phase	Three Phase	Three Phase	Three Phase	Three Phase
32	Tank with Gaskets	R01.02.007S.00	R01.02.007S.00	R01.02.007S.00	R01.02.007S.00	R01.02.007S.00
33	Heating Element	R02.04.351.00	R02.04.351.00	R02.04.303.00	R02.04.510.00	R02.04.502.00
	Quantity	2	2	3	3	3
34	Contactator	02.01.016.00	02.01.016.00	02.01.016.00	02.01.016.00	02.01.016.00
	Quantity	1	1	1	1	1
35	Transformer, Step Down	---	---	R02.17.003.00	R02.17.002.00	02.17.009.00
36	Terminal Block	R02.15.046.00	R02.15.046.00	---	---	---
37	Indicator Light, Red	02.19.151.00	02.19.151.00	02.19.151.00	02.19.151.00	02.19.151.00
38A	Power Fuse Block	---	---	---	---	---
	Quantity	---	---	---	---	---
38B	Power Fuse Block	---	---	---	---	---
	Quantity	---	---	---	---	---
38C	Power Fuse Block	---	---	---	---	---
	Quantity	---	---	---	---	---
38D	Power Fuse Block	---	---	---	---	---
	Quantity	---	---	---	---	---
38E	Power Fuse Block	---	---	---	---	---
	Quantity	---	---	---	---	---
39A	Power Fuse (2 Pack)	---	---	---	---	---
	Quantity	---	---	---	---	---
39B	Power Fuse (2 Pack)	---	---	---	---	---
	Quantity	---	---	---	---	---
39C	Power Fuse (2 Pack)	---	---	---	---	---
	Quantity	---	---	---	---	---
39D	Power Fuse (2 Pack)	---	---	---	---	---
	Quantity	---	---	---	---	---
40	Control Fuse Block	02.03.004.00	02.03.004.00	---	---	02.03.016.00
41	Control Fuse (2 Pack)	R02.03.001.02	R02.03.001.02	R02.03.005.02	R02.03.005A.02	R02.03.021.02
	Electrical Diagram	HC1-391	HC1-391	HC1-396	HC1-396	HC1-396

Shaded area reflects **export models only**.

PARTS SPECIFIC TO MODEL S-9

ITEM	DESCRIPTION	208V	208V	240V	240V	480V	480V	208V	208V
		Single Phase	Three Phase	Single Phase	Three Phase	Single Phase	Three Phase	Single Phase	Three Phase
32	Tank with Gaskets	R01.02.007S.00	R01.02.007S.00	R01.02.007S.00	R01.02.007S.00	---	R01.02.007S.00	R01.02.007S.00	R01.02.007S.00
33	Heating Element	R02.04.450.00	R02.04.450.00	R02.04.451.00	R02.04.451.00	---	R02.04.453.00	R02.04.450.00	R02.04.450.00
	Quantity	2	2	2	2	---	2	2	2
34	Contactora	02.01.015.00	02.01.015.00	02.01.015.00	02.01.015.00	---	02.01.015.00	02.01.016.00	02.01.016.00
	Quantity	1	1	1	1	---	1	1	1
35	Transformer, Step Down	02.17.004.00	02.17.004.00	02.17.004.00	02.17.004.00	---	02.17.005.00	---	---
36	Terminal Block	R02.15.046.00	R02.15.046.00	R02.15.046.00	R02.15.046.00	---	---	R02.15.046.00	R02.15.046.00
37	Indicator Light, Red	02.19.154.00	02.19.154.00	02.19.154.00	02.19.154.00	---	02.19.154.00	02.19.151.00	02.19.151.00
38A	Power Fuse Block	---	---	---	---	---	---	---	---
	Quantity	---	---	---	---	---	---	---	---
38B	Power Fuse Block	---	---	---	---	---	---	---	---
	Quantity	---	---	---	---	---	---	---	---
38C	Power Fuse Block	---	---	---	---	---	---	---	---
	Quantity	---	---	---	---	---	---	---	---
38D	Power Fuse Block	---	---	---	---	---	---	---	---
	Quantity	---	---	---	---	---	---	---	---
38E	Power Fuse Block	---	---	---	---	---	---	---	---
	Quantity	---	---	---	---	---	---	---	---
39A	Power Fuse (2 Pack)	---	---	---	---	---	---	---	---
	Quantity	---	---	---	---	---	---	---	---
39B	Power Fuse (2 Pack)	---	---	---	---	---	---	---	---
	Quantity	---	---	---	---	---	---	---	---
39C	Power Fuse (2 Pack)	---	---	---	---	---	---	---	---
	Quantity	---	---	---	---	---	---	---	---
39D	Power Fuse (2 Pack)	---	---	---	---	---	---	---	---
	Quantity	---	---	---	---	---	---	---	---
40	Control Fuse Block	02.03.022.00	02.03.022.00	02.03.022.00	02.03.022.00	---	02.03.022.00	02.03.004.00	02.03.004.00
41	Control Fuse (2 Pack)	R02.03.014.02	R02.03.014.02	R02.03.014.02	R02.03.014.02	---	R02.03.013.02	R02.03.001.02	R02.03.001.02
	Electrical Diagram	HC1-2455	HC1-2455	HC1-2455	HC1-2455	---	HC1-2455	HC1-391	HC1-391

Shaded area reflects **export models only**.

PARTS SPECIFIC TO MODEL S-9

ITEM	DESCRIPTION	240V	240V	380V	415V	600V
		Single Phase	Three Phase	Three Phase	Three Phase	Three Phase
32	Tank with Gaskets	R01.02.007S.00	R01.02.007S.00	R01.02.007S.00	R01.02.007S.00	R01.02.007S.00
33	Heating Element	R02.04.451.00	R02.04.451.00	R02.04.351.00	R02.04.303.00	R02.04.304.00
	Quantity	2	2	3	3	3
34	Contactora	02.01.016.00	02.01.016.00	02.01.016.00	02.01.016.00	02.01.016.00
	Quantity	1	1	1	1	1
35	Transformer, Step Down	---	---	R02.17.003.00	R02.17.002.00	02.17.009.00
36	Terminal Block	R02.15.046.00	R02.15.046.00	---	---	---
37	Indicator Light, Red	02.19.151.00	02.19.151.00	02.19.151.00	02.19.151.00	02.19.151.00
38A	Power Fuse Block	---	---	---	---	---
	Quantity	---	---	---	---	---
38B	Power Fuse Block	---	---	---	---	---
	Quantity	---	---	---	---	---
38C	Power Fuse Block	---	---	---	---	---
	Quantity	---	---	---	---	---
38D	Power Fuse Block	---	---	---	---	---
	Quantity	---	---	---	---	---
38E	Power Fuse Block	---	---	---	---	---
	Quantity	---	---	---	---	---
39A	Power Fuse (2 Pack)	---	---	---	---	---
	Quantity	---	---	---	---	---
39B	Power Fuse (2 Pack)	---	---	---	---	---
	Quantity	---	---	---	---	---
39C	Power Fuse (2 Pack)	---	---	---	---	---
	Quantity	---	---	---	---	---
39D	Power Fuse (2 Pack)	---	---	---	---	---
	Quantity	---	---	---	---	---
40	Control Fuse Block	02.03.004.00	02.03.004.00	---	---	02.03.016.00
41	Control Fuse (2 Pack)	R02.03.001.02	R02.03.001.02	R02.03.005.02	R02.03.005A.02	R02.03.021.02
	Electrical Diagram	HC1-391	HC1-391	HC1-396	HC1-396	HC1-396

Shaded area reflects **export models only**.

PARTS SPECIFIC TO MODEL S-12

ITEM	DESCRIPTION	208V	208V	240V	240V	480V	480V	208V	208V
		Single Phase	Three Phase	Single Phase	Three Phase	Single Phase	Three Phase	Single Phase	Three Phase
32	Tank with Gaskets	R01.02.007S.00	R01.02.007S.00	R01.02.007S.00	R01.02.007S.00	---	R01.02.007S.00	R01.02.007S.00	R01.02.007S.00
33	Heating Element	R02.04.400.00	R02.04.400.00	R02.04.401.00	R02.04.401.00	---	R02.04.404.00	R02.04.400.00	R02.04.400.00
	Quantity	3	3	3	3	---	3	3	3
34	Contactora	02.01.017.00	02.01.015.00	02.01.017.00	02.01.015.00	---	02.01.015.00	02.01.018.00	02.01.018.00
	Quantity	1	1	1	1	---	1	1	1
35	Transformer, Step Down	02.17.004.00	02.17.004.00	02.17.004.00	02.17.004.00	---	02.17.005.00	---	---
36	Terminal Block	---	R02.15.046.00	---	R02.15.046.00	---	---	R02.15.046.00	R02.15.046.00
37	Indicator Light, Red	02.19.154.00	02.19.154.00	02.19.154.00	02.19.154.00	---	02.19.154.00	02.19.151.00	02.19.151.00
38A	Power Fuse Block	02.41.005.00	---	02.41.005.00	---	---	---	---	---
	Quantity	1	---	1	---	---	---	---	---
38B	Power Fuse Block	---	---	---	---	---	---	---	---
	Quantity	---	---	---	---	---	---	---	---
38C	Power Fuse Block	---	---	---	---	---	---	---	---
	Quantity	---	---	---	---	---	---	---	---
38D	Power Fuse Block	---	---	---	---	---	---	---	---
	Quantity	---	---	---	---	---	---	---	---
38E	Power Fuse Block	---	---	---	---	---	---	---	---
	Quantity	---	---	---	---	---	---	---	---
39A	Power Fuse (2 Pack) (35 Amp)	R02.03.030.02	---	R02.03.030.02	---	---	---	---	---
	Quantity	1	---	1	---	---	---	---	---
39B	Power Fuse (2 Pack) (50 Amp)	R02.03.032.02	---	R02.03.032.02	---	---	---	---	---
	Quantity	1	---	1	---	---	---	---	---
39C	Power Fuse (2 Pack)	---	---	---	---	---	---	---	---
	Quantity	---	---	---	---	---	---	---	---
39D	Power Fuse (2 Pack)	---	---	---	---	---	---	---	---
	Quantity	---	---	---	---	---	---	---	---
40	Control Fuse Block	02.03.022.00	02.03.022.00	02.03.022.00	02.03.022.00	---	02.03.023.00	02.03.004.00	02.03.004.00
41	Control Fuse (2 Pack)	R02.03.014.02	R02.03.014.02	R02.03.014.02	R02.03.014.02	---	R02.03.013.02	R02.03.001.02	R02.03.001.02
	Electrical Diagram	HS1-2073	HC1-2465	HS1-2073	HC1-2465	---	HC1-2465	HC1-390	HC1-390

Shaded area reflects **export models only**.

PARTS SPECIFIC TO MODEL S-12

ITEM	DESCRIPTION	240V	240V	380V	415V	600V
		Single Phase	Three Phase	Three Phase	Three Phase	Three Phase
32	Tank with Gaskets	R01.02.007S.00	R01.02.007S.00	R01.02.007S.00	R01.02.007S.00	R01.02.007S.00
33	Heating Element	R02.04.401.00	R02.04.401.00	R02.04.501.00	R02.04.401.00	R02.04.402.00
	Quantity	3	3	3	3	3
34	Contactator	02.01.018.00	02.01.018.00	02.01.016.00	02.01.016.00	02.01.016.00
	Quantity	1	1	1	1	1
35	Transformer, Step Down	---	---	R02.17.003.00	R02.17.002.00	02.17.009.00
36	Terminal Block	R02.15.046.00	R02.15.046.00	---	---	---
37	Indicator Light, Red	02.19.151.00	02.19.151.00	02.19.151.00	02.19.151.00	02.19.151.00
38A	Power Fuse Block	---	---	---	---	---
	Quantity	---	---	---	---	---
38B	Power Fuse Block	---	---	---	---	---
	Quantity	---	---	---	---	---
38C	Power Fuse Block	---	---	---	---	---
	Quantity	---	---	---	---	---
38D	Power Fuse Block	---	---	---	---	---
	Quantity	---	---	---	---	---
38E	Power Fuse Block	---	---	---	---	---
	Quantity	---	---	---	---	---
39A	Power Fuse (2 Pack)	---	---	---	---	---
	Quantity	---	---	---	---	---
39B	Power Fuse (2 Pack)	---	---	---	---	---
	Quantity	---	---	---	---	---
39C	Power Fuse (2 Pack)	---	---	---	---	---
	Quantity	---	---	---	---	---
39D	Power Fuse (2 Pack)	---	---	---	---	---
	Quantity	---	---	---	---	---
40	Control Fuse Block	02.03.004.00	02.03.004.00	---	---	02.03.016.00
41	Control Fuse (2 Pack)	R02.03.001.02	R02.03.001.02	R02.03.005.02	R02.03.005A.02	R02.03.021.02
	Electrical Diagram	HC1-390	HC1-390	HC1-396	HC1-396	HC1-396

Shaded area reflects **export models only**.

PARTS SPECIFIC TO MODEL S-13

ITEM	DESCRIPTION	208V	208V	240V	240V	480V	480V	208V	208V
		Single Phase	Three Phase	Single Phase	Three Phase	Single Phase	Three Phase	Single Phase	Three Phase
32	Tank with Gaskets	R01.02.007S.00	R01.02.007S.00	R01.02.007S.00	R01.02.007S.00	---	R01.02.007S.00	R01.02.007S.00	R01.02.007S.00
33	Heating Element	R02.04.450.00	R02.04.450.00	R02.04.451.00	R02.04.451.00	---	R02.04.453.00	R02.04.450.00	R02.04.450.00
	Quantity	3	3	3	3	---	3	3	3
34	Contactora	02.01.017.00	02.01.015.00	02.01.017.00	02.01.015.00	---	02.01.015.00	02.01.018.00	02.01.018.00
	Quantity	1	1	1	1	---	1	1	1
35	Transformer, Step Down	02.17.004.00	02.17.004.00	02.17.004.00	02.17.004.00	---	02.17.005.00	---	---
36	Terminal Block	---	R02.15.046.00	---	R02.15.046.00	---	---	R02.15.046.00	R02.15.046.00
37	Indicator Light, Red	02.19.154.00	02.19.154.00	02.19.154.00	02.19.154.00	---	02.19.154.00	02.19.151.00	02.19.151.00
38A	Power Fuse Block	02.41.005.00	---	02.41.005.00	---	---	---	---	---
	Quantity	1	---	1	---	---	---	---	---
38B	Power Fuse Block	---	---	---	---	---	---	---	---
	Quantity	---	---	---	---	---	---	---	---
38C	Power Fuse Block	---	---	---	---	---	---	---	---
	Quantity	---	---	---	---	---	---	---	---
38D	Power Fuse Block	---	---	---	---	---	---	---	---
	Quantity	---	---	---	---	---	---	---	---
38E	Power Fuse Block	---	---	---	---	---	---	---	---
	Quantity	---	---	---	---	---	---	---	---
39A	Power Fuse (2 Pack) (35 Amp)	R02.03.030.02	---	R02.03.030.02	---	---	---	---	---
	Quantity	1	---	1	---	---	---	---	---
39B	Power Fuse (2 Pack) (50 Amp)	R02.03.032.02	---	R02.03.032.02	---	---	---	---	---
	Quantity	1	---	1	---	---	---	---	---
39C	Power Fuse (2 Pack)	---	---	---	---	---	---	---	---
	Quantity	---	---	---	---	---	---	---	---
39D	Power Fuse (2 Pack)	---	---	---	---	---	---	---	---
	Quantity	---	---	---	---	---	---	---	---
40	Control Fuse Block	02.03.022.00	02.03.022.00	02.03.022.00	02.03.022.00	---	02.03.023.00	02.03.004.00	02.03.004.00
41	Control Fuse (2 Pack)	R02.03.014.02	R02.03.014.02	R02.03.014.02	R02.03.014.02	---	R02.03.013.02	R02.03.001.02	R02.03.001.02
	Electrical Diagram	HS1-2073	HC1-2465	HS1-2073	HC1-2465	---	HC1-2465	HC1-390	HC1-390

Shaded area reflects **export models only**.

PARTS SPECIFIC TO MODEL S-13

ITEM	DESCRIPTION	240V	240V	380V	415V	600V
		Single Phase	Three Phase	Three Phase	Three Phase	Three Phase
32	Tank with Gaskets	R01.02.007S.00	R01.02.007S.00	---	R01.02.007S.00	R01.02.007S.00
33	Heating Element	R02.04.451.00	R02.04.451.00	---	R02.04.451.00	R02.04.353.00
	Quantity	3	3	---	3	3
34	Contactors	02.01.018.00	02.01.018.00	---	02.01.016.00	02.01.016.00
	Quantity	1	1	---	1	1
35	Transformer, Step Down	---	---	---	R02.17.002.00	02.17.009.00
36	Terminal Block	R02.15.046.00	R02.15.046.00	---	---	---
37	Indicator Light, Red	02.19.151.00	02.19.151.00	---	02.19.151.00	02.19.151.00
38A	Power Fuse Block	---	---	---	---	---
	Quantity	---	---	---	---	---
38B	Power Fuse Block	---	---	---	---	---
	Quantity	---	---	---	---	---
38C	Power Fuse Block	---	---	---	---	---
	Quantity	---	---	---	---	---
38D	Power Fuse Block	---	---	---	---	---
	Quantity	---	---	---	---	---
38E	Power Fuse Block	---	---	---	---	---
	Quantity	---	---	---	---	---
39A	Power Fuse (2 Pack)	---	---	---	---	---
	Quantity	---	---	---	---	---
39B	Power Fuse (2 Pack)	---	---	---	---	---
	Quantity	---	---	---	---	---
39C	Power Fuse (2 Pack)	---	---	---	---	---
	Quantity	---	---	---	---	---
39D	Power Fuse (2 Pack)	---	---	---	---	---
	Quantity	---	---	---	---	---
40	Control Fuse Block	02.03.004.00	02.03.004.00	---	---	02.03.016.00
41	Control Fuse (2 Pack)	R02.03.001.02	R02.03.001.02	---	R02.03.001.02	R02.03.021.02
	Electrical Diagram	HC1-390	HC1-390	---	HC1-396	HC1-396

Shaded area reflects **export models only**.

PARTS SPECIFIC TO MODEL S-15

ITEM	DESCRIPTION	208V	208V	240V	240V	480V	480V	208V	208V
		Single Phase	Three Phase	Single Phase	Three Phase	Single Phase	Three Phase	Single Phase	Three Phase
32	Tank with Gaskets	R01.02.007S.00	R01.02.007S.00	R01.02.007S.00	R01.02.007S.00	---	R01.02.007S.00	R01.02.007S.00	R01.02.007S.00
33	Heating Element	R02.04.500.00	R02.04.500.00	R02.04.501.00	R02.04.501.00	---	R02.04.502.00	R02.04.500.00	R02.04.500.00
	Quantity	3	3	3	3	---	3	3	3
34	Contactora	02.01.017.00	02.01.015.00	02.01.017.00	02.01.015.00	---	02.01.015.00	02.01.018.00	02.01.018.00
	Quantity	1	1	1	1	---	1	1	1
35	Transformer, Step Down	02.17.004.00	02.17.004.00	02.17.004.00	02.17.004.00	---	02.17.005.00	---	---
36	Terminal Block	---	R02.15.046.00	---	R02.15.046.00	---	---	R02.15.046.00	R02.15.046.00
37	Indicator Light, Red	02.19.154.00	02.19.154.00	02.19.154.00	02.19.154.00	---	02.19.154.00	02.19.151.00	02.19.151.00
38A	Power Fuse Block	02.41.005.00	---	02.41.005.00	---	---	---	---	---
	Quantity	1	---	1	---	---	---	---	---
38B	Power Fuse Block	---	---	---	---	---	---	---	---
	Quantity	---	---	---	---	---	---	---	---
38C	Power Fuse Block	---	---	---	---	---	---	---	---
	Quantity	---	---	---	---	---	---	---	---
38D	Power Fuse Block	---	---	---	---	---	---	---	---
	Quantity	---	---	---	---	---	---	---	---
38E	Power Fuse Block	---	---	---	---	---	---	---	---
	Quantity	---	---	---	---	---	---	---	---
39A	Power Fuse (2 Pack) (35 Amp)	R02.03.030.02	---	R02.03.030.02	---	---	---	---	---
	Quantity	1	---	1	---	---	---	---	---
39B	Power Fuse (2 Pack) (60 Amp)	R02.03.033.02	---	R02.03.033.02	---	---	---	---	---
	Quantity	1	---	1	---	---	---	---	---
39C	Power Fuse (2 Pack)	---	---	---	---	---	---	---	---
	Quantity	---	---	---	---	---	---	---	---
39D	Power Fuse (2 Pack)	---	---	---	---	---	---	---	---
	Quantity	---	---	---	---	---	---	---	---
40	Control Fuse Block	02.03.022.00	02.03.022.00	02.03.022.00	02.03.022.00	---	02.03.023.00	02.03.004.00	02.03.004.00
41	Control Fuse (2 Pack)	R02.03.014.02	R02.03.014.02	R02.03.014.02	R02.03.014.02	---	R02.03.013.02	R02.03.001.02	R02.03.001.02
	Electrical Diagram	HS1-2073	HC1-2465	HS1-2073	HC1-2465	---	HC1-2465	HC1-390	HC1-390

Shaded area reflects **export models only**.

PARTS SPECIFIC TO MODEL S-15

ITEM	DESCRIPTION	240V	240V	380V	415V	600V
		Single Phase	Three Phase	Three Phase	Three Phase	Three Phase
32	Tank with Gaskets	R01.02.007S.00	R01.02.007S.00	R01.02.007S.00	R01.02.007S.00	R01.02.007S.00
33	Heating Element	R02.04.501.00	R02.04.501.00	R02.04.603.00	R02.04.501.00	R02.04.510.00
	Quantity	3	3	3	3	3
34	Contactator	02.01.018.00	02.01.018.00	02.01.016.00	02.01.016.00	02.01.016.00
	Quantity	1	1	1	1	1
35	Transformer, Step Down	---	---	R02.17.003.00	R02.17.002.00	02.17.009.00
36	Terminal Block	R02.15.046.00	R02.15.046.00	---	---	---
37	Indicator Light, Red	02.19.151.00	02.19.151.00	02.19.151.00	02.19.151.00	02.19.151.00
38A	Power Fuse Block	---	---	---	---	---
	Quantity	---	---	---	---	---
38B	Power Fuse Block	---	---	---	---	---
	Quantity	---	---	---	---	---
38C	Power Fuse Block	---	---	---	---	---
	Quantity	---	---	---	---	---
38D	Power Fuse Block	---	---	---	---	---
	Quantity	---	---	---	---	---
38E	Power Fuse Block	---	---	---	---	---
	Quantity	---	---	---	---	---
39A	Power Fuse (2 Pack)	---	---	---	---	---
	Quantity	---	---	---	---	---
39B	Power Fuse (2 Pack)	---	---	---	---	---
	Quantity	---	---	---	---	---
39C	Power Fuse (2 Pack)	---	---	---	---	---
	Quantity	---	---	---	---	---
39D	Power Fuse (2 Pack)	---	---	---	---	---
	Quantity	---	---	---	---	---
40	Control Fuse Block	02.03.004.00	02.03.004.00	---	---	02.03.016.00
41	Control Fuse (2 Pack)	R02.03.001.02	R02.03.001.02	R02.03.005.02	R02.03.005A.02	R02.03.021.02
	Electrical Diagram	HC1-390	HC1-390	HC1-396	HC1-396	HC1-396

Shaded area reflects export models only.

PARTS SPECIFIC TO MODEL S-17

ITEM	DESCRIPTION	208V	208V	240V	240V	480V	480V	208V	208V
		Single Phase	Three Phase	Single Phase	Three Phase	Single Phase	Three Phase	Single Phase	Three Phase
32	Tank with Gaskets	---	R01.02.007S.00	---	---	---	---	---	R01.02.007S.00
33	Heating Element	---	R02.04.600.00	---	---	---	---	---	R02.04.600.00
	Quantity	---	3	---	---	---	---	---	3
34	Contactors	---	02.01.015.00	---	---	---	---	---	02.01.018.00
	Quantity	---	1	---	---	---	---	---	1
35	Transformer, Step Down	---	02.17.004.00	---	---	---	---	---	---
36	Terminal Block	---	R02.15.046.00	---	---	---	---	---	R02.15.046.00
37	Indicator Light, Red	---	02.19.154.00	---	---	---	---	---	02.19.151.00
38A	Power Fuse Block	---	---	---	---	---	---	---	---
	Quantity	---	---	---	---	---	---	---	---
38B	Power Fuse Block	---	---	---	---	---	---	---	---
	Quantity	---	---	---	---	---	---	---	---
38C	Power Fuse Block	---	---	---	---	---	---	---	---
	Quantity	---	---	---	---	---	---	---	---
38D	Power Fuse Block	---	---	---	---	---	---	---	---
	Quantity	---	---	---	---	---	---	---	---
38E	Power Fuse Block	---	---	---	---	---	---	---	---
	Quantity	---	---	---	---	---	---	---	---
39A	Power Fuse (2 Pack)	---	---	---	---	---	---	---	---
	Quantity	---	---	---	---	---	---	---	---
39B	Power Fuse (2 Pack)	---	---	---	---	---	---	---	---
	Quantity	---	---	---	---	---	---	---	---
39C	Power Fuse (2 Pack)	---	---	---	---	---	---	---	---
	Quantity	---	---	---	---	---	---	---	---
39D	Power Fuse (2 Pack)	---	---	---	---	---	---	---	---
	Quantity	---	---	---	---	---	---	---	---
40	Control Fuse Block	---	02.03.022.00	---	---	---	---	---	02.03.004.00
41	Control Fuse (2 Pack)	---	R02.03.014.02	---	---	---	---	---	R02.03.001.02
	Electrical Diagram	---	HC1-2465	---	---	---	---	---	HC1-390

Shaded area reflects **export models only**.

PARTS SPECIFIC TO MODEL S-17

ITEM	DESCRIPTION	240V	240V	380V	415V	600V
		Single Phase	Three Phase	Three Phase	Three Phase	Three Phase
32	Tank with Gaskets	---	---	---	---	---
33	Heating Element	---	---	---	---	---
	Quantity	---	---	---	---	---
34	Contactors	---	---	---	---	---
	Quantity	---	---	---	---	---
35	Transformer, Step Down	---	---	---	---	---
36	Terminal Block	---	---	---	---	---
37	Indicator Light, Red	---	---	---	---	---
38A	Power Fuse Block	---	---	---	---	---
	Quantity	---	---	---	---	---
38B	Power Fuse Block	---	---	---	---	---
	Quantity	---	---	---	---	---
38C	Power Fuse Block	---	---	---	---	---
	Quantity	---	---	---	---	---
38D	Power Fuse Block	---	---	---	---	---
	Quantity	---	---	---	---	---
38E	Power Fuse Block	---	---	---	---	---
	Quantity	---	---	---	---	---
39A	Power Fuse (2 Pack)	---	---	---	---	---
	Quantity	---	---	---	---	---
39B	Power Fuse (2 Pack)	---	---	---	---	---
	Quantity	---	---	---	---	---
39C	Power Fuse (2 Pack)	---	---	---	---	---
	Quantity	---	---	---	---	---
39D	Power Fuse (2 Pack)	---	---	---	---	---
	Quantity	---	---	---	---	---
40	Control Fuse Block	---	---	---	---	---
41	Control Fuse (2 Pack)	---	---	---	---	---
	Electrical Diagram	---	---	---	---	---

Shaded area reflects **export models only**.

PARTS SPECIFIC TO MODEL S-18

ITEM	DESCRIPTION	208V	208V	240V	240V	480V	480V	208V	208V
		Single Phase	Three Phase	Single Phase	Three Phase	Single Phase	Three Phase	Single Phase	Three Phase
32	Tank with Gaskets	R01.02.007S.00	---	R01.02.007S.00	R01.02.007S.00	---	R01.02.007S.00	R01.02.007S.00	---
33	Heating Element	R02.04.610.00	---	R02.04.611.00	R02.04.611.00	---	R02.04.613.00	R02.04.610.00	---
	Quantity	3	---	3	3	---	3	3	---
34	Contactora	02.01.015.00	---	02.01.015.00	02.01.015.00	---	02.01.015.00	02.01.018.00	---
	Quantity	2	---	2	1	---	1	1	---
35	Transformer, Step Down	02.17.004.00	---	02.17.004.00	02.17.004.00	---	02.17.005.00	---	---
36	Terminal Block	---	---	---	R02.15.046.00	---	---	R02.15.046.00	---
37	Indicator Light, Red	02.19.154.00	---	02.19.154.00	02.19.154.00	---	02.19.154.00	02.19.151.00	---
38A	Power Fuse Block	02.41.010.00	---	02.41.010.00	---	---	---	---	---
	Quantity	2	---	2	---	---	---	---	---
38B	Power Fuse Block	---	---	---	---	---	---	---	---
	Quantity	---	---	---	---	---	---	---	---
38C	Power Fuse Block	---	---	---	---	---	---	---	---
	Quantity	---	---	---	---	---	---	---	---
38D	Power Fuse Block	---	---	---	---	---	---	---	---
	Quantity	---	---	---	---	---	---	---	---
38E	Power Fuse Block	---	---	---	---	---	---	---	---
	Quantity	---	---	---	---	---	---	---	---
39A	Power Fuse (2 Pack) (40 Amp)	R02.03.031.02	---	R02.03.031.02	---	---	---	---	---
	Quantity	3	---	3	---	---	---	---	---
39B	Power Fuse (2 Pack)	---	---	---	---	---	---	---	---
	Quantity	---	---	---	---	---	---	---	---
39C	Power Fuse (2 Pack)	---	---	---	---	---	---	---	---
	Quantity	---	---	---	---	---	---	---	---
39D	Power Fuse (2 Pack)	---	---	---	---	---	---	---	---
	Quantity	---	---	---	---	---	---	---	---
40	Control Fuse Block	02.03.022.00	---	02.03.022.00	02.03.022.00	---	02.03.023.00	02.03.004.00	---
41	Control Fuse (2 Pack)	R02.03.014.02	---	R02.03.014.02	R02.03.014.02	---	R02.03.013.02	R02.03.001.02	---
	Electrical Diagram	HC1-2469	---	HC1-2469	HC1-2465	---	HC1-2465	HC1-390	---

Shaded area reflects **export models only**.

PARTS SPECIFIC TO MODEL S-18

ITEM	DESCRIPTION	240V	240V	380V	415V	600V
		Single Phase	Three Phase	Three Phase	Three Phase	Three Phase
32	Tank with Gaskets	R01.02.007S.00	R01.02.007S.00	R01.02.007S.00	R01.02.007S.00	R01.02.007S.00
33	Heating Element	R02.04.611.00	R02.04.611.00	R02.04.601.00	R02.04.603.00	R02.04.604.00
	Quantity	3	3	3	3	3
34	Contactora	02.01.018.00	02.01.018.00	02.01.016.00	02.01.016.00	02.01.016.00
	Quantity	1	1	1	1	1
35	Transformer, Step Down	---	---	R02.17.003.00	R02.17.002.00	02.17.009.00
36	Terminal Block	R02.15.046.00	R02.15.046.00	---	---	---
37	Indicator Light, Red	02.19.151.00	02.19.151.00	02.19.151.00	02.19.151.00	02.19.151.00
38A	Power Fuse Block	---	---	---	---	---
	Quantity	---	---	---	---	---
38B	Power Fuse Block	---	---	---	---	---
	Quantity	---	---	---	---	---
38C	Power Fuse Block	---	---	---	---	---
	Quantity	---	---	---	---	---
38D	Power Fuse Block	---	---	---	---	---
	Quantity	---	---	---	---	---
38E	Power Fuse Block	---	---	---	---	---
	Quantity	---	---	---	---	---
39A	Power Fuse (2 Pack)	---	---	---	---	---
	Quantity	---	---	---	---	---
39B	Power Fuse (2 Pack)	---	---	---	---	---
	Quantity	---	---	---	---	---
39C	Power Fuse (2 Pack)	---	---	---	---	---
	Quantity	---	---	---	---	---
39D	Power Fuse (2 Pack)	---	---	---	---	---
	Quantity	---	---	---	---	---
40	Control Fuse Block	02.03.004.00	02.03.004.00	---	---	02.03.016.00
41	Control Fuse (2 Pack)	R02.03.001.02	R02.03.001.02	R02.03.005.02	R02.03.005A.02	R02.03.021.02
	Electrical Diagram	HC1-390	HC1-390	HC1-396	HC1-396	HC1-396

Shaded area reflects **export models only**.

PARTS SPECIFIC TO MODEL S-24

ITEM	DESCRIPTION	208V	208V	240V	240V	480V	480V	208V	208V
		Single Phase	Three Phase	Single Phase	Three Phase	Single Phase	Three Phase	Single Phase	Three Phase
32	Tank with Gaskets	R01.02.008S.00	R01.02.008S.00	R01.02.008S.00	R01.02.008S.00	---	R01.02.008S.00	R01.02.008S.00	R01.02.008S.00
33	Heating Element	R02.04.400.00	R02.04.400.00	R02.04.401.00	R02.04.401.00	---	R02.04.404.00	R02.04.400.00	R02.04.400.00
	Quantity	6	6	6	6	---	6	6	6
34	Contactora	02.01.017.00	02.01.015.00	02.01.017.00	02.01.015.00	---	02.01.015.00	02.01.018.00	02.01.016.00
	Quantity	2	2	2	2	---	2	2	2
35	Transformer, Step Down	02.17.004.00	02.17.004.00	02.17.004.00	02.17.004.00	---	02.17.005.00	---	---
36	Terminal Block	---	---	---	---	---	R02.15.046.00	02.15.007.00	02.15.021.00
37	Indicator Light, Red	02.19.154.00	02.19.154.00	02.19.154.00	02.19.154.00	---	02.19.154.00	02.19.151.00	02.19.151.00
38A	Power Fuse Block	02.41.015.00	---	02.41.015.00	---	---	---	---	---
	Quantity	2	---	2	---	---	---	---	---
38B	Power Fuse Block	---	02.41.001.00	---	02.41.001.00	---	---	---	---
	Quantity	---	1	---	1	---	---	---	---
38C	Power Fuse Block	---	02.41.005.00	---	02.41.005.00	---	---	---	---
	Quantity	---	1	---	1	---	---	---	---
38D	Power Fuse Block	---	---	---	---	---	---	---	---
	Quantity	---	---	---	---	---	---	---	---
38E	Power Fuse Block	---	---	---	---	---	---	---	---
	Quantity	---	---	---	---	---	---	---	---
39A	Power Fuse (2 Pack) (40 Amp)	R02.03.030.02	---	R02.03.030.02	---	---	---	---	---
	Quantity	2	---	2	---	---	---	---	---
39B	Power Fuse (2 Pack)	R02.03.032.02	R02.03.032.02	R02.03.032.02	R02.03.032.02	---	---	---	---
	Quantity	2	3	2	3	---	---	---	---
39C	Power Fuse (2 Pack)	---	---	---	---	---	---	---	---
	Quantity	---	---	---	---	---	---	---	---
39D	Power Fuse (2 Pack)	---	---	---	---	---	---	---	---
	Quantity	---	---	---	---	---	---	---	---
40	Control Fuse Block	02.03.022.00	02.03.022.00	02.03.022.00	02.03.022.00	---	02.03.023.00	02.03.004.00	02.03.004.00
41	Control Fuse (2 Pack)	R02.03.014.02	R02.03.014.02	R02.03.014.02	R02.03.014.02	---	R02.03.013.02	R02.03.001.02	R02.03.001.02
	Electrical Diagram	HC1-2499	HC1-2501	HC1-2499	HC1-2501	---	HC1-2503	HC1-1175	HC1-1174

Shaded area reflects **export models only**.

PARTS SPECIFIC TO MODEL S-24

ITEM	DESCRIPTION	240V	240V	380V	415V	600V
		Single Phase	Three Phase	Three Phase	Three Phase	Three Phase
32	Tank with Gaskets	R01.02.008S.00	R01.02.008S.00	R01.02.008S.00	R01.02.008S.00	R01.02.008S.00
33	Heating Element	R02.04.401.00	R02.04.401.00	R02.04.501.00	R02.04.401.00	R02.04.402.00
	Quantity	6	6	6	6	6
34	Contactator	02.01.018.00	02.01.016.00	02.01.016.00	02.01.016.00	02.01.016.00
	Quantity	2	2	2	2	2
35	Transformer, Step Down	---	---	R02.17.003.00	R02.17.002.00	02.17.009.00
36	Terminal Block	02.15.007.00	02.15.021.00	R02.15.046.00	R02.15.046.00	R02.15.046.00
37	Indicator Light, Red	02.19.151.00	02.19.151.00	02.19.151.00	02.19.151.00	02.19.151.00
38A	Power Fuse Block	---	---	---	---	---
	Quantity	---	---	---	---	---
38B	Power Fuse Block	---	---	---	---	---
	Quantity	---	---	---	---	---
38C	Power Fuse Block	---	---	---	---	---
	Quantity	---	---	---	---	---
38D	Power Fuse Block	---	---	---	---	---
	Quantity	---	---	---	---	---
38E	Power Fuse Block	---	---	---	---	---
	Quantity	---	---	---	---	---
39A	Power Fuse (2 Pack)	---	---	---	---	---
	Quantity	---	---	---	---	---
39B	Power Fuse (2 Pack)	---	---	---	---	---
	Quantity	---	---	---	---	---
39C	Power Fuse (2 Pack)	---	---	---	---	---
	Quantity	---	---	---	---	---
39D	Power Fuse (2 Pack)	---	---	---	---	---
	Quantity	---	---	---	---	---
40	Control Fuse Block	02.03.004.00	02.03.004.00	---	---	02.03.016.00
41	Control Fuse (2 Pack)	R02.03.001.02	R02.03.001.02	R02.03.005A.02	R02.03.005A.02	R02.03.021.02
	Electrical Diagram	HC1-1175	HC1-1174	HC1-1179	HC1-1179	HC1-1179

Shaded area reflects **export models only**.

PARTS SPECIFIC TO MODEL S-27

ITEM	DESCRIPTION	208V	208V	240V	240V	480V	480V	208V	208V
		Single Phase	Three Phase	Single Phase	Three Phase	Single Phase	Three Phase	Single Phase	Three Phase
32	Tank with Gaskets	R01.02.008S.00	R01.02.008S.00	R01.02.008S.00	R01.02.008S.00	---	R01.02.008S.00	R01.02.008S.00	R01.02.008S.00
33	Heating Element	R02.04.450.00	R02.04.450.00	R02.04.451.00	R02.04.451.00	---	R02.04.453.00	R02.04.450.00	R02.04.450.00
	Quantity	6	6	6	6	---	6	6	6
34	Contactors	02.01.017.00	02.01.015.00	02.01.017.00	02.01.015.00	---	02.01.015.00	02.01.018.00	02.01.016.00
	Quantity	2	2	2	2	---	2	2	2
35	Transformer, Step Down	02.17.004.00	02.17.004.00	02.17.004.00	02.17.004.00	---	02.17.005.00	---	---
36	Terminal Block	---	---	---	---	---	R02.15.046.00	02.15.007.00	02.15.021.00
37	Indicator Light, Red	02.19.154.00	02.19.154.00	02.19.154.00	02.19.154.00	---	02.19.154.00	02.19.151.00	02.19.151.00
38A	Power Fuse Block	02.41.015.00	---	02.41.015.00	---	---	---	---	---
	Quantity	2	---	2	---	---	---	---	---
38B	Power Fuse Block	---	02.41.001.00	---	02.41.001.00	---	---	---	---
	Quantity	---	1	---	1	---	---	---	---
38C	Power Fuse Block	---	02.41.005.00	---	02.41.005.00	---	---	---	---
	Quantity	---	1	---	1	---	---	---	---
38D	Power Fuse Block	---	---	---	---	---	---	---	---
	Quantity	---	---	---	---	---	---	---	---
38E	Power Fuse Block	---	---	---	---	---	---	---	---
	Quantity	---	---	---	---	---	---	---	---
39A	Power Fuse (2 Pack) (35 Amp)	R02.03.030.02	---	R02.03.030.02	---	---	---	---	---
	Quantity	2	---	2	---	---	---	---	---
39B	Power Fuse (2 Pack) (50 Amp)	---	R02.03.032.02	---	R02.03.032.02	---	---	---	---
	Quantity	---	3	---	3	---	---	---	---
39C	Power Fuse (2 Pack) (60 Amp)	R02.03.033.02	---	R02.03.033.02	---	---	---	---	---
	Quantity	2	---	2	---	---	---	---	---
39D	Power Fuse (2 Pack)	---	---	---	---	---	---	---	---
	Quantity	---	---	---	---	---	---	---	---
40	Control Fuse Block	02.03.022.00	02.03.022.00	02.03.022.00	02.03.022.00	---	02.03.023.00	02.03.004.00	02.03.004.00
41	Control Fuse (2 Pack)	R02.03.014.02	R02.03.014.02	R02.03.014.02	R02.03.014.02	---	R02.03.013.02	R02.03.001.02	R02.03.001.02
	Electrical Diagram	HC1-2499	HC1-2501	HC1-2499	HC1-2501	---	HC1-2503	HC1-1175	HC1-1174

Shaded area reflects **export models only**.

PARTS SPECIFIC TO MODEL S-27

ITEM	DESCRIPTION	240V	240V	380V	415V	600V
		Single Phase	Three Phase	Three Phase	Three Phase	Three Phase
32	Tank with Gaskets	R01.02.008S.00	R01.02.008S.00	R01.02.008S.00	R01.02.008S.00	R01.02.008S.00
33	Heating Element	R02.04.451.00	R02.04.451.00	R02.04.607.00	R02.04.451.00	R02.04.452.00
	Quantity	6	6	6	6	6
34	Contactors	02.01.018.00	02.01.016.00	02.01.016.00	02.01.016.00	02.01.016.00
	Quantity	2	2	2	2	2
35	Transformer, Step Down	---	---	R02.17.003.00	R02.17.002.00	02.17.009.00
36	Terminal Block	02.15.007.00	02.15.021.00	R02.15.046.00	R02.15.046.00	R02.15.046.00
37	Indicator Light, Red	02.19.151.00	02.19.151.00	02.19.151.00	02.19.151.00	02.19.151.00
38A	Power Fuse Block	---	---	---	---	---
	Quantity	---	---	---	---	---
38B	Power Fuse Block	---	---	---	---	---
	Quantity	---	---	---	---	---
38C	Power Fuse Block	---	---	---	---	---
	Quantity	---	---	---	---	---
38D	Power Fuse Block	---	---	---	---	---
	Quantity	---	---	---	---	---
38E	Power Fuse Block	---	---	---	---	---
	Quantity	---	---	---	---	---
39A	Power Fuse (2 Pack)	---	---	---	---	---
	Quantity	---	---	---	---	---
39B	Power Fuse (2 Pack)	---	---	---	---	---
	Quantity	---	---	---	---	---
39C	Power Fuse (2 Pack)	---	---	---	---	---
	Quantity	---	---	---	---	---
39D	Power Fuse (2 Pack)	---	---	---	---	---
	Quantity	---	---	---	---	---
40	Control Fuse Block	02.03.004.00	02.03.004.00	---	---	02.03.016.00
41	Control Fuse (2 Pack)	R02.03.001.02	R02.03.001.02	R02.03.005A.02	R02.03.005A.02	R02.03.021.02
	Electrical Diagram	HC1-1175	HC1-1174	HC1-1179	HC1-1179	HC1-1179

Shaded area reflects **export models only**.

PARTS SPECIFIC TO MODEL S-30

ITEM	DESCRIPTION	208V	208V	240V	240V	480V	480V	208V	208V
		Single Phase	Three Phase	Single Phase	Three Phase	Single Phase	Three Phase	Single Phase	Three Phase
32	Tank with Gaskets	R01.02.008S.00	R01.02.008S.00	R01.02.008S.00	R01.02.008S.00	---	R01.02.008S.00	R01.02.008S.00	R01.02.008S.00
33	Heating Element	R02.04.500.00	R02.04.500.00	R02.04.501.00	R02.04.501.00	---	R02.04.502.00	R02.04.500.00	R02.04.500.00
	Quantity	6	6	6	6	---	6	6	6
34	Contactora	02.01.017.00	02.01.015.00	02.01.017.00	02.01.015.00	---	02.01.015.00	02.01.018.00	02.01.016.00
	Quantity	2	2	2	2	---	2	2	2
35	Transformer, Step Down	02.17.004.00	02.17.004.00	02.17.004.00	02.17.004.00	---	02.17.005.00	---	---
36	Terminal Block	---	---	---	---	---	R02.15.046.00	02.15.007.00	02.15.021.00
37	Indicator Light, Red	02.19.154.00	02.19.154.00	02.19.154.00	02.19.154.00	---	02.19.154.00	02.19.151.00	02.19.151.00
38A	Power Fuse Block	02.41.015.00	---	02.41.015.00	---	---	---	---	---
	Quantity	2	---	2	---	---	---	---	---
38B	Power Fuse Block	---	02.41.001.00	---	02.41.001.00	---	---	---	---
	Quantity	---	1	---	1	---	---	---	---
38C	Power Fuse Block	---	02.41.005.00	---	02.41.005.00	---	---	---	---
	Quantity	---	1	---	1	---	---	---	---
38D	Power Fuse Block	---	---	---	---	---	---	---	---
	Quantity	---	---	---	---	---	---	---	---
38E	Power Fuse Block	---	---	---	---	---	---	---	---
	Quantity	---	---	---	---	---	---	---	---
39A	Power Fuse (2 Pack) (35 Amp)	R02.03.030.02	---	R02.03.030.02	---	---	---	---	---
	Quantity	2	---	2	---	---	---	---	---
39B	Power Fuse (2 Pack) (60 Amp)	R02.03.033.02	R02.03.033.02	R02.03.033.02	R02.03.033.02	---	---	---	---
	Quantity	2	3	2	3	---	---	---	---
39C	Power Fuse (2 Pack)	---	---	---	---	---	---	---	---
	Quantity	---	---	---	---	---	---	---	---
39D	Power Fuse (2 Pack)	---	---	---	---	---	---	---	---
	Quantity	---	---	---	---	---	---	---	---
40	Control Fuse Block	02.03.022.00	02.03.022.00	02.03.022.00	02.03.022.00	---	02.03.023.00	02.03.004.00	02.03.004.00
41	Control Fuse (2 Pack)	R02.03.014.02	R02.03.014.02	R02.03.014.02	R02.03.014.02	---	R02.03.013.02	R02.03.001.02	R02.03.001.02
	Electrical Diagram	HC1-2499	HC1-2501	HC1-2499	HC1-2501	---	HC1-2503	HC1-1175	HC1-1174

Shaded area reflects **export models only**.

PARTS SPECIFIC TO MODEL S-30

ITEM	DESCRIPTION	240V	240V	380V	415V	600V
		Single Phase	Three Phase	Three Phase	Three Phase	Three Phase
32	Tank with Gaskets	R01.02.008S.00	R01.02.008S.00	R01.02.008S.00	R01.02.008S.00	R01.02.008S.00
33	Heating Element	R02.04.501.00	R02.04.501.00	R02.04.611.00	R02.04.501.00	R02.04.510.00
	Quantity	6	6	6	6	6
34	Contactors	02.01.018.00	02.01.016.00	02.01.016.00	02.01.016.00	02.01.016.00
	Quantity	2	2	2	2	2
35	Transformer, Step Down	---	---	R02.17.003.00	R02.17.002.00	02.17.009.00
36	Terminal Block	02.15.007.00	02.15.021.00	R02.15.046.00	R02.15.046.00	R02.15.046.00
37	Indicator Light, Red	02.19.151.00	02.19.151.00	02.19.151.00	02.19.151.00	02.19.151.00
38A	Power Fuse Block	---	---	---	---	---
	Quantity	---	---	---	---	---
38B	Power Fuse Block	---	---	---	---	---
	Quantity	---	---	---	---	---
38C	Power Fuse Block	---	---	---	---	---
	Quantity	---	---	---	---	---
38D	Power Fuse Block	---	---	---	---	---
	Quantity	---	---	---	---	---
38E	Power Fuse Block	---	---	---	---	---
	Quantity	---	---	---	---	---
39A	Power Fuse (2 Pack)	---	---	---	---	---
	Quantity	---	---	---	---	---
39B	Power Fuse (2 Pack)	---	---	---	---	---
	Quantity	---	---	---	---	---
39C	Power Fuse (2 Pack)	---	---	---	---	---
	Quantity	---	---	---	---	---
39D	Power Fuse (2 Pack)	---	---	---	---	---
	Quantity	---	---	---	---	---
40	Control Fuse Block	02.03.004.00	02.03.004.00	---	---	02.03.016.00
41	Control Fuse (2 Pack)	R02.03.001.02	R02.03.001.02	R02.03.005A.02	R02.03.005A.02	R02.03.021.02
	Electrical Diagram	HC1-1175	HC1-1174	HC1-1179	HC1-1179	HC1-1179

Shaded area reflects **export models only**.

PARTS SPECIFIC TO MODEL S-36

ITEM	DESCRIPTION	208V	208V	240V	240V	480V	480V	208V	208V
		Single Phase	Three Phase	Single Phase	Three Phase	Single Phase	Three Phase	Single Phase	Three Phase
32	Tank with Gaskets	R01.02.008S.00	R01.02.008S.00	R01.02.008S.00	R01.02.008S.00	---	R01.02.008S.00	R01.02.008S.00	R01.02.008S.00
33	Heating Element	R02.04.610.00	R02.04.610.00	R02.04.611.00	R02.04.611.00	---	R02.04.613.00	R02.04.610.00	R02.04.610.00
	Quantity	6	6	6	6	---	6	6	6
34	Contactora	02.01.015.00	02.01.015.00	02.01.015.00	02.01.015.00	---	02.01.015.00	02.01.018.00	02.01.016.00
	Quantity	4	4	4	2	---	2	2	2
35	Transformer, Step Down	02.17.004.00	02.17.004.00	02.17.004.00	02.17.004.00	---	02.17.005.00	---	---
36	Terminal Block	02.15.007.00	---	02.15.007.00	---	---	R02.15.046.00	02.15.007.00	02.15.021.00
37	Indicator Light, Red	02.19.154.00	02.19.154.00	02.19.154.00	02.19.154.00	---	02.19.154.00	02.19.151.00	02.19.151.00
38A	Power Fuse Block	02.41.010.00	---	02.41.010.00	---	---	---	---	---
	Quantity	4	---	4	---	---	---	---	---
38B	Power Fuse Block	---	02.41.015.00	---	---	---	---	---	---
	Quantity	---	3	---	---	---	---	---	---
38C	Power Fuse Block	---	---	---	02.41.001.00	---	---	---	---
	Quantity	---	---	---	1	---	---	---	---
38D	Power Fuse Block	---	---	---	02.41.005.00	---	---	---	---
	Quantity	---	---	---	1	---	---	---	---
38E	Power Fuse Block	---	---	---	---	---	---	---	---
	Quantity	---	---	---	---	---	---	---	---
39A	Power Fuse (2 Pack) (40 Amp)	R02.03.031.02	R02.03.031.02	R02.03.031.02	---	---	---	---	---
	Quantity	6	6	6	---	---	---	---	---
39B	Power Fuse (2 Pack) (60 Amp)	---	---	---	R02.03.033.02	---	---	---	---
	Quantity	---	---	---	3	---	---	---	---
39C	Power Fuse (2 Pack)	---	---	---	---	---	---	---	---
	Quantity	---	---	---	---	---	---	---	---
39D	Power Fuse (2 Pack)	---	---	---	---	---	---	---	---
	Quantity	---	---	---	---	---	---	---	---
40	Control Fuse Block	02.03.022.00	02.03.022.00	02.03.022.00	02.03.022.00	---	02.03.023.00	02.03.004.00	02.03.004.00
41	Control Fuse (2 Pack)	R02.03.014.02	R02.03.014.02	R02.03.014.02	R02.03.014.02	---	R02.03.013.02	R02.03.001.02	R02.03.001.02
	Electrical Diagram	HC1-2507	HC1-2505	HC1-2507	HC1-2501	---	HC1-2503	HC1-1175	HC1-1174

Shaded area reflects **export models only**.

PARTS SPECIFIC TO MODEL S-36

ITEM	DESCRIPTION	240V	240V	380V	415V	600V
		Single Phase	Three Phase	Three Phase	Three Phase	Three Phase
32	Tank with Gaskets	R01.02.008S.00	R01.02.008S.00	R01.02.008S.00	R01.02.008S.00	R01.02.008S.00
33	Heating Element	R02.04.611.00	R02.04.611.00	R02.04.601.00	R02.04.603.00	R02.04.612.00
	Quantity	6	6	6	6	6
34	Contactor	02.01.018.00	02.01.016.00	02.01.016.00	02.01.016.00	02.01.016.00
	Quantity	2	2	2	2	2
35	Transformer, Step Down	---	---	R02.17.003.00	R02.17.002.00	02.17.009.00
36	Terminal Block	02.15.007.00	02.15.021.00	R02.15.046.00	R02.15.046.00	R02.15.046.00
37	Indicator Light, Red	02.19.151.00	02.19.151.00	02.19.151.00	02.19.151.00	02.19.151.00
38A	Power Fuse Block	---	---	---	---	---
	Quantity	---	---	---	---	---
38B	Power Fuse Block	---	---	---	---	---
	Quantity	---	---	---	---	---
38C	Power Fuse Block	---	---	---	---	---
	Quantity	---	---	---	---	---
38D	Power Fuse Block	---	---	---	---	---
	Quantity	---	---	---	---	---
38E	Power Fuse Block	---	---	---	---	---
	Quantity	---	---	---	---	---
39A	Power Fuse (2 Pack)	---	---	---	---	---
	Quantity	---	---	---	---	---
39B	Power Fuse (2 Pack)	---	---	---	---	---
	Quantity	---	---	---	---	---
39C	Power Fuse (2 Pack)	---	---	---	---	---
	Quantity	---	---	---	---	---
39D	Power Fuse (2 Pack)	---	---	---	---	---
	Quantity	---	---	---	---	---
40	Control Fuse Block	02.03.004.00	02.03.004.00	---	---	02.03.016.00
41	Control Fuse (2 Pack)	R02.03.001.02	R02.03.001.02	R02.03.005A.02	R02.03.005A.02	R02.03.021.02
	Electrical Diagram	HC1-1175	HC1-1174	HC1-1179	HC1-1179	HC1-1179

Shaded area reflects **export models only**.

PARTS SPECIFIC TO MODEL S-39

ITEM	DESCRIPTION	208V	208V	240V	240V	480V	480V	208V	208V
		Single Phase	Three Phase	Single Phase	Three Phase	Single Phase	Three Phase	Single Phase	Three Phase
32	Tank with Gaskets	R01.02.008S.00	R01.02.008S.00	R01.02.008S.00	R01.02.008S.00	---	R01.02.008S.00	R01.02.008S.00	R01.02.008S.00
33	Heating Element	R02.04.650.00	R02.04.650.00	R02.04.653.00	R02.04.653.00	---	R02.04.655.00	R02.04.650.00	R02.04.650.00
	Quantity	6	6	6	6	---	6	6	6
34	Contactors	02.01.015.00	02.01.015.00	02.01.015.00	02.01.015.00	---	02.01.015.00	02.01.018.00	02.01.016.00
	Quantity	4	4	4	2	---	2	2	2
35	Transformer, Step Down	02.17.004.00	02.17.004.00	02.17.004.00	02.17.004.00	---	02.17.005.00	---	---
36	Terminal Block	02.15.007.00	---	02.15.007.00	---	---	R02.15.003.00	02.15.007.00	02.15.021.00
37	Indicator Light, Red	02.19.154.00	02.19.154.00	02.19.154.00	02.19.154.00	---	02.19.151.00	02.19.151.00	02.19.151.00
38A	Power Fuse Block	02.41.010.00	---	02.41.010.00	---	---	---	---	---
	Quantity	4	---	4	---	---	---	---	---
38B	Power Fuse Block	---	02.41.015.00	---	---	---	---	---	---
	Quantity	---	3	---	---	---	---	---	---
38C	Power Fuse Block	---	---	---	02.41.005.00	---	---	---	---
	Quantity	---	---	---	1	---	---	---	---
38D	Power Fuse Block	---	---	---	02.41.001.00	---	---	---	---
	Quantity	---	---	---	1	---	---	---	---
38E	Power Fuse Block	---	---	---	---	---	---	---	---
	Quantity	---	---	---	---	---	---	---	---
39A	Power Fuse (2 Pack) (40 Amp)	R02.03.031.02	R02.03.031.02	R02.03.031.02	---	---	---	---	---
	Quantity	6	6	6	---	---	---	---	---
39B	Power Fuse (2 Pack) (60 Amp)	---	---	---	R02.03.033.02	---	---	---	---
	Quantity	---	---	---	3	---	---	---	---
39C	Power Fuse (2 Pack)	---	---	---	---	---	---	---	---
	Quantity	---	---	---	---	---	---	---	---
39D	Power Fuse (2 Pack)	---	---	---	---	---	---	---	---
	Quantity	---	---	---	---	---	---	---	---
40	Control Fuse Block	02.03.022.00	02.03.022.00	02.03.022.00	02.03.022.00	---	02.03.023.00	02.03.004.00	02.03.004.00
41	Control Fuse (2 Pack)	R02.03.014.02	R02.03.014.02	R02.03.014.02	R02.03.014.02	---	R02.03.013.02	R02.03.001.02	R02.03.001.02
	Electrical Diagram	HC1-2507	HC1-2505	HC1-2507	HC1-2501	---	HC1-2503	HC1-1175	HC1-1174

Shaded area reflects **export models only**.

PARTS SPECIFIC TO MODEL S-39

ITEM	DESCRIPTION	240V	240V	380V	415V	600V
		Single Phase	Three Phase	Three Phase	Three Phase	Three Phase
32	Tank with Gaskets	R01.02.008S.00	R01.02.008S.00	R01.02.008S.00	R01.02.008S.00	R01.02.008S.00
33	Heating Element	R02.04.653.00	R02.04.653.00	R02.04.651.00	R02.04.653.00	R02.04.654.00
	Quantity	6	6	6	6	6
34	Contactors	02.01.018.00	02.01.016.00	02.01.016.00	02.01.016.00	02.01.016.00
	Quantity	2	2	2	2	2
35	Transformer, Step Down	---	---	R02.17.003.00	R02.17.002.00	02.17.009.00
36	Terminal Block	02.15.007.00	02.15.021.00	R02.15.046.00	R02.15.046.00	R02.15.046.00
37	Indicator Light, Red	02.19.151.00	02.19.151.00	02.19.151.00	02.19.151.00	02.19.151.00
38A	Power Fuse Block	---	---	---	---	---
	Quantity	---	---	---	---	---
38B	Power Fuse Block	---	---	---	---	---
	Quantity	---	---	---	---	---
38C	Power Fuse Block	---	---	---	---	---
	Quantity	---	---	---	---	---
38D	Power Fuse Block	---	---	---	---	---
	Quantity	---	---	---	---	---
38E	Power Fuse Block	---	---	---	---	---
	Quantity	---	---	---	---	---
39A	Power Fuse (2 Pack)	---	---	---	---	---
	Quantity	---	---	---	---	---
39B	Power Fuse (2 Pack)	---	---	---	---	---
	Quantity	---	---	---	---	---
39C	Power Fuse (2 Pack)	---	---	---	---	---
	Quantity	---	---	---	---	---
39D	Power Fuse (2 Pack)	---	---	---	---	---
	Quantity	---	---	---	---	---
40	Control Fuse Block	02.03.004.00	02.03.004.00	---	---	02.03.016.00
41	Control Fuse (2 Pack)	R02.03.001.02	R02.03.001.02	R02.03.005A.02	R02.03.005A.02	R02.03.021.02
	Electrical Diagram	HC1-1175	HC1-1174	HC1-1179	HC1-1179	HC1-1179

Shaded area reflects **export models only**.

PARTS SPECIFIC TO MODEL S-40

ITEM	DESCRIPTION	208V	208V	240V	240V	480V	480V	208V	208V
		Single Phase	Three Phase	Single Phase	Three Phase	Single Phase	Three Phase	Single Phase	Three Phase
32	Tank with Gaskets	---	R01.02.009S.00	---	R01.02.009S.00	---	R01.02.009S.00	---	R01.02.009S.00
33	Heating Element	---	R02.04.450.00	---	R02.04.451.00	---	R02.04.453.00	---	R02.04.450.00
	Quantity	---	9	---	9	---	9	---	9
34	Contactora	---	02.01.015.00	---	02.01.015.00	---	02.01.015.00	---	02.01.016.00
	Quantity	---	3	---	3	---	3	---	3
35	Transformer, Step Down	---	02.17.004.00	---	02.17.004.00	---	02.17.005.00	---	---
36	Terminal Block	---	---	---	---	---	R02.15.046.00	---	02.15.008.00
37	Indicator Light, Red	---	02.19.154.00	---	02.19.154.00	---	02.19.154.00	---	02.19.151.00
38A	Power Fuse Block	---	02.41.010.00	---	02.41.010.00	---	---	---	---
	Quantity	---	3	---	3	---	---	---	---
38B	Power Fuse Block	---	---	---	---	---	02.41.030.00	---	---
	Quantity	---	---	---	---	---	2	---	---
38C	Power Fuse Block	---	---	---	---	---	---	---	---
	Quantity	---	---	---	---	---	---	---	---
38D	Power Fuse Block	---	---	---	---	---	---	---	---
	Quantity	---	---	---	---	---	---	---	---
38E	Power Fuse Block	---	---	---	---	---	---	---	---
	Quantity	---	---	---	---	---	---	---	---
39A	Power Fuse (2 Pack) (50 Amp)	---	R02.03.032.02	---	R02.03.032.02	---	---	---	---
	Quantity	---	5	---	5	---	---	---	---
39B	Power Fuse (2 Pack) (35 Amp)	---	---	---	---	---	R02.03.010.02	---	---
	Quantity	---	---	---	---	---	2	---	---
39C	Power Fuse (2 Pack) (60 Amp)	---	---	---	---	---	R02.03.015.02	---	---
	Quantity	---	---	---	---	---	2	---	---
39D	Power Fuse (2 Pack)	---	---	---	---	---	---	---	---
	Quantity	---	---	---	---	---	---	---	---
40	Control Fuse Block	---	02.03.022.00	---	02.03.022.00	---	02.03.023.00	---	02.03.004.00
41	Control Fuse (2 Pack)	---	R02.03.014.02	---	R02.03.014.02	---	R02.03.013.02	---	R02.03.001.02
	Electrical Diagram	---	HC1-2509	---	HC1-2509	---	HC1-2513	---	HC1-1177

Shaded area reflects **export models only**.

PARTS SPECIFIC TO MODEL S-40

ITEM	DESCRIPTION	240V	240V	380V	415V	600V
		Single Phase	Three Phase	Three Phase	Three Phase	Three Phase
32	Tank with Gaskets	---	R01.02.009S.00	R01.02.009S.00	R01.02.009S.00	R01.02.009S.00
33	Heating Element	---	R02.04.451.00	R02.04.501.00	R02.04.451.00	R02.04.452.00
	Quantity	---	9	9	9	9
34	Contactors	---	02.01.016.00	02.01.016.00	02.01.016.00	02.01.016.00
	Quantity	---	3	3	3	3
35	Transformer, Step Down	---	---	R02.17.003.00	R02.17.002.00	02.17.009.00
36	Terminal Block	---	02.15.008.00	02.15.021.00	02.15.021.00	02.15.021.00
37	Indicator Light, Red	---	02.19.151.00	02.19.151.00	02.19.151.00	02.19.151.00
38A	Power Fuse Block	---	---	---	---	---
	Quantity	---	---	---	---	---
38B	Power Fuse Block	---	---	---	---	---
	Quantity	---	---	---	---	---
38C	Power Fuse Block	---	---	---	---	---
	Quantity	---	---	---	---	---
38D	Power Fuse Block	---	---	---	---	---
	Quantity	---	---	---	---	---
38E	Power Fuse Block	---	---	---	---	---
	Quantity	---	---	---	---	---
39A	Power Fuse (2 Pack)	---	---	---	---	---
	Quantity	---	---	---	---	---
39B	Power Fuse (2 Pack)	---	---	---	---	---
	Quantity	---	---	---	---	---
39C	Power Fuse (2 Pack)	---	---	---	---	---
	Quantity	---	---	---	---	---
39D	Power Fuse (2 Pack)	---	---	---	---	---
	Quantity	---	---	---	---	---
40	Control Fuse Block	---	02.03.004.00	---	---	02.03.016.00
41	Control Fuse (2 Pack)	---	R02.03.001.02	R02.03.005A.02	R02.03.005A.02	R02.03.021.02
	Electrical Diagram	---	HC1-1177	HC1-1180	HC1-1180	HC1-1180

Shaded area reflects **export models only**.

PARTS SPECIFIC TO MODEL S-45

ITEM	DESCRIPTION	208V	208V	240V	240V	480V	480V	208V	208V
		Single Phase	Three Phase	Single Phase	Three Phase	Single Phase	Three Phase	Single Phase	Three Phase
32	Tank with Gaskets	---	R01.02.009S.00	R01.02.008S.00	R01.02.009S.00	---	R01.02.009S.00	---	R01.02.009S.00
33	Heating Element	---	R02.04.500.00	R02.04.701.00	R02.04.501.00	---	R02.04.502.00	---	R02.04.500.00
	Quantity	---	9	6	9	---	9	---	9
34	Contactora	---	02.01.015.00	02.01.015.00	02.01.015.00	---	02.01.015.00	---	02.01.016.00
	Quantity	---	3	4	3	---	3	---	3
35	Transformer, Step Down	---	02.17.004.00	02.17.004.00	02.17.004.00	---	02.17.005.00	---	---
36	Terminal Block	---	---	02.15.007.00	---	---	02.15.021.00	---	02.15.008.00
37	Indicator Light, Red	---	02.19.154.00	02.19.154.00	02.19.154.00	---	02.19.154.00	---	02.19.151.00
38A	Power Fuse Block	---	02.41.010.00	02.41.010.00	02.41.010.00	---	---	---	---
	Quantity	---	3	4	3	---	---	---	---
38B	Power Fuse Block	---	---	---	---	---	02.41.030.00	---	---
	Quantity	---	---	---	---	---	2	---	---
38C	Power Fuse Block	---	---	---	---	---	---	---	---
	Quantity	---	---	---	---	---	---	---	---
38D	Power Fuse Block	---	---	---	---	---	---	---	---
	Quantity	---	---	---	---	---	---	---	---
38E	Power Fuse Block	---	---	---	---	---	---	---	---
	Quantity	---	---	---	---	---	---	---	---
39A	Power Fuse (2 Pack) (40 Amp)	---	---	R02.03.031.02	---	---	---	---	---
	Quantity	---	---	6	---	---	---	---	---
39B	Power Fuse (2 Pack) (60 Amp)	---	R02.03.033.02	---	R02.03.033.02	---	---	---	---
	Quantity	---	5	---	5	---	---	---	---
39C	Power Fuse (2 Pack) (35 Amp)	---	---	---	---	---	R02.03.010.02	---	---
	Quantity	---	---	---	---	---	2	---	---
39D	Power Fuse (2 Pack) (60 Amp)	---	---	---	---	---	R02.03.015.02	---	---
	Quantity	---	---	---	---	---	2	---	---
40	Control Fuse Block	---	02.03.022.00	02.03.022.00	02.03.022.00	---	02.03.023.00	---	02.03.004.00
41	Control Fuse (2 Pack)	---	R02.03.014.02	R02.03.014.02	R02.03.014.02	---	R02.03.013.02	---	R02.03.001.02
	Electrical Diagram	---	HC1-2509	HC1-2511	HC1-2509	---	HC1-2513	---	HC1-1177

Shaded area reflects **export models only**.

PARTS SPECIFIC TO MODEL S-45

ITEM	DESCRIPTION	240V	240V	380V	415V	600V
		Single Phase	Three Phase	Three Phase	Three Phase	Three Phase
32	Tank with Gaskets	---	R01.02.009S.00	R01.02.009S.00	R01.02.009S.00	R01.02.009S.00
33	Heating Element	---	R02.04.501.00	R02.04.603.00	R02.04.501.00	R02.04.510.00
	Quantity	---	9	9	9	9
34	Contactors	---	02.01.016.00	02.01.016.00	02.01.016.00	02.01.016.00
	Quantity	---	3	3	3	3
35	Transformer, Step Down	---	---	R02.17.003.00	R02.17.002.00	02.17.009.00
36	Terminal Block	---	02.15.008.00	02.15.021.00	02.15.021.00	02.15.021.00
37	Indicator Light, Red	---	02.19.151.00	02.19.151.00	02.19.151.00	02.19.151.00
38A	Power Fuse Block	---	---	---	---	---
	Quantity	---	---	---	---	---
38B	Power Fuse Block	---	---	---	---	---
	Quantity	---	---	---	---	---
38C	Power Fuse Block	---	---	---	---	---
	Quantity	---	---	---	---	---
38D	Power Fuse Block	---	---	---	---	---
	Quantity	---	---	---	---	---
38E	Power Fuse Block	---	---	---	---	---
	Quantity	---	---	---	---	---
39A	Power Fuse (2 Pack)	---	---	---	---	---
	Quantity	---	---	---	---	---
39B	Power Fuse (2 Pack)	---	---	---	---	---
	Quantity	---	---	---	---	---
39C	Power Fuse (2 Pack)	---	---	---	---	---
	Quantity	---	---	---	---	---
39D	Power Fuse (2 Pack)	---	---	---	---	---
	Quantity	---	---	---	---	---
40	Control Fuse Block	---	02.03.004.00	---	---	02.03.016.00
41	Control Fuse (2 Pack)	---	R02.03.001.02	R02.03.005A.02	R02.03.005A.02	R02.03.021.02
	Electrical Diagram	---	HC1-1177	HC1-1180	HC1-1180	HC1-1180

Shaded area reflects **export models only**.

PARTS SPECIFIC TO MODEL S-54

ITEM	DESCRIPTION	208V	208V	240V	240V	480V	480V	208V	208V
		Single Phase	Three Phase	Single Phase	Three Phase	Single Phase	Three Phase	Single Phase	Three Phase
32	Tank with Gaskets	---	R01.02.008S.00†	---	R01.02.009S.00	---	R01.02.009S.00	---	R01.02.009S.00
33	Heating Element	---	R02.04.710.00†	---	R02.04.611.00	---	R02.04.613.00	---	R02.04.610.00
	Quantity	---	6	---	9	---	9	---	9
34	Contactora	---	02.01.015.00	---	02.01.015.00	---	02.01.015.00	---	02.01.016.00
	Quantity	---	4	---	3	---	3	---	3
35	Transformer, Step Down	---	02.17.004.00	---	02.17.004.00	---	02.17.005.00	---	---
36	Terminal Block	---	---	---	---	---	02.15.021.00	---	02.15.008.00
37	Indicator Light, Red	---	02.19.154.00	---	02.19.154.00	---	02.19.154.00	---	02.19.151.00
38A	Power Fuse Block	---	---	---	02.41.010.00	---	---	---	---
	Quantity	---	---	---	3	---	---	---	---
38B	Power Fuse Block	---	---	---	---	---	02.41.030.00	---	---
	Quantity	---	---	---	---	---	2	---	---
38C	Power Fuse Block	---	02.41.020.00	---	---	---	---	---	---
	Quantity	---	1	---	---	---	---	---	---
38D	Power Fuse Block	---	02.41.021.00	---	---	---	---	---	---
	Quantity	---	1	---	---	---	---	---	---
38E	Power Fuse Block	---	02.41.022.00	---	---	---	---	---	---
	Quantity	---	1	---	---	---	---	---	---
39A	Power Fuse (2 Pack) (60 Amp)	---	R02.03.033.02	---	R02.03.033.02	---	---	---	---
	Quantity	---	6	---	5	---	---	---	---
39B	Power Fuse (2 Pack) (35 Amp)	---	---	---	---	---	R02.03.010.02	---	---
	Quantity	---	---	---	---	---	2	---	---
39C	Power Fuse (2 Pack) (60 Amp)	---	---	---	---	---	R02.03.015.02	---	---
	Quantity	---	---	---	---	---	2	---	---
39D	Power Fuse (2 Pack)	---	---	---	---	---	---	---	---
	Quantity	---	---	---	---	---	---	---	---
40	Control Fuse Block	---	02.03.022.00	---	02.03.022.00	---	02.03.023.00	---	02.03.004.00
41	Control Fuse (2 Pack)	---	R02.03.014.02	---	R02.03.014.02	---	R02.03.013.02	---	R02.03.001.02
	Electrical Diagram	---	HC1-2505	---	HC1-2509	---	HC1-2513	---	HC1-1177

Shaded area reflects **export models only**.

† Units manufactured before January 1980 may use a nine hole tank and nine heating elements.
Consult factory with serial number for details.

PARTS SPECIFIC TO MODEL S-54

ITEM	DESCRIPTION	240V	240V	380V	415V	600V
		Single Phase	Three Phase	Three Phase	Three Phase	Three Phase
32	Tank with Gaskets	---	R01.02.009S.00	R01.02.009S.00	R01.02.009S.00	R01.02.009S.00
33	Heating Element	---	R02.04.611.00	R02.04.601.00	R02.04.603.00	R02.04.612.00
	Quantity	---	9	9	9	9
34	Contactors	---	02.01.016.00	02.01.016.00	02.01.016.00	02.01.016.00
	Quantity	---	3	3	3	3
35	Transformer, Step Down	---	---	R02.17.003.00	R02.17.002.00	02.17.009.00
36	Terminal Block	---	02.15.008.00	02.15.021.00	02.15.021.00	02.15.021.00
37	Indicator Light, Red	---	02.19.151.00	02.19.151.00	02.19.151.00	02.19.151.00
38A	Power Fuse Block	---	---	---	---	---
	Quantity	---	---	---	---	---
38B	Power Fuse Block	---	---	---	---	---
	Quantity	---	---	---	---	---
38C	Power Fuse Block	---	---	---	---	---
	Quantity	---	---	---	---	---
38D	Power Fuse Block	---	---	---	---	---
	Quantity	---	---	---	---	---
38E	Power Fuse Block	---	---	---	---	---
	Quantity	---	---	---	---	---
39A	Power Fuse (2 Pack)	---	---	---	---	---
	Quantity	---	---	---	---	---
39B	Power Fuse (2 Pack)	---	---	---	---	---
	Quantity	---	---	---	---	---
39C	Power Fuse (2 Pack)	---	---	---	---	---
	Quantity	---	---	---	---	---
39D	Power Fuse (2 Pack)	---	---	---	---	---
	Quantity	---	---	---	---	---
40	Control Fuse Block	---	02.03.004.00	---	---	02.03.016.00
41	Control Fuse (2 Pack)	---	R02.03.001.02	R02.03.005A.02	R02.03.005A.02	R02.03.021.02
	Electrical Diagram	---	HC1-1177	HC1-1180	HC1-1180	HC1-1180

Shaded area reflects **export models only**.

PARTS SPECIFIC TO MODEL S-57

ITEM	DESCRIPTION	208V	208V	240V	240V	480V	480V	208V	208V
		Single Phase	Three Phase	Single Phase	Three Phase	Single Phase	Three Phase	Single Phase	Three Phase
32	Tank with Gaskets	---	R01.02.008S.00	---	R01.02.009S.00	---	R01.02.009S.00	---	R01.02.009S.00
33	Heating Element	---	R02.04.731.00	---	R02.04.632.00	---	R02.04.634.00	---	R02.04.630.00
	Quantity	---	6	---	9	---	9	---	9
34	Contactora	---	02.01.015.00	---	02.01.015.00	---	02.01.015.00	---	02.01.016.00
	Quantity	---	4	---	3	---	3	---	3
35	Transformer, Step Down	---	02.17.004.00	---	02.17.004.00	---	02.17.005.00	---	---
36	Terminal Block	---	---	---	---	---	02.15.021.00	---	02.15.008.00
37	Indicator Light, Red	---	02.19.154.00	---	02.19.154.00	---	02.19.154.00	---	02.19.151.00
38A	Power Fuse Block	---	---	---	02.41.010.00	---	---	---	---
	Quantity	---	---	---	3	---	---	---	---
38B	Power Fuse Block	---	---	---	---	---	02.41.030.00	---	---
	Quantity	---	---	---	---	---	2	---	---
38C	Power Fuse Block	---	02.41.020.00	---	---	---	---	---	---
	Quantity	---	1	---	---	---	---	---	---
38D	Power Fuse Block	---	02.41.021.00	---	---	---	---	---	---
	Quantity	---	1	---	---	---	---	---	---
38E	Power Fuse Block	---	02.41.022.00	---	---	---	---	---	---
	Quantity	---	1	---	---	---	---	---	---
39A	Power Fuse (2 Pack) (60 Amp)	---	R02.03.033.02	---	R02.03.033.02	---	---	---	---
	Quantity	---	6	---	5	---	---	---	---
39B	Power Fuse (2 Pack) (35 Amp)	---	---	---	---	---	R02.03.010.02	---	---
	Quantity	---	---	---	---	---	2	---	---
39C	Power Fuse (2 Pack) (60 Amp)	---	---	---	---	---	R02.03.015.02	---	---
	Quantity	---	---	---	---	---	2	---	---
39D	Power Fuse (2 Pack)	---	---	---	---	---	---	---	---
	Quantity	---	---	---	---	---	---	---	---
40	Control Fuse Block	---	02.03.022.00	---	02.03.022.00	---	02.03.023.00	---	02.03.004.00
41	Control Fuse (2 Pack)	---	R02.03.014.02	---	R02.03.014.02	---	R02.03.013.02	---	R02.03.001.02
	Electrical Diagram	---	HC1-2505	---	HC1-2509	---	HC1-2513	---	HC1-1177

Shaded area reflects **export models only**.

PARTS SPECIFIC TO MODEL S-57

ITEM	DESCRIPTION	240V	240V	380V	415V	600V
		Single Phase	Three Phase	Three Phase	Three Phase	Three Phase
32	Tank with Gaskets	---	R01.02.009S.00	R01.02.009S.00	R01.02.009S.00	R01.02.009S.00
33	Heating Element	---	R02.04.632.00	R02.04.631.00	R02.04.632.00	R02.04.633.00
	Quantity	---	9	9	9	9
34	Contactor	---	02.01.016.00	02.01.016.00	02.01.016.00	02.01.016.00
	Quantity	---	3	3	3	3
35	Transformer, Step Down	---	---	R02.17.003.00	R02.17.002.00	02.17.009.00
36	Terminal Block	---	02.15.008.00	02.15.021.00	02.15.021.00	02.15.021.00
37	Indicator Light, Red	---	02.19.151.00	02.19.151.00	02.19.151.00	02.19.151.00
38A	Power Fuse Block	---	---	---	---	---
	Quantity	---	---	---	---	---
38B	Power Fuse Block	---	---	---	---	---
	Quantity	---	---	---	---	---
38C	Power Fuse Block	---	---	---	---	---
	Quantity	---	---	---	---	---
38D	Power Fuse Block	---	---	---	---	---
	Quantity	---	---	---	---	---
38E	Power Fuse Block	---	---	---	---	---
	Quantity	---	---	---	---	---
39A	Power Fuse (2 Pack)	---	---	---	---	---
	Quantity	---	---	---	---	---
39B	Power Fuse (2 Pack)	---	---	---	---	---
	Quantity	---	---	---	---	---
39C	Power Fuse (2 Pack)	---	---	---	---	---
	Quantity	---	---	---	---	---
39D	Power Fuse (2 Pack)	---	---	---	---	---
	Quantity	---	---	---	---	---
40	Control Fuse Block	---	02.03.004.00	---	---	02.03.016.00
41	Control Fuse (2 Pack)	---	R02.03.001.02	R02.03.005A.02	R02.03.005A.02	R02.03.021.02
	Electrical Diagram	---	HC1-1177	HC1-1180	HC1-1180	HC1-1180

Shaded area reflects **export models only**.

PARTS SPECIFIC TO MODEL S-58

ITEM	DESCRIPTION	208V	208V	240V	240V	480V	480V	208V	208V
		Single Phase	Three Phase	Single Phase	Three Phase	Single Phase	Three Phase	Single Phase	Three Phase
32	Tank with Gaskets	---	R01.02.008S.00†	---	R01.02.009S.00	---	R01.02.009S.00	---	R01.02.009S.00
33	Heating Element	---	R02.04.720.00†	---	R02.04.653.00	---	R02.04.655.00	---	R02.04.650.00
	Quantity	---	6	---	9	---	9	---	9
34	Contactors	---	02.01.015.00	---	02.01.015.00	---	02.01.015.00	---	02.01.016.00
	Quantity	---	4	---	3	---	3	---	3
35	Transformer, Step Down	---	02.17.004.00	---	02.17.004.00	---	02.17.005.00	---	---
36	Terminal Block	---	---	---	---	---	02.15.021.00	---	02.15.008.00
37	Indicator Light, Red	---	02.19.154.00	---	02.19.154.00	---	02.19.154.00	---	02.19.151.00
38A	Power Fuse Block	---	---	---	02.41.010.00	---	---	---	---
	Quantity	---	---	---	3	---	---	---	---
38B	Power Fuse Block	---	---	---	---	---	02.41.030.00	---	---
	Quantity	---	---	---	---	---	2	---	---
38C	Power Fuse Block	---	02.41.020.00	---	---	---	---	---	---
	Quantity	---	1	---	---	---	---	---	---
38D	Power Fuse Block	---	02.41.021.00	---	---	---	---	---	---
	Quantity	---	1	---	---	---	---	---	---
38E	Power Fuse Block	---	02.41.022.00	---	---	---	---	---	---
	Quantity	---	1	---	---	---	---	---	---
39A	Power Fuse (2 Pack) (60 Amp)	---	R02.03.033.02	---	R02.03.033.02	---	---	---	---
	Quantity	---	6	---	5	---	---	---	---
39B	Power Fuse (2 Pack) (35 Amp)	---	---	---	---	---	R02.03.010.02	---	---
	Quantity	---	---	---	---	---	2	---	---
39C	Power Fuse (2 Pack) (60 Amp)	---	---	---	---	---	R02.03.015.02	---	---
	Quantity	---	---	---	---	---	2	---	---
39D	Power Fuse (2 Pack)	---	---	---	---	---	---	---	---
	Quantity	---	---	---	---	---	---	---	---
40	Control Fuse Block	---	02.03.022.00	---	02.03.022.00	---	02.03.023.00	---	02.03.004.00
41	Control Fuse (2 Pack)	---	R02.03.014.02	---	R02.03.014.02	---	R02.03.013.02	---	R02.03.001.02
	Electrical Diagram	---	HC1-2505	---	HC1-2509	---	HC1-2513	---	HC1-1177

Shaded area reflects **export models only**.

† Units manufactured before January 1980 may use a nine hole tank and nine heating elements.
Consult factory with serial number for details.

PARTS SPECIFIC TO MODEL S-58

ITEM	DESCRIPTION	240V	240V	380V	415V	600V
		Single Phase	Three Phase	Three Phase	Three Phase	Three Phase
32	Tank with Gaskets	---	R01.02.009S.00	R01.02.009S.00	R01.02.009S.00	R01.02.009S.00
33	Heating Element	---	R02.04.653.00	R02.04.651.00	R02.04.653.00	R02.04.654.00
	Quantity	---	9	9	9	9
34	Contactors	---	02.01.016.00	02.01.016.00	02.01.016.00	02.01.016.00
	Quantity	---	3	3	3	3
35	Transformer, Step Down	---	---	R02.17.003.00	R02.17.002.00	02.17.009.00
36	Terminal Block	---	02.15.008.00	02.15.021.00	02.15.021.00	02.15.021.00
37	Indicator Light, Red	---	02.19.151.00	02.19.151.00	02.19.151.00	02.19.151.00
38A	Power Fuse Block	---	---	---	---	---
	Quantity	---	---	---	---	---
38B	Power Fuse Block	---	---	---	---	---
	Quantity	---	---	---	---	---
38C	Power Fuse Block	---	---	---	---	---
	Quantity	---	---	---	---	---
38D	Power Fuse Block	---	---	---	---	---
	Quantity	---	---	---	---	---
38E	Power Fuse Block	---	---	---	---	---
	Quantity	---	---	---	---	---
39A	Power Fuse (2 Pack)	---	---	---	---	---
	Quantity	---	---	---	---	---
39B	Power Fuse (2 Pack)	---	---	---	---	---
	Quantity	---	---	---	---	---
39C	Power Fuse (2 Pack)	---	---	---	---	---
	Quantity	---	---	---	---	---
39D	Power Fuse (2 Pack)	---	---	---	---	---
	Quantity	---	---	---	---	---
40	Control Fuse Block	---	02.03.004.00	---	---	02.03.016.00
41	Control Fuse (2 Pack)	---	R02.03.001.02	R02.03.005A.02	R02.03.005A.02	R02.03.021.02
	Electrical Diagram	---	HC1-1177	HC1-1180	HC1-1180	HC1-1180

Shaded area reflects **export models only**.

HATCO AUTHORIZED PARTS DISTRIBUTORS

ALABAMA

Jones McLeod Appl. Svc.
Birmingham 205-251-0159

ARIZONA

Auth. Comm. Food Equip.
Phoenix 602-234-2443
Byassee Equipment Co.
Phoenix 602-252-0402

CALIFORNIA

Industrial Electric
Huntington Beach 714-379-7100
Chapman Appl. Service
San Diego 619-298-7106
P & D Appliance
S. San Francisco 650-635-1900

COLORADO

Hawkins Commercial Appliance
Englewood 303-781-5548

DELAWARE

Food Equipment Service
Wilmington 302-996-9363

FLORIDA

Whaley Foodservice Repair
Jacksonville 904-725-7800
Universal Restaurant Services
Miami 305-593-5488
Nass Service Co., Inc.
Orlando 407-425-2681
B.G.S.I.
Pompano Beach 954-971-0456
Comm. Appliance Service
Tampa 813-663-0313

GEORGIA

TWC Services
Smyrna 770-438-9797
Heritage Service Group
Norcross 866-388-9837
Southeastern Rest. Svc.
Norcross 770-446-6177

HAWAII

Burney's Comm. Service, Inc.
Honolulu 808-848-1466
Food Equip Parts & Service
Honolulu 808-847-4871

ILLINOIS

Parts Town
Lombard 708-865-7278
Eichenauer Elec. Service
Decatur 217-429-4229
Midwest Elec. Appl. Service
Elmhurst 630-279-8000
Cone's Repair Service
Moline 309-797-5323

INDIANA

GCS Service
Indianapolis 317-545-9655

IOWA

Electric Motor Service Co.
Davenport 319-323-1823
Goodwin Tucker Group
Des Moines 515-262-9308

KENTUCKY

GCS Service
Louisville 502-367-1788

LOUISIANA

Chandlers Parts & Service
Baton Rouge 225-272-6620

MARYLAND

Electric Motor Service
Baltimore 410-467-8080

GCS Service
Silver Spring 301-585-7550

MASSACHUSETTS

Ace Service Co., Inc.
Needham 781-449-4220

MICHIGAN

Commercial Kitchen Service
Bay City 517-893-4561
Bildons Appliance Service
Detroit 248-478-3320
Midwest Food Equip. Service
Grandville 616-261-2000

MINNESOTA

GCS Service
Minneapolis 612-546-4221

MISSOURI

General Parts
Kansas City 816-421-5400
Commercial Kitchen Services
St. Louis 314-890-0700
Kaemmerlen Parts & Service
St. Louis 314-535-2222

NEBRASKA

Anderson Electric
Omaha 402-341-1414

NEVADA

Burney's Commercial
Las Vegas 702-736-0006

Hi. Tech Commercial Service
N. Las Vegas 702-649-4616

NEW JERSEY

Jay Hill Repair
Fairfield 973-575-9145
Service Plus
Flanders 973-691-6300

NEW YORK

Acme American Repairs, Inc.
Brooklyn 718-456-6544
Alpro Service Co.
Brooklyn 718-386-2515
Appliance Installation
Buffalo 716-884-7425
Northern Parts Dist.
Plattsburgh 518-563-3200
J.B. Brady, Inc.
Syracuse 315-422-9271

NORTH CAROLINA

Authorized Appliance
Charlotte 704-377-4501

OHIO

Akron/Canton Comm. Svc. Inc.
Akron 330-753-6635
Certified Service Center
Cincinnati 513-772-6600
Commercial Parts and Service
Columbus 614-221-0057
Electrical Appl. Repair Service
Independence 216-459-8700
E. A. Wichman Co.
Toledo 419-385-9121

OKLAHOMA

Hagar Rest. Service, Inc.
Oklahoma City 405-235-2184
Krueger, Inc.
Oklahoma City 405-528-8883

OREGON

Bressie Electric Co.
Portland 503-231-7171
Ron's Service, Inc.
Portland 503-624-0890

PENNSYLVANIA

Elmer Schultz Services
Philadelphia 215-627-5401
FAST Comm. Appl. Service
Philadelphia 215-288-4800
GCS Service
Pittsburgh 412-787-1970
K & D Service Co.
Harrisburg 717-236-9039
Electric Repair Co.
Reading 610-376-5444

RHODE ISLAND

Marshall Electric Co.
Providence 401-331-1163

SOUTH CAROLINA

Whaley Foodservice Repair
W. Columbia 803-791-4420

TENNESSEE

Camp Electric
Memphis 901-527-7543

TEXAS

Stove Parts Supply
Fort Worth 817-831-0381
Armstrong Repair Service
Houston 713-666-7100
Commercial Kitchen Repair Co.
San Antonio 210-735-2811

UTAH

La Monica's Rest. Equip. Service
Murray 801-263-3221

VIRGINIA

Daubers
Norfolk 757-855-4097
Daubers
Springfield 703-866-3600

WASHINGTON

Restaurant Appl. Service
Seattle 206-524-8200

WISCONSIN

A.S.C., Inc.
Madison 608-246-3160
A.S.C., Inc.
Milwaukee 414-543-6460

CANADA

BRITISH COLUMBIA

Key Food Equipment Service
Vancouver 604-433-4484

MANITOBA

Denko Mechanical Ltd.
Winnipeg 204-233-8003

ONTARIO

R.G. Henderson Ltd.
Toronto 416-422-5580
Choquette CKS
Ottawa 613-739-8458

QUÉBEC

Choquette CKS
Montreal 514-722-2000
Choquette CKS
Québec City 418-681-3944

HATCO CORPORATION

P.O. Box 340500, Milwaukee, WI 53234-0500 U.S.A.

(800) 558-0607 (414) 671-6350

Parts & Service Fax (800) 690-2966 Int'l. Fax (414) 671-3976

www.hatcocorp.com