

Unit Information

2 HP Motor

1500 Watt

9 Amps

5 Year Limited Motor Plus

2 Year Parts & Labor Warranty

Batch Bowl

Holds 2.5 quarts dry ingredients

Holds 1.5 quarts wet ingredients

Continuous Feed

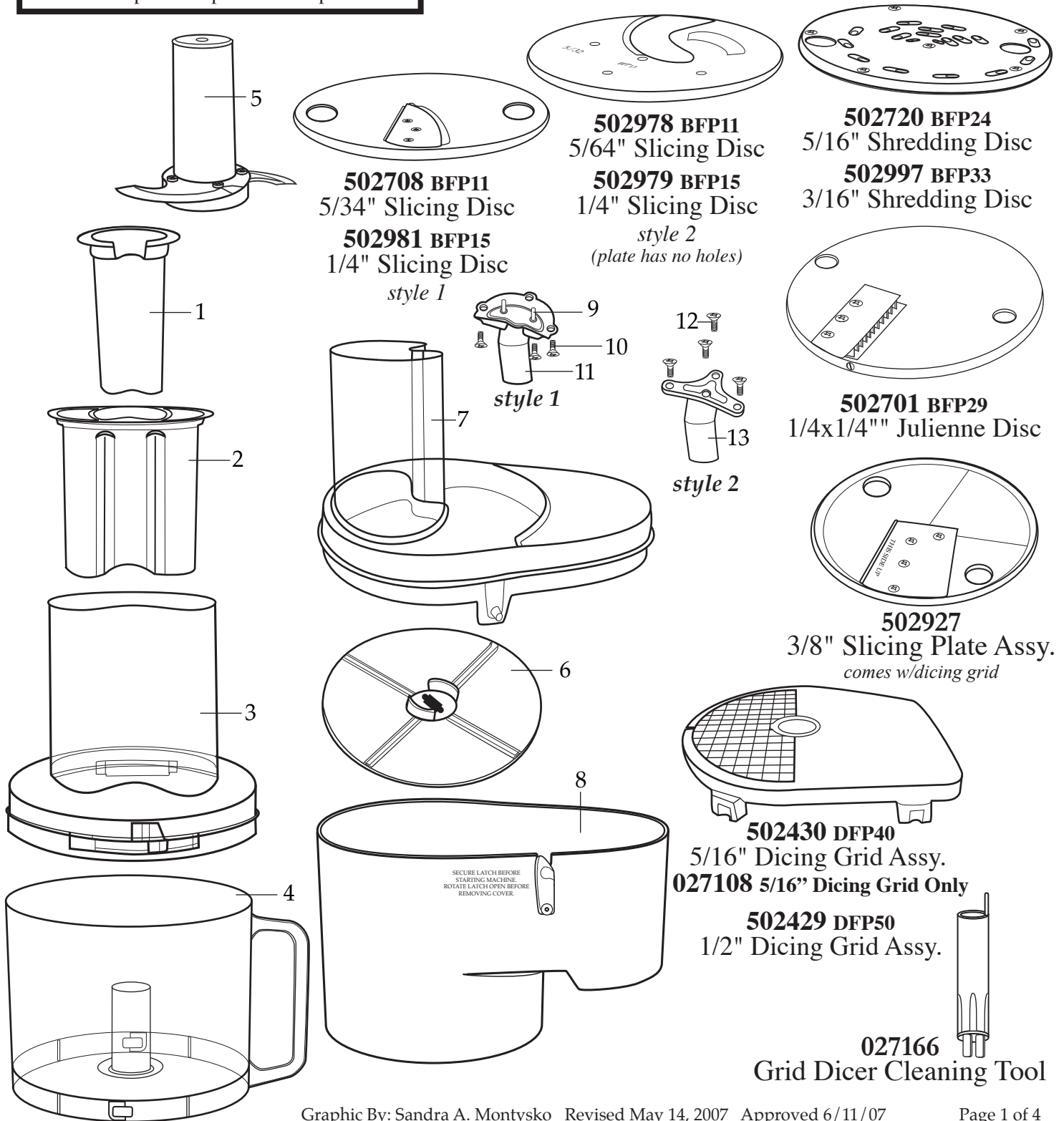
Can process 700 servings in 2.5 hours

Can process up to 700 lbs. per hour

WARING COMMERCIAL®

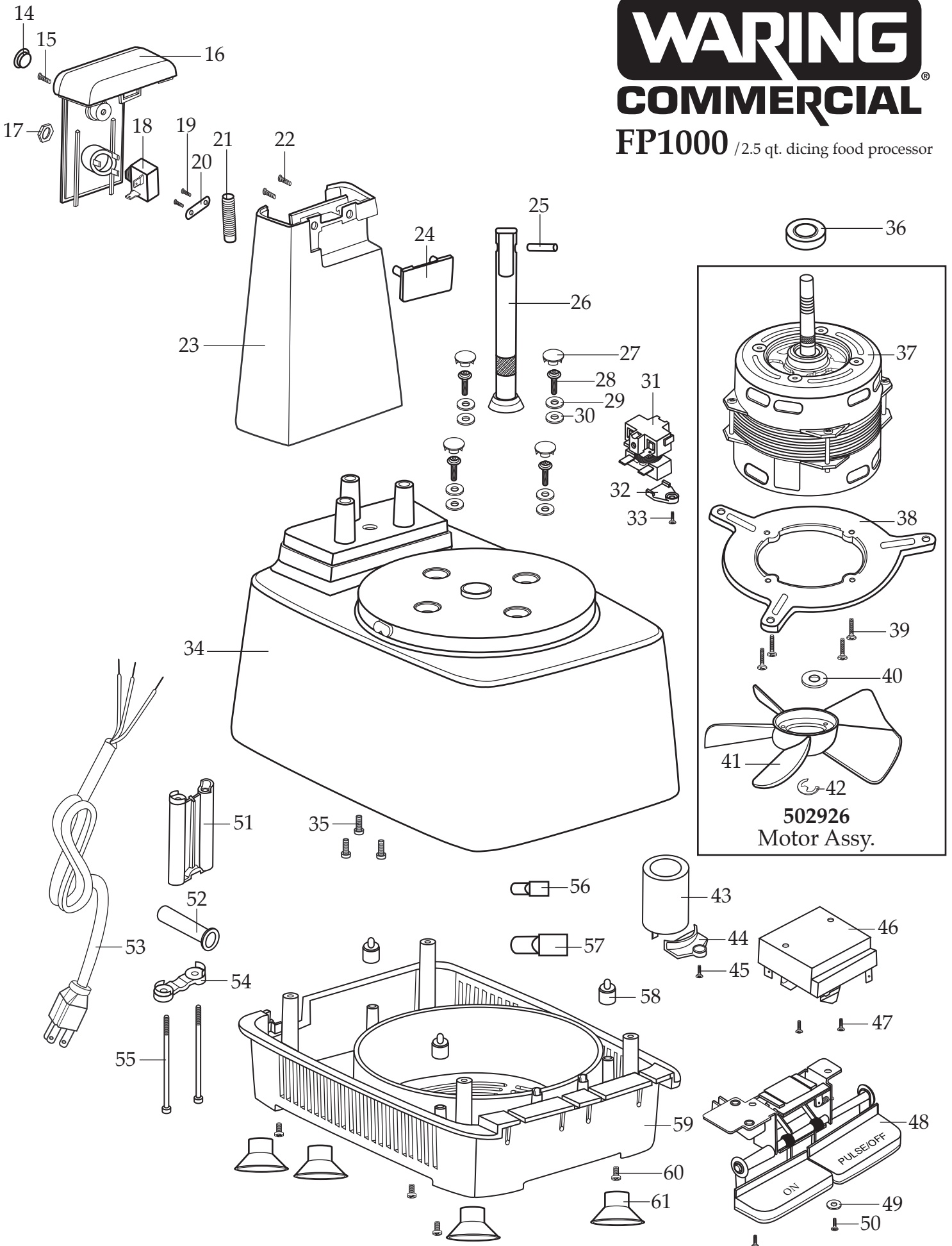
FP1000 /2.5 qt. dicing food processor
(comes w/ S-blade, BFP13, BFP29, BFP33 and DFP40)

FP1000PP /Pita Pit
(current production comes w/ S-blade, BFP13, BFP33, DFP40 and DFP50)
(older units comes w/ S-blade, BFP11, BFP15, BFP24 and DFP50)



WARING COMMERCIAL

FP1000 / 2.5 qt. dicing food processor



Model
FP1000

Catalog
same

Waring Factory Service Center
314 Ella T. Grasso Ave.
Torrington, CT 06790
Tele. 1-800-269-6640

COMMERCIAL
Fax 860-496-9017
www.waringproducts.com

Illustration#	Part#	Description
1	027098	Small Pusher
2	027099	Large Pusher
3	027100	Batch Bowl Cover
4	027101	Batch Bowl
5	502985	S Blade / complete
6	027102	Ejector Disc
7	027103	Continuous Feed Cover
8	027104	Continuous Feed Bowl
9	025471	Disc Pin 2 Req.'d
10	024734	Screw 3 Req.'d
11	025472	Disc Stem (style 1)
12	028342	Screw 4 Req.'d
13	028341	Stem (style 2)
14	027109	Screw Plug
15	024750	Screw
16	027110	Tower Cover
17	025481	Nut
18	027111	Reset Switch
19	025482	Screw 2 Req.'d
20	024747	Retainer
21	024749	Magnetic Sensor
22	024750	Screw 2 Req.'d
23	027112	Tower
24	027113	Cover Latch Plate
25	027114	Pin
26	027115	Motor Sheath
27	027116	Screw Plug 4 Req.'d
28	024756	Screw 4 Req.'d
29	024757	Washer 4 Req.'d
30	024759	Washer / fiber 4 Req.'d
31	027118	Start Relay
32	024764	Relay Plate
33	024750	Screw
34	027117	Upper Housing
35	025488	Screw 3 Req.'d

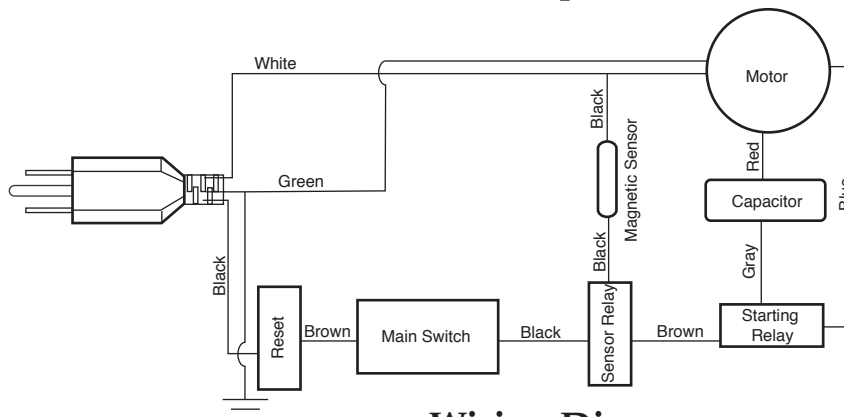
Model
FP1000

Catalog
same

Waring Factory Service Center
314 Ella T. Grasso Ave.
Torrington, CT 06790
Tele. 1-800-269-6640

Fax 860-496-9017
www.waringproducts.com

Illustration#	Part#	Description
36	024766	Oil Seal
37	027119	Motor
38	024768	Motor Support
39	024769	Screw 4 Req.'d
40	024770	Washer /metal
41	024771	Fan
42	024772	E-Ring
43	024773	Capacitor
44	024774	Capacitor Plate
45	024750	Screw
46	024775	Sensor Relay
47	024762	Screw 2 Req.'d
48	025489	Switch
49	024779	Washer /ground wire
50	024762	Screw 2 Req.'d
51	025490	Cord Support Clamp
52	024781	Cord Bushing
53	024782	Cord
54	024783	Cord Clamp
55	024784	Screw 2 Req.'d
56	024790	Crimp Connector /small 6 Req.'d
57	024789	Crimp Connector /large 2 Req.'d
58	024785	Motor Pad 3 Req.'d
59	027120	Lower Housing
60	024762	Screw 4 Req.'d
61	027121	Foot 4 Req.'d



Wiring Diagram