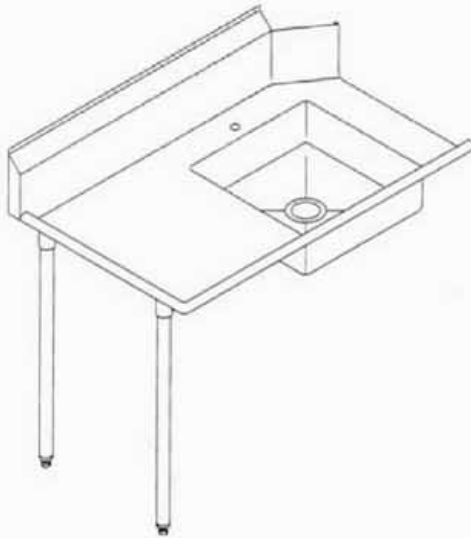




STANDARD SOILED DISHTABLE (STRAIGHT)



FEATURES:

TOP & BOWL are constructed of 16 gauge 304 stainless steel.

PRE-RINSE BOWL SIZE: 20-1/4" X 20-1/4" X 6"

BACKSPLASH. 10" tall, from the deck, with a 2" return at 45° and 3/4" clip-up to the wall.

1 hole for pre-rinse faucet punched in deck at 1-1/4" diameter.

LEGS are 1-5/8" diameter galvanized steel with stainless steel leg sockets and 1" adjustable plastic feet.

STANDARD SIZES (in.)

MODELS	LENGTH	WIDTH	HEIGHT
DDT-36*	36	30	44-3/4
DDT-48*	48		
DDT-60*	60		
DDT-72*	72		
DDT-84*	84		
DDT-96*	96		

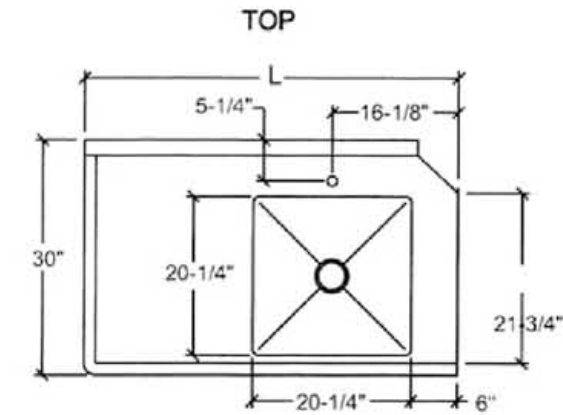
Please replace "" with "L" or "R" for left or right side of dish machine.



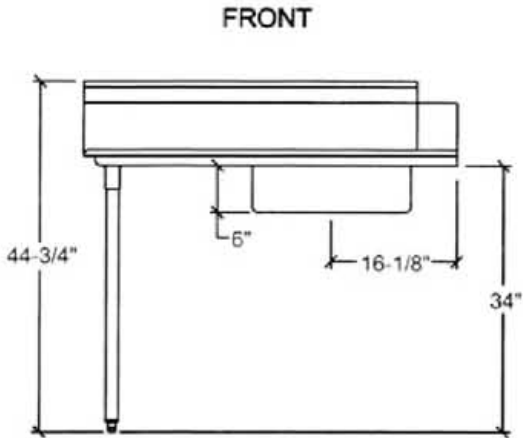
SPECIFICATIONS

DATE: _____ MODEL NO: _____

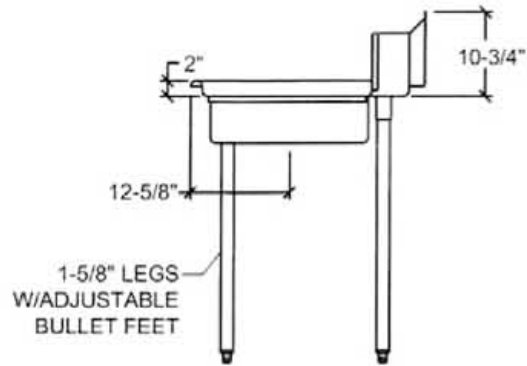
PROJECT: _____



STANDARD SOILED
DISHTABLE (STRAIGHT)



SIDE



DDT LEFT SHOWN

DIMENSIONS (in.)

MODELS	LENGTH	WIDTH	APPROX. WT. (LBS.)
DDT-36*	36	30	50
DDT-48*	48		60
DDT-60*	60		75
DDT-72*	72		85
DDT-84*	84		105
DDT-96*	96		115

(Specifications Subject To Change)