



STAINLESS STEEL
HAND SINKS
TRADITIONAL

Keyhole Bracket for easier installation and more stability.



7-PS-50



7-PS-60



7-PS-85



7-PS-70



7-PS-90



7-PS-80

Item #: _____

Model #: _____

Project #: _____

Model #	Qty
7-PS-50	
7-PS-60	
7-PS-70	
7-PS-80	
7-PS-85	
7-PS-90	

FEATURES:

One piece **Deep Drawn** sink bowl design.

All sink bowls have a large liberal radii with a minimum dimension of 2" and are rectangular in design for increased capacity.

CONSTRUCTION:

All TIG welded.

Welded areas blended to match adjacent surfaces and to a satin finish.

Die formed Countertop Edge with a 3/8" No-Drip offset.

One sheet of stainless steel is used. There are no welded seams other than corners.

MECHANICAL:

Faucet supply is 1/2" IPS male thread hot and cold.

K-59 splash mounted 4" O.C. gooseneck faucet chrome plated furnished with aerator.

K-6 stainless steel basket drain 1-1/2" IPS.

K-26 lever operated drain and built-in overflow with plastic overflow tube and spring clamps.

7-PS-14 P-Trap is 1 1/2" chrome plated.

7-PS-12 Soap Dispenser.

Towel dispenser with hinged cover. Unit uses standard C-fold towels.

Sink bowl is 10" x 14" x 5".

MATERIAL:

Heavy gauge type 304 series stainless steel.

Wall mounting bracket is stainless steel and of offset design.

All fittings are brass / nickel plated unless otherwise indicated.



NEW YORK
 (800) 645-3166
 Fax: (631) 242-6900

GEORGIA
 (800) 832-1218
 Fax: (770) 775-5625

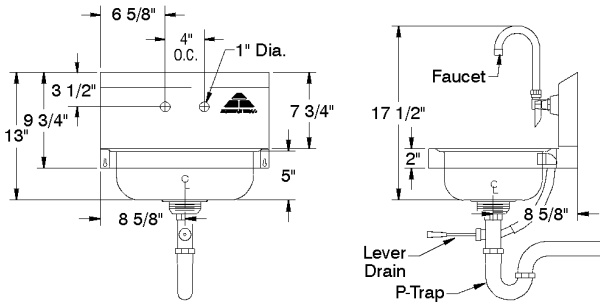
TEXAS
 (800) 527-0353
 Fax: (972) 932-4795

NEVADA
 (800) 446-8684
 Fax: (775) 972-1578

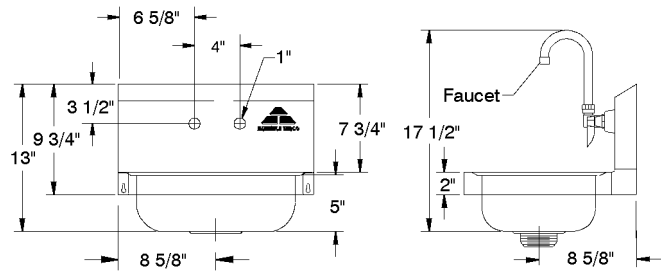
200 Heartland Boulevard, Edgewood, NY 11717-8380
 e-mail: advancetabco@advancetabco.com www.advancetabco.com

DETAILS and SPECIFICATIONS

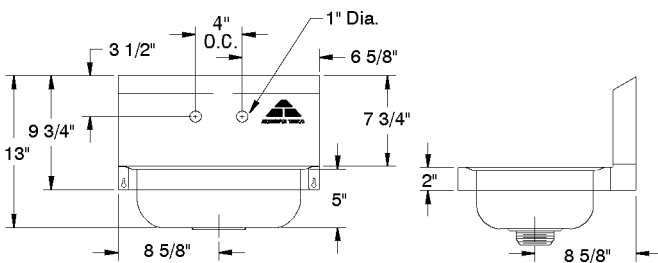
7-PS-50



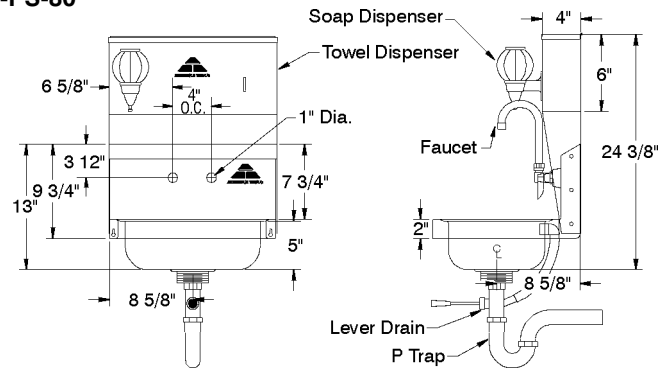
7-PS-60



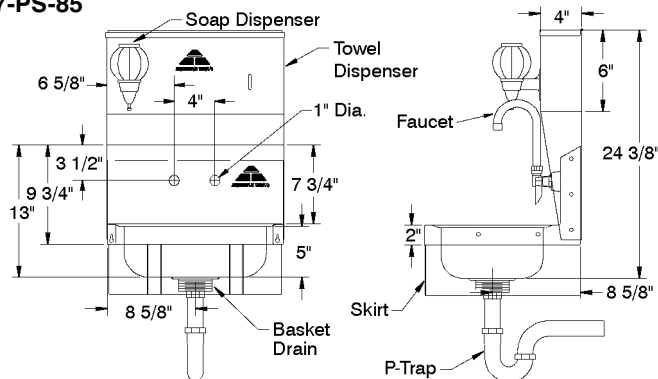
7-PS-70



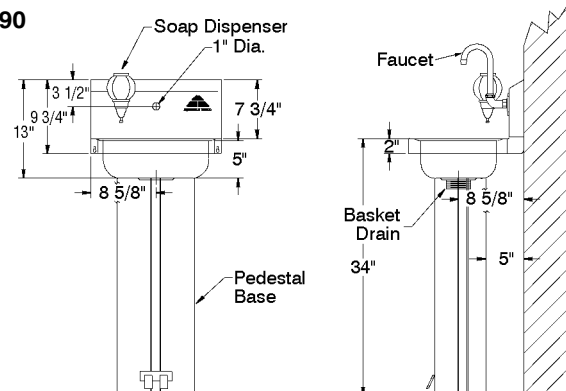
7-PS-80



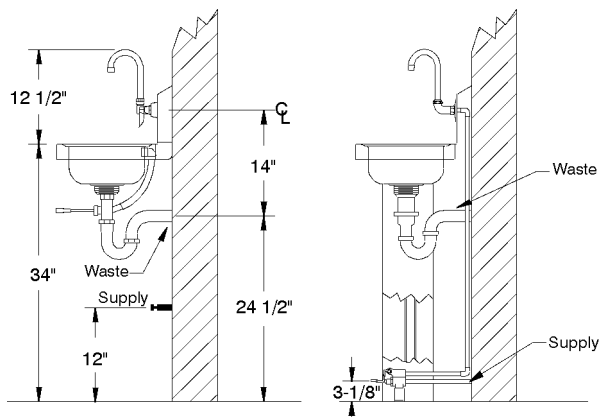
7-PS-85



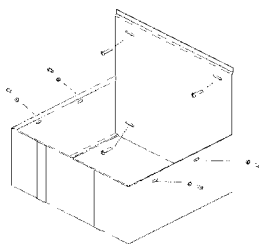
7-PS-90



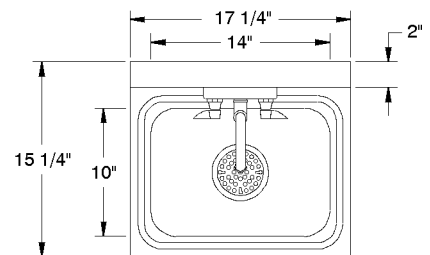
SUGGESTED PLUMBING



SKIRT INSTALLATION



TOP VIEW



TOL ± .500"
ALL DIMENSIONS ARE TYPICAL

