

SC

Countertop Cooler
with Lighted Sign

800.441.4014
www.excellencecommercialproductsc.com



SC-40



SC-52



SC-80

Cool Products...Cooler Prices!



SC

Countertop Cooler with Lighted Sign



SC-40

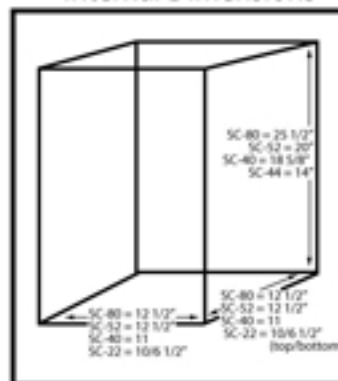


SC-52



SC-80

Internal Dimensions



Technical Summary

Model	Size				Electrical			Refrigeration		Other		
	Dimensions (Inches) length x depth x height	Cubic Feet	Net Weight (lbs.)	Shipping Weight (lbs.)	Volts/Hz/Phase	Running Amps	KWh/24hr	Compressor HP	Refrigerant	Temperature	No. of Shelves	Container Quantity
SC-40	16 x 16 x 29	1.5	45	70	115/60/1	n/a	n/a	1/10	R-134a	34°F to 45°F	2	390
SC-52*	16 1/2 x 18 x 31	2.0	51	76	115/60/1	n/a	n/a	1/10	R-134a	34°F to 45°F	2	300
SC-80	18 1/4 x 18 1/2 x 37	2.7	62	87	115/60/1	n/a	n/a	1/10	R-134a	34°F to 45°F	3	184
SC-98*	19 x 20 x 42	3.8	70	95	115/60/1	n/a	n/a	1/10	R-134a	34°F to 45°F	3	176

* Denotes no ETL Sanitation listing

SPECIAL FEATURES



- Interior light for clear product display
- Lighted sign for advertising

- Fully insulated glass door
- Door lock standard



Great Products...Cooler Prices!

Excellence Commercial Products is a division of Stajac Industries, Inc. The company reserves the right to change the design and/or specifications of these products without notice. Printed in the U.S.A. (01/23/09)

800.441.4014

Phone: 813.870.0340 Fax: 813.877.5832

2601 East 2nd Avenue

Tampa, Florida 33605

www.excellencecommercialproducts.com