



Star Manufacturing
International Inc.

10 Sunnen Drive
P.O. Box 430129
St. Louis, MO 63143

Phone: (800) 264-7827
(314) 781-5353 (Int'l)
FAX: (800) 264-6666
(314) 781-4344 (Int'l)
www.star-mfg.com

Star-Max™ Lava Rock Gas Char-Broilers

Model 6015CBC
Model 6024CBC
Model 6036CBC
Model 6048CBC

Heavy Duty Lava Rock Gas Char-Broilers from Star...

Features/Benefits:

- ★ Available in 15", 24", 36", and 48" widths for any space requirement.
- ★ 40,000 BTU (35,000 on propane gas) H-style cast iron burner for every 12" of width provides excellent broiling performance.
- ★ Natural lava rock briquettes provide even heat distribution and vaporize drippings.
- ★ Adjustable cast iron grates can be individually positioned to accommodate a variety of broiling requirements.

Applications:

Star-Max™ lava rock char-broilers are designed to provide excellent performance and reliability for cooking chicken, hamburger, steak, shish kabobs or whatever menu items you wish to have the char-broiled flavors.

Construction:

The Star-Max™ line of lava rock char-broilers is constructed to stand up to the most demanding broiling needs. A 5" high wrap-around stainless steel splash guard with a removable 3-7/8" stainless steel back splash, aluminized steel double wall constructed side panels and stainless steel front control panel with black polycarbonate trim offer many years of easy maintenance. These lava rock char-broilers also feature nickel plated die cast 4" legs, stainless steel bull nose front for knob protection, and stainless steel water pan. Units operate on Natural or Propane gas.

Warranty:

Star-Max™ lava rock char-broilers are covered by Star's one year parts and labor warranty.

Model 6048CBC





Star Manufacturing
International Inc.

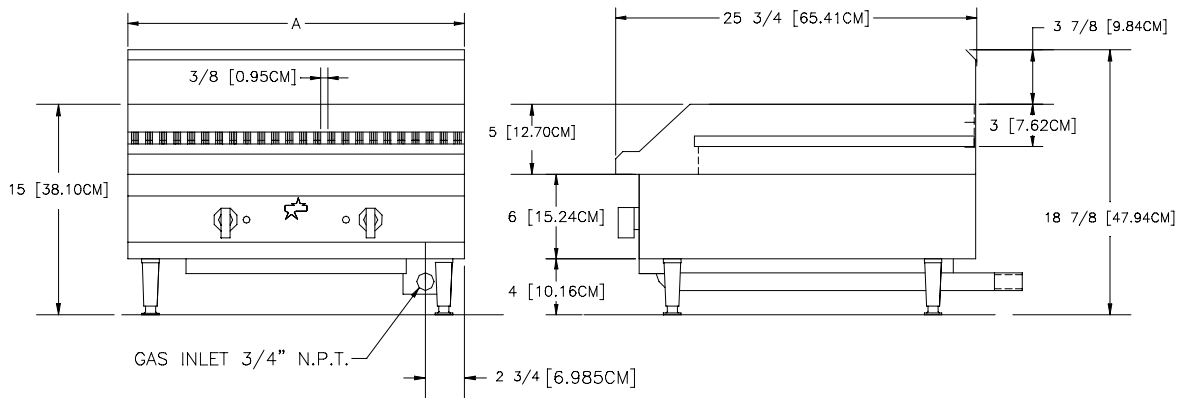
10 Sunnen Drive
P.O. Box 430129
St. Louis, MO 63143

Phone: (800) 264-7827
(314) 781-5353 (Int'l)
FAX: (800) 264-6666
(314) 781-4344 (Int'l)
www.star-mfg.com

Star-Max™ Lava Rock Gas Char-Broilers

Model 6015CBB
Model 6024CBB
Model 6036CBB
Model 6048CBB

Heavy Duty Lava Rock Gas Char-Broilers from Star...



Specifications

Model No.	Dimensions			No. Controls	BTU	Grid Area	Weight	
	Width(A)	Depth	Height				Installed	Shipping
6015CBC	15" (38.1 cm)	25-3/4" (65.4 cm)	18-7/8" (47.9 cm)	1	*40,000	300 sq. in. (1935 sq. cm)	87 lbs. (39.5 kg)	95 lbs. (43.2 kg)
6024CBC	24" (61 cm)	25-3/4" (65.4 cm)	18-7/8" (47.9 cm)	2	*80,000	480 sq. in. (3097 sq. cm)	149 lbs. (67.7 kg)	154 lbs. (74.5 kg)
6036CBC	36" (91.4 cm)	25-3/4" (65.4 cm)	18-7/8" (47.9 cm)	3	*120,000	720 sq. in. (4645 sq. cm)	236 lbs. (107.3 kg)	256 lbs. (116.4 kg)
6048CBC	48" (121.9 cm)	25-3/4" (65.4 cm)	18-7/8" (47.9 cm)	4	*160,000	960 sq. in. (6194 sq. cm)	323 lbs. (146.8 kg)	348 lbs. (158.2 kg)

*Units operate on Natural or Propane Gas - On propane gas 35,000 BTU/HR for every 12" (30.5cm) width

Typical Specifications

Gas char-broiler is constructed with stainless steel front panel with black polycarbonate trim and double wall aluminized steel side panels. Units have a 40,000 BTU (35,000 BTU on propane gas) cast iron burner for every 12" (30.5 cm) of width and are controlled by an adjustable control valve. Lava rock briquettes are provided for even heat distribution. Cooking surface is heavy duty cast iron grate type and is adjustable in height. A stainless steel water pan is provided. Control knobs are protected by a stainless steel bull nose front. A standing pilot is provided. Char-broilers are supplied with 4" (10.2 cm) high die cast nickel plated legs that have a 1-3/4" (4.5 cm) adjustment. Gas connection is 3/4" N.P.T. male with a convertible pressure regulator provided. Units are approved for installation in non-combustible locations and are AGA Certified, NSF Listed, and CGA Approved. Printed in the U.S.A.