

Equipment Stand

Standard Tray Rail Height

Models ES28, ES28R, ES28L, ES28RL

Low Tray Rail Height

Models ES28RS, ES28LS, ES28RLS

Features & Benefits

- Perfect for cash registers or computers at the end of a school lunch line or for completing any self-serve buffet or salad bar concept.
- Increases food preparation area for microwave ovens, slicers and other appliances.
- Available with or without side rails, or with side rails to the left, right or on both sides of center drawer.
- Handy center drawer slides open to conveniently store cash, customer receipts or equipment accessories.
- Open bottom shelf features a cut out design so that the operator can sit or stand comfortably without bumping ankles or knees.
- Tough one-piece, seamless, double-wall, high-density, polyethylene construction. Polyurethane foam insulation provides greater strength and durability.
- Easy to clean and will not dent, crack, rust, chip or break.
- Tray rails are available in two convenient heights, 34¹/₂" (88 cm) and 27¹/₂" (70 cm), to accommodate service for both adults and children.
- Separate 2¹/₂" (6,4 cm) opening through both top and bottom shelves allows cords and plugs to drop safely and neatly to the floor.
- Four each 5" (12,7 cm) casters, 2 fixed, 2 swivel w/ brakes, offer smooth maneuvering across a lunchroom floor or across campus.
- Non-electrical.
- No assembly required.

Item No. _____

Specifier Identification No. _____

Model No. _____

Quantity _____



Approvals

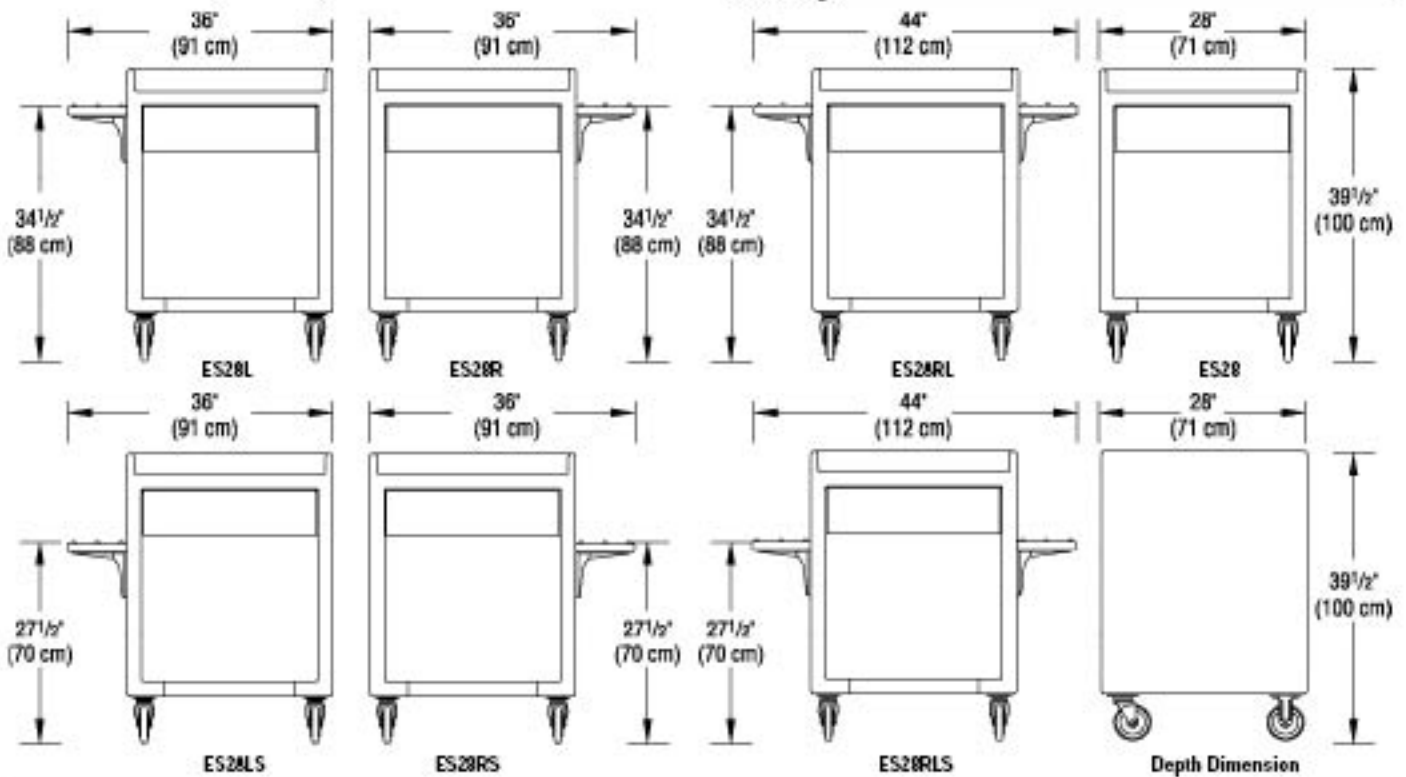
Equipment Stand

Standard Tray Rail Height

Models ES28, ES28R, ES28L, ES28RL

Low Tray Rail Height

Models ES28RS, ES28LS, ES28RLS



Specifications

Code	Description	Dimensions W x D x H (w/Tray Rails and Casters)	Case lbs./cube Kg/m ³
Standard Model			
ES28	Stand only	28" x 28" x 39 1/2" (71 x 71 x 100 cm)	76 (19.15) 35 (0.54)
ES28R	Stand w/Rail on right side	36" x 28" x 39 1/2" (91 x 71 x 100 cm)	93 (19.15) 38 (0.54)
ES28L	Stand w/Rail on left side	36" x 28" x 39 1/2" (91 x 71 x 100 cm)	93 (19.15) 38 (0.54)
ES28RL	Stand w/Rails on right and left sides	44" x 28" x 39 1/2" (112 x 71 x 100 cm)	99 (19.15) 41 (0.54)

Dimension Tolerance: +/- 1/16" (0.64 cm)

Code	Description	Dimensions W x D x H (w/Tray Rails and Casters)	Case lbs./cube Kg/m ³
Low Model			
ES28RS	Stand w/Rail on right side	36" x 28" x 39 1/2" (91 x 71 x 100 cm)	93 (19.15) 38 (0.54)
ES28LS	Stand w/Rail on left side	36" x 28" x 39 1/2" (91 x 71 x 100 cm)	93 (19.15) 38 (0.54)
ES28RLS	Stand w/Rails on right and left sides	44" x 28" x 39 1/2" (112 x 71 x 100 cm)	99 (19.15) 41 (0.54)

Approvals



CAMBRO
MANUFACTURING COMPANY
<http://www.cambro.com>

© 2002 Cambro Manufacturing Company 5801 Skylab Road, Huntington Beach, California 92647-2056-U.S.A.
Telephone (714) 849 1555 Toll Free 800 854 7631 Customer Service Hot Line 800 833 3003

Printed in USA