

WARING® COMMERCIAL HI-POWER BLENDERS



X WARING COMMERCIAL **Hi-Power Blender Series**

MX1200XT/MX1200XTP/MX1200XTS

Features

- Heavy-duty 3.5 peak input HP motor
- 45,000 RPM (bare motor speed)
- Great for smoothies, bar drinks, soups, salsas, sauces, desserts, dressings and more
- Adjustable speeds from 1,500 to 20,000 RPMs
- Max pulse with 30,000 RPM burst of speed
- One-piece dishwasher-safe removable jar pad
- Sound enclosure available for quiet operation (SE500/SE1000)



MX1200XT



Xtreme Hi-Power Blender Series



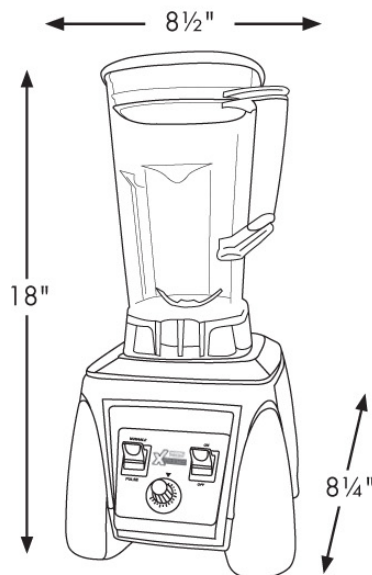
MX1200XT/MX1200XTP/MX1200XTS

Specifications

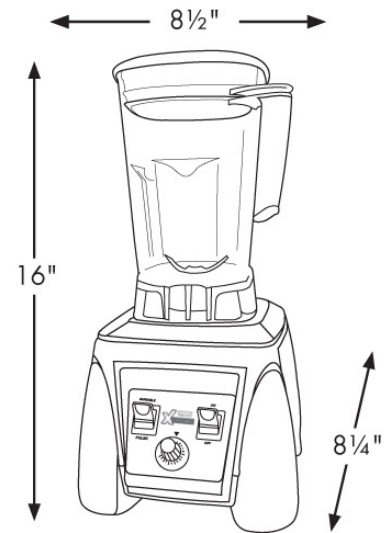
| Item | Electrical | Listings | RPM (bare motor) | Dimensions (H" x W" x D") | Warranty |
|------------------------|-------------------------------|----------|---------------------|------------------------------|--|
| MX1200XT/ MX1200XTS | 120 Volt, 13 Amp, 50/60 Hz | ETL,NSF | 45,000 | 18"x8½"x8¼" | Limited 3 Year Motor and 2 Year Parts and Labor |
| MX1200XTP | 120 Volt, 13 Amp, 50/60 Hz | ETL,NSF | 45,000 | 16"x8½"x8¼" | Limited 3 Year Motor and 2 Year Parts and Labor |

Ordering Information

| Description | Catalog # | Std Pkg. | Ship Wt. (Lbs.) | Cubic Feet | UPC Code |
|--|-----------|----------|--------------------|------------|--------------|
| Xtreme Hi-Power Blender with 64 oz. Polycarbonate Container | MX1200XT | 1 | 15 lbs. | 0.92 | 040072006906 |
| Xtreme Hi-Power Blender with 48 oz. Polycarbonate Container | MX1200XTP | 1 | 15 lbs. | 0.92 | 040072006913 |
| Xtreme Hi-Power Blender with 64 oz. Stainless Steel Container | MX1200XTS | 1 | 16 lbs. | 0.92 | 040072006920 |
| 48 oz. Polycarbonate Container | CAC93 | 1 | 3.5 lbs. | 0.33 | 040072004575 |
| 64 oz. Polycarbonate Container | CAC89 | 1 | 3.5 lbs. | 0.34 | 040072002342 |
| 64 oz. Stainless Steel Container | CAC90 | 1 | 6 lbs. | 0.34 | 040072002359 |
| Sound Enclosure for Xtreme Series 64 oz. Containers | SE1000 | 1 | 5.5 lbs. | 1.05 | 040072002366 |
| Sound Enclosure for Xtreme Series 48 oz. Containers | SE500 | 1 | 5 lbs. | 0.95 | 040072007668 |



MX1200XT/MX1200XTS



MX1200XTP

Waring Commercial • 314 Ella T. Grasso Ave. • Torrington • Connecticut 06790
 Tel. (800) 492-7464 • Fax (860) 496-9008 • www.waringproducts.com • ©2006 Waring