

# Carts & Kiosks - Hand Sink Cart

Contact Your Vollrath Sales Representative for Custom Carts & Kiosks!

Carts & Kiosks—Hand Sink Cart

**Option:** Base color option

- laminated (one color) all sides
- painted base (one color) all sides
- digital graphics (artwork supplied by customer) on front and/or sides

**Standard:** Matching backsplash

**Standard:** Heavy duty paddle latch doors (qty. 2)

**Standard:** Choice of single, double or triple bay sink

**Standard:** Polyform countertop

**Option:** 1" (2.5cm) bumper (all sides)

Item 75673 — Triple bay hand sink cart shown with modular options

**Standard:** Heavy-duty casters

**Standard:** Permanent counter-mounted water system including 5 gallon fresh water tank, 7½ gallon wastewater tank, 2½ gallon water heater, pump and plumbing

**Standard:** Available in cost effective WCM (wood composite material) or lightweight ACM (aluminum composite material)

- Standard ACM carts are available in black, white, or silver
- Standard WCM carts are available in Harvest Cherry, Natural Maple, Castle Oak, or Black
- Matching toe kick



Item 75684 — Single Bay Hand Sink Cart

**Standard Feature (Not Shown)**

- Open storage (front)
- 120V 20AMP cord/plug, NEMA 5-20

**Optional Feature (Not Shown)**

- 16" x 16" (40.64 x 40.64cm) fold-down polyform shelf

For WCM (Wood Composite), carts add the letter "W" to the end of the model number. See Autoquotes for pricing information.



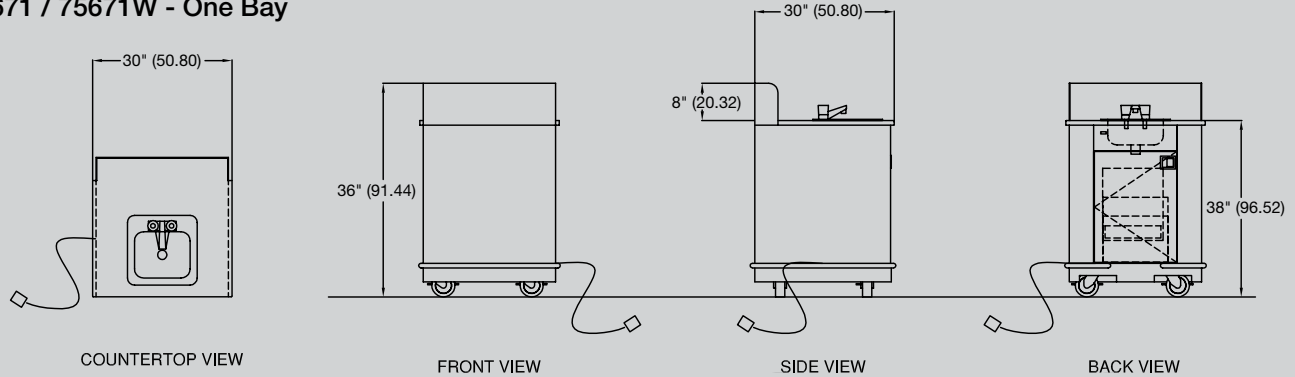
Setting the Standard™

For more details on ACM/WCM, visit [www.vollrathco.com](http://www.vollrathco.com)

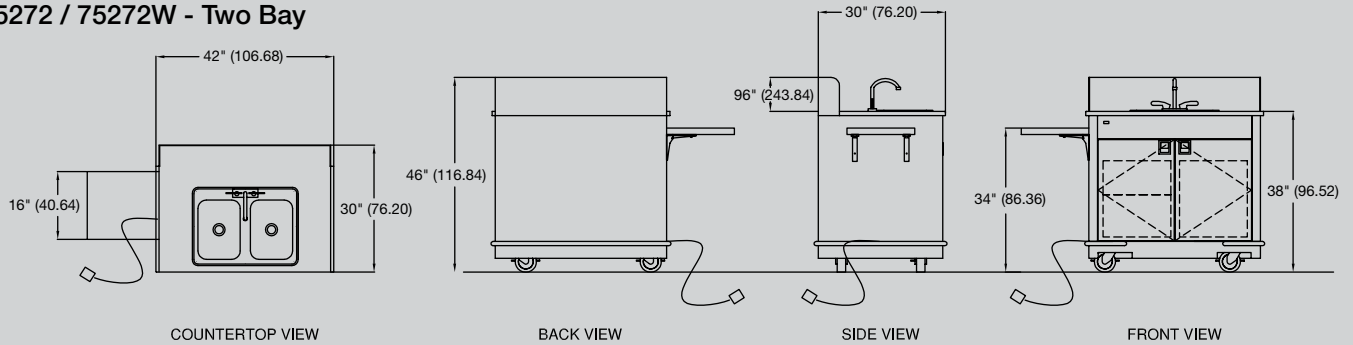
# Carts & Kiosks - Hand Sink Cart

Hand Sink Cart — Dimensions shown in IN (CM)

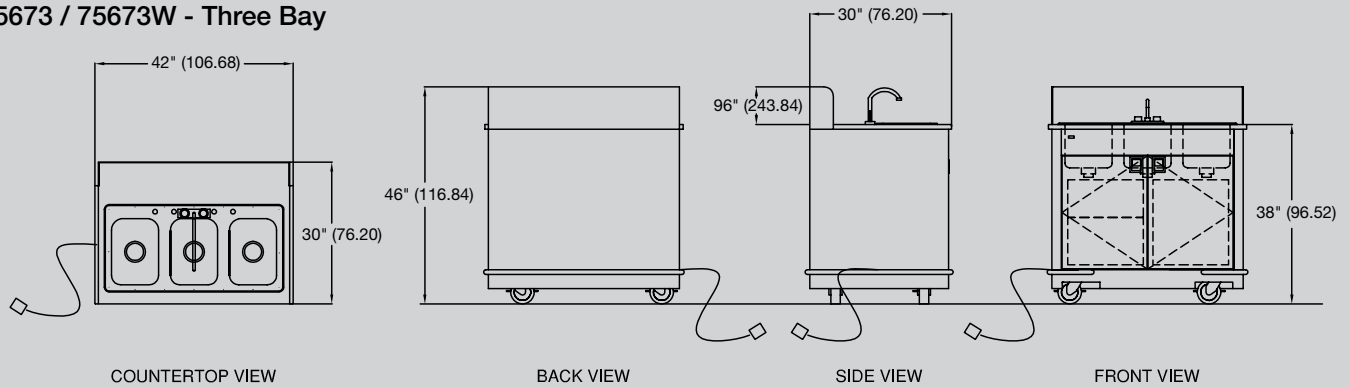
## 75671 / 75671W - One Bay



## 75272 / 75272W - Two Bay



## 75673 / 75673W - Three Bay



Receptacles



The Vollrath Company, L.L.C.  
 1236 North 18th Street  
 Sheboygan, WI 53081-3201 USA  
 Customer Service: 800.628.0830  
 Equipment Service: 800.628.0832  
 Main PH: 920.457.4851  
 Fax: 920.459.6573  
 Form L35700 Rev 7/10



Setting  
the Standard™