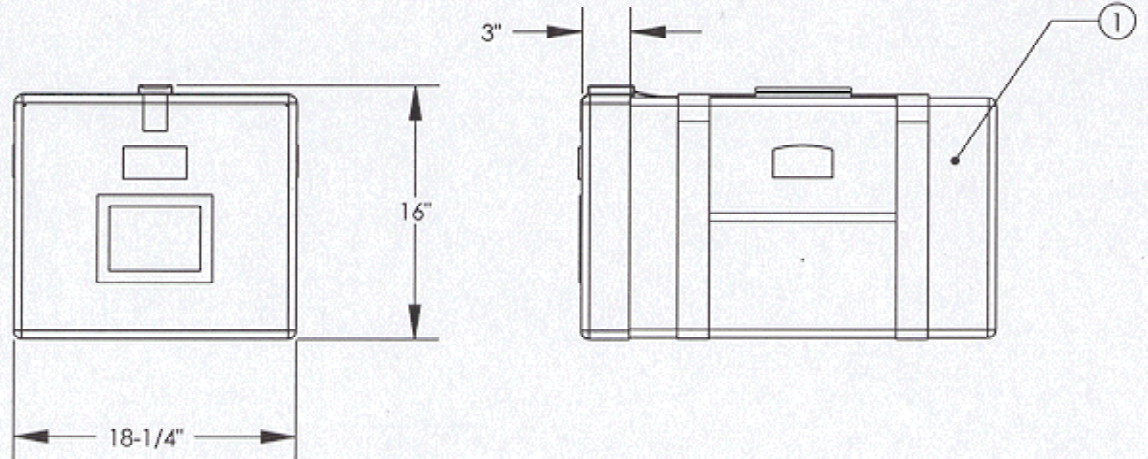
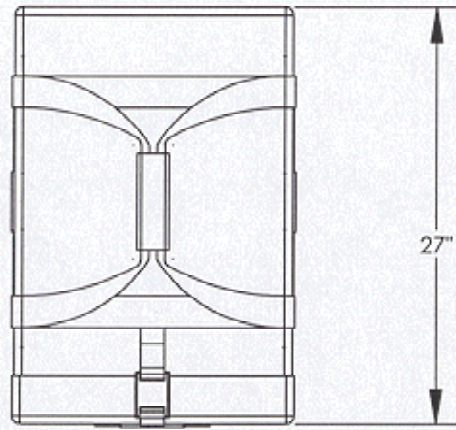
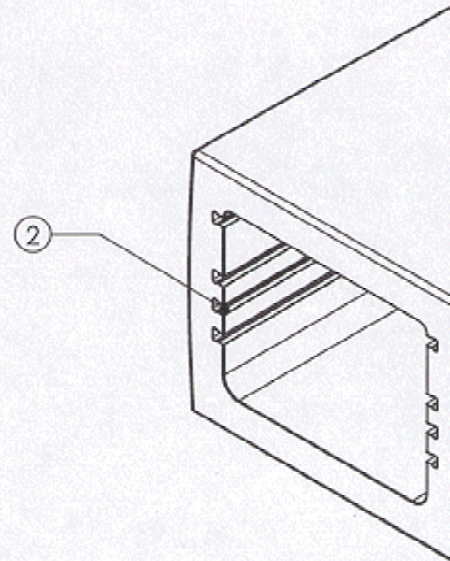
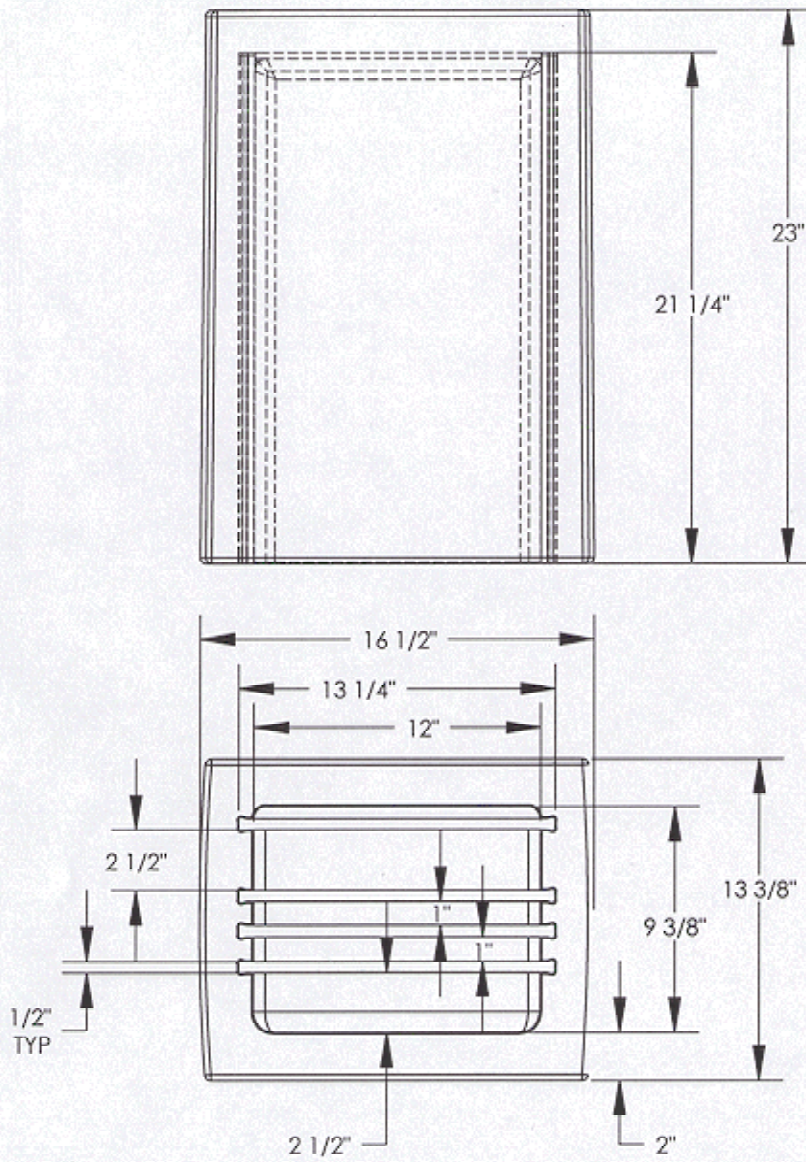




Product Group: Food Service
Product Name: Proserve, Small End Load Full Pan Carrier
Item Numbers: 9F12



| | | |
|---------------------------------|------------------------|-------|
| total part wt. 9.5 LBS | agency approvals _____ | |
| capacity THREE 2-1/2" OR TWO 4" | miscellaneous _____ | |
| DEEP PANS | _____ | produ |
| _____ | _____ | produ |



| | |
|---------------------------------|------------------------|
| total part wt. 9.5 LBS | agency approvals _____ |
| capacity THREE 2-1/2" OR TWO 4" | miscellaneous _____ |
| DEEP PANS | _____ |
| _____ | _____ |

produ
produ

Additional Information:

Last Modified by: NR Administrator/RCP on 04/06/2004 04:34:14 PM

Modifier Log: