

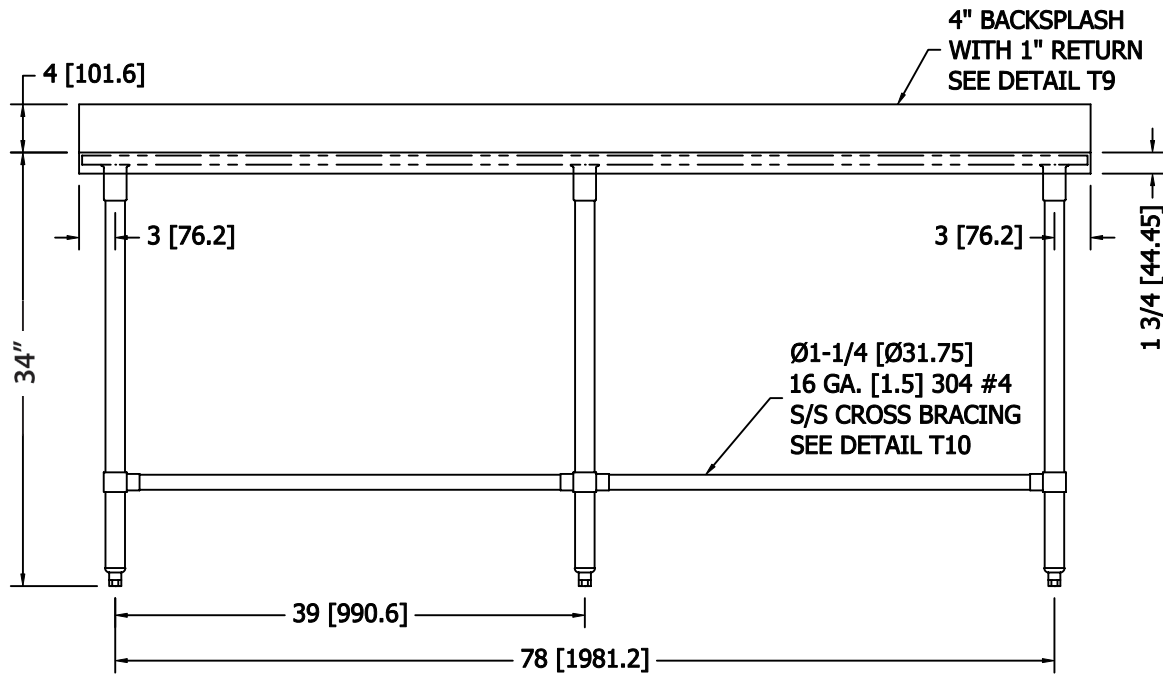
16 GA. [1.5] 304 #4  
S/S CONSTRUCTION  
SEE DETAIL T8

PLAN VIEW

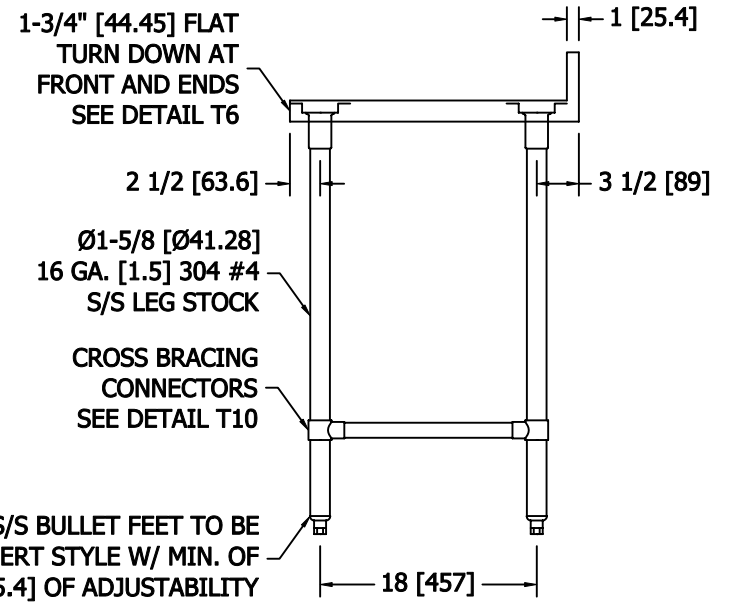
GALV. HAT CHANNEL  
UNDERSTRUCTURE  
SEE DETAIL T3  
AND DETAIL T4

**NOTE:**

1. ALL VISIBLE WELDS TO BE GROUND SMOOTH AND POLISHED TO A MATCHING FINISH.
2. ALL NON-VISIBLE WELDS TO BE GROUND SMOOTH AND PAINTED WITH F.I. APPROVED PAINT
3. ALL EDGES TO BE SMOOTH AND FREE FROM BURRS
4. ALL FABRICATION TECHNIQUES AND COMPONENTS TO BE APPROVED BY F.I. PRIOR TO FABRICATION



FRONT ELEVATION



END VIEW

S/S BULLET FEET TO BE  
INSERT STYLE W/ MIN. OF  
1" [25.4] OF ADJUSTABILITY