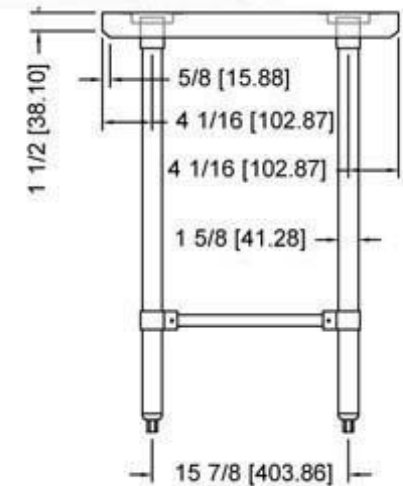
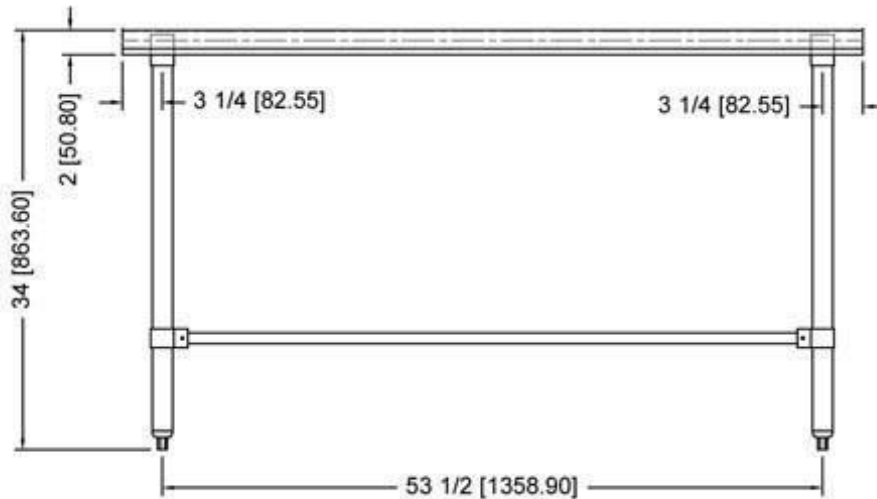




Open base worktable 24"X60" ,16GA.304S/S flat top shelf  
 18GA.430S/S stainless steel hat channel  
 Stainless steel socket on hat channel  
 Stainless steel leg and bullet feet  
 "U" shape stainless steel leg bracing with aluminum socket  
 Carton packing  
 N.W.:24.20KGS G.W.:27.50KGS



**600WT24X60SS**