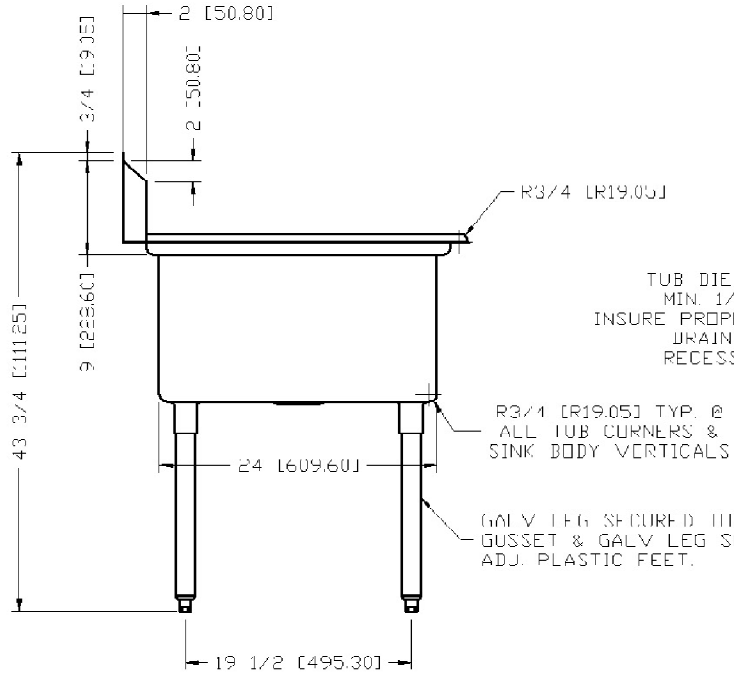
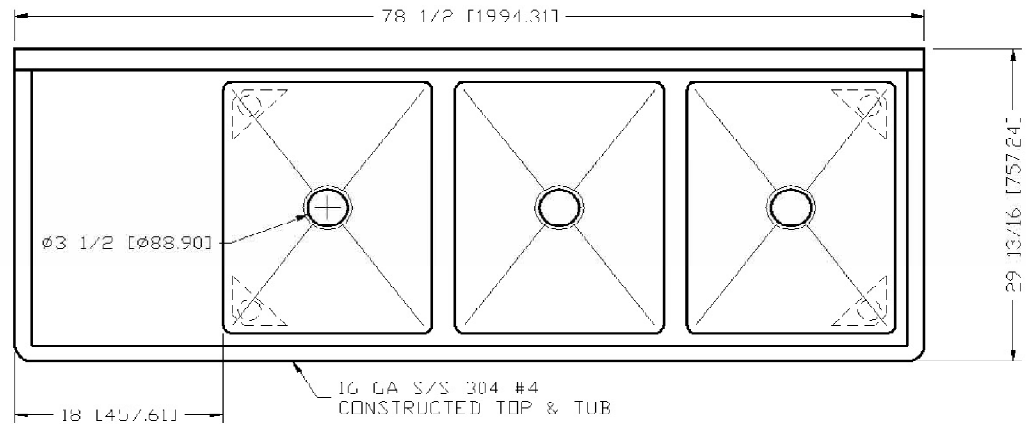
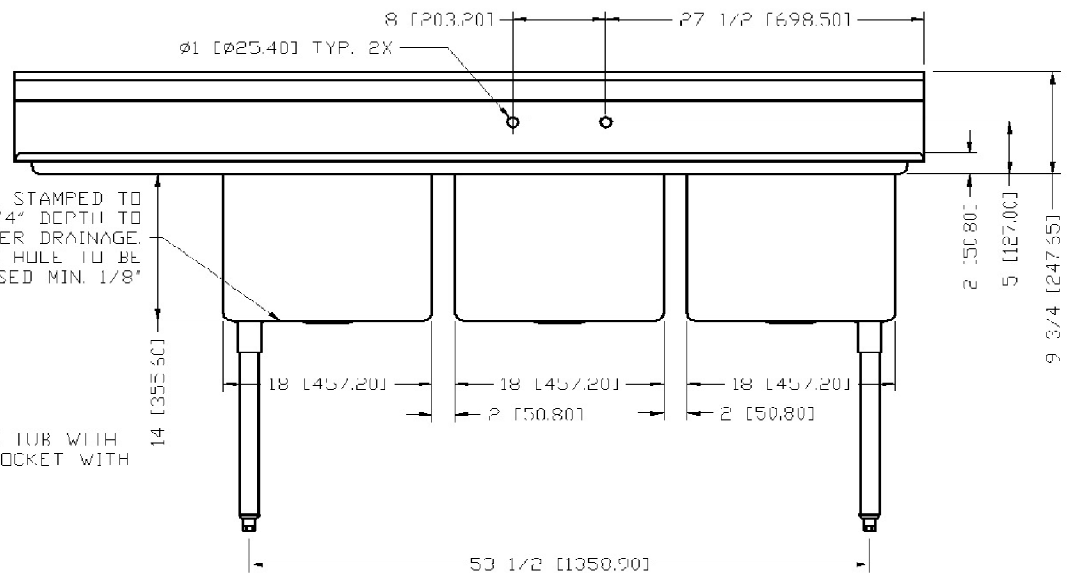


NOTE:

1. ALL VISIBLE WELDS TO BE GROUND SMOOTH & POLISHED TO A MATCHING FINISH.
2. ALL NON-VISIBLE WELDS TO BE GROUND SMOOTH & PAINTED W/ SSP APPROVED PAINT.
3. ALL EDGES TO BE SMOOTH & FREE FROM BURRS.
4. ALL FABRICATION TECHNIQUES AND COMPONENTS TO BE APPROVED BY SSP ILLINOIS FABRICATION.
5. ALL TUBS TO BE DIE STAMPED MIN. 1/4" TO INSURE PROPER DRAINAGE, ALL DRAIN HOLES TO BE RECESSED MIN. 1/8"
6. ALL SINKS W/ DRAIN BOARDS ARE TO HAVE DRAIN BOARDS DIPPED MIN. 1/4" TO INSURE PROPER DRAINAGE (DRAIN BOARD SIDE ONLY)



TUB DIE STAMPED TO MIN. 1/4" DEPTH TO INSURE PROPER DRAINAGE. DRAIN HOLE TO BE RECESSED MIN. 1/8"



14-3018X24-L-18



QTY

PO#