

16-GAUGE STAINLESS STEEL ONE COMPARTMENT SINK WITHOUT DRAINBOARDS

ITEM #: _____ QUANTITY: _____

PROJECT: _____

APPROVAL: _____

DATE: _____



FEATURES

- Made of high-quality 16-gauge, type 304 stainless steel
- Galvanized 1⁵/₈" steel legs with sockets
- Adjustable bullet feet for added stability
- Faucet holes pre-punched on 8" centers (faucet sold separately)
- 3¹/₂" IPS drain connection
- Rolled edge contains splashes and overflow



SPECIFICATIONS

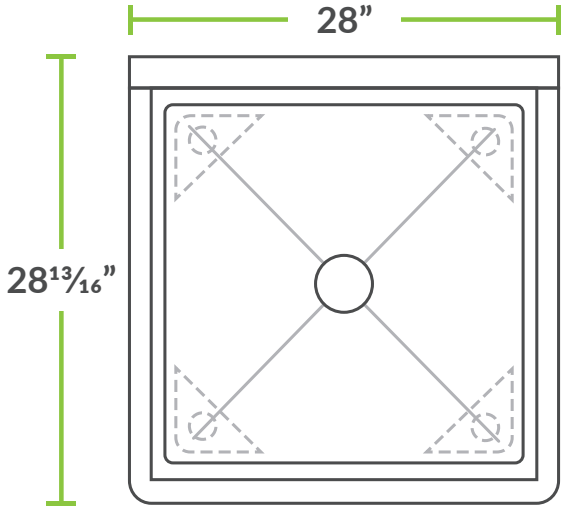
ITEM	LENGTH	DEPTH	HEIGHT (Total)	HEIGHT (Work)	BOWL DEPTH	BOWL L to R	BOWL F to B	NUMBER OF DRAINBOARDS	SIDE	NET WEIGHT
600S12323G	28"	28 ¹³ / ₁₆ "	44 ³ / ₄ "	36 ¹ / ₂ "	12"	23"	23"	0	N/A	48 LB.



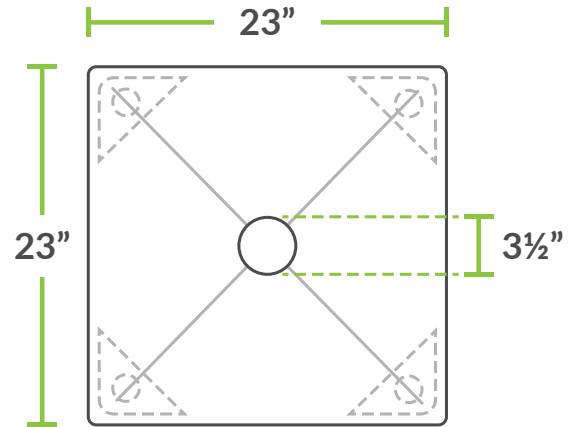
16-GAUGE STAINLESS STEEL
ONE COMPARTMENT SINK
WITHOUT DRAINBOARDS



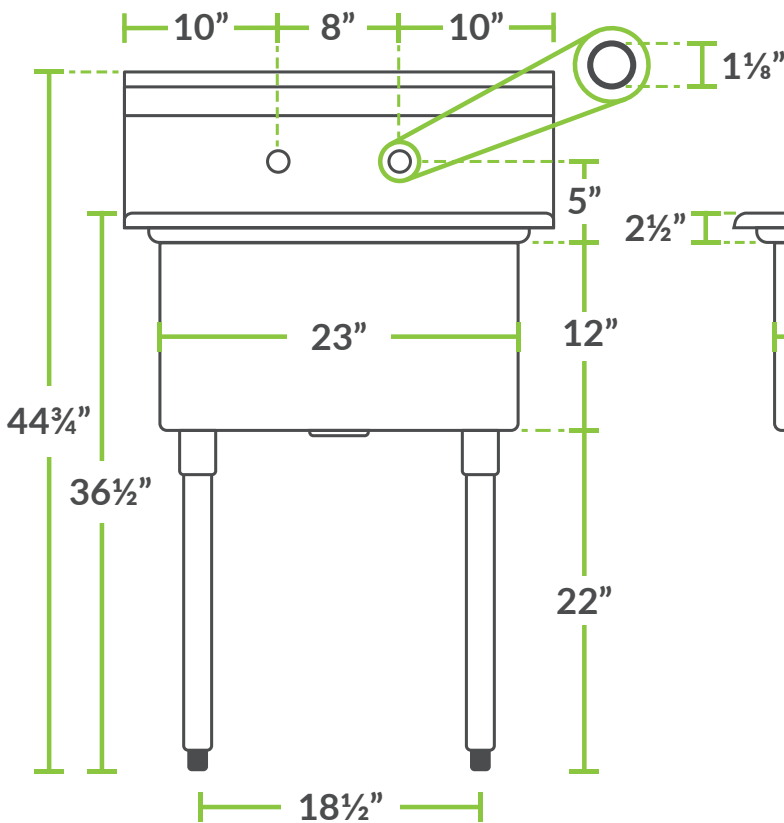
TOP



BOWL



FRONT



SIDE

