

# 16-GAUGE STAINLESS STEEL ONE COMPARTMENT SINK WITHOUT DRAINBOARDS

ITEM #: \_\_\_\_\_ QUANTITY: \_\_\_\_\_

PROJECT: \_\_\_\_\_

APPROVAL: \_\_\_\_\_

DATE: \_\_\_\_\_



## FEATURES

- Made of high-quality 16-gauge, type 304 stainless steel
- Galvanized 1<sup>5</sup>/<sub>8</sub>" steel legs with sockets
- Adjustable bullet feet for added stability
- Faucet holes pre-punched on 8" centers (faucet sold separately)
- 3<sup>1</sup>/<sub>2</sub>" IPS drain connection
- Rolled edge contains splashes and overflow



## SPECIFICATIONS

ITEM	LENGTH	DEPTH	HEIGHT (Total)	HEIGHT (Work)	BOWL DEPTH	BOWL L to R	BOWL F to B	NUMBER OF DRAINBOARDS	SIDE	NET WEIGHT
600S11723G	22"	28½"	44¾"	36½"	12"	17"	23"	0	N/A	42 LB.

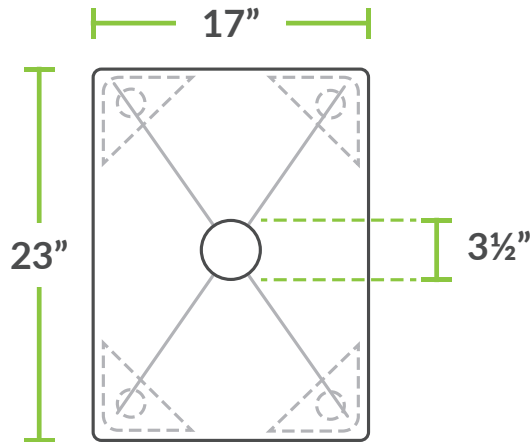
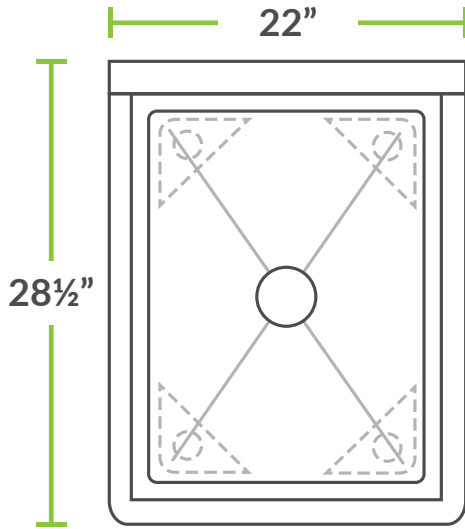


16-GAUGE STAINLESS STEEL  
ONE COMPARTMENT SINK  
WITHOUT DRAINBOARDS



TOP

BOWL



FRONT

SIDE

