

16-GAUGE STAINLESS STEEL ONE COMPARTMENT SINK WITHOUT DRAINBOARDS

ITEM #: _____ QUANTITY: _____

PROJECT: _____

APPROVAL: _____

DATE: _____



FEATURES

- Made of high-quality 16-gauge, type 304 stainless steel
- Galvanized 1⁵/₈" steel legs with sockets
- Adjustable bullet feet for added stability
- Faucet holes pre-punched on 8" centers (faucet sold separately)
- 3¹/₂" IPS drain connection
- Rolled edge contains splashes and overflow



SPECIFICATIONS

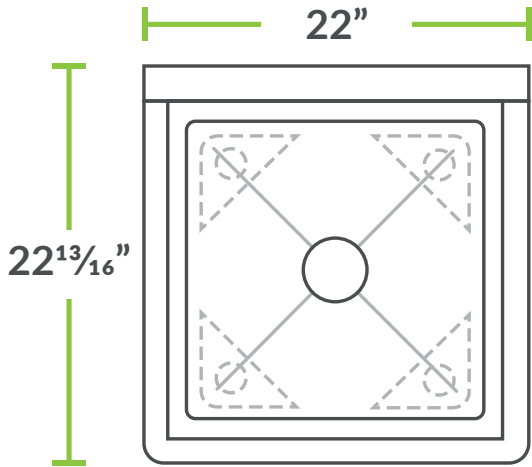
| ITEM | LENGTH | DEPTH | HEIGHT (Total) | HEIGHT (Work) | BOWL DEPTH | BOWL L to R | BOWL F to B | NUMBER OF DRAINBOARDS | SIDE | NET WEIGHT |
|------------|--------|------------------------------------|----------------------------------|----------------------------------|------------|-------------|-------------|-----------------------|------|------------|
| 600S11717G | 22" | 22 ¹³ / ₁₆ " | 44 ³ / ₄ " | 36 ¹ / ₂ " | 12" | 17" | 17" | 0 | N/A | 37 LB. |



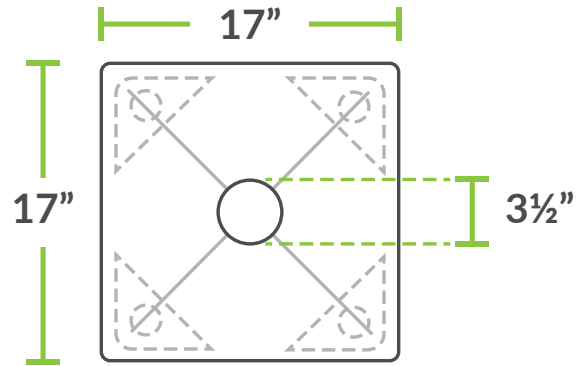
16-GAUGE STAINLESS STEEL
ONE COMPARTMENT SINK
WITHOUT DRAINBOARDS



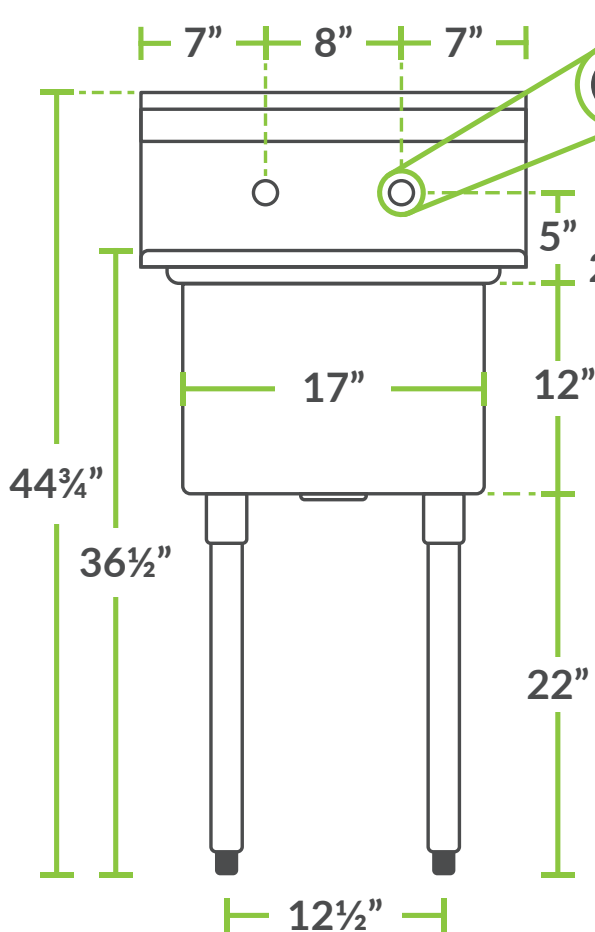
TOP



BOWL



FRONT



SIDE

