

# STAINLESS STEEL Microwave Shelf

**REGENCY**  
Space Solutions



## FEATURES

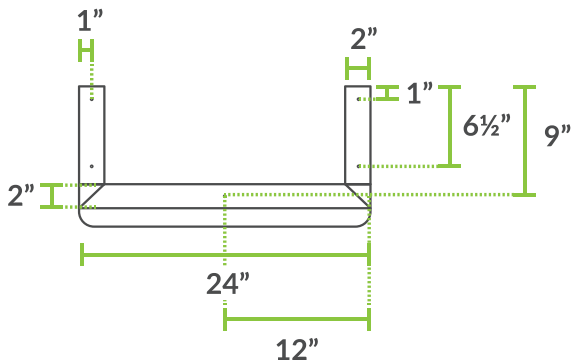
- 24" x 18" stainless steel microwave shelf
- 18-gauge type 430 stainless steel
- Includes a grommet hole to allow power cords to pass through



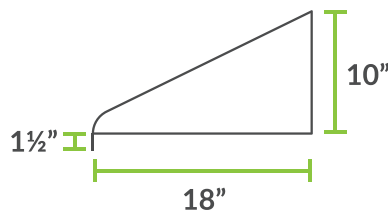
## SPECIFICATIONS

ITEM	GAUGE	DEPTH	WIDTH	LOADING CAPACITY	GROMMET
600MS1824	18 Gauge	18"	24"	185 lb.	Included

**FRONT**



**SIDE**



**TOP**

