

DECK MOUNTED PRE-RINSE FAUCET

ITEM #: _____ QUANTITY: _____

PROJECT: _____

APPROVAL: _____

DATE: _____



FEATURES

- 4" single inlet centers with 1/4" NPT connections
- 44" long flexible gooseneck hose
- Finger hook and wall bracket included
- Attractive chrome-plated copper construction with low lead content



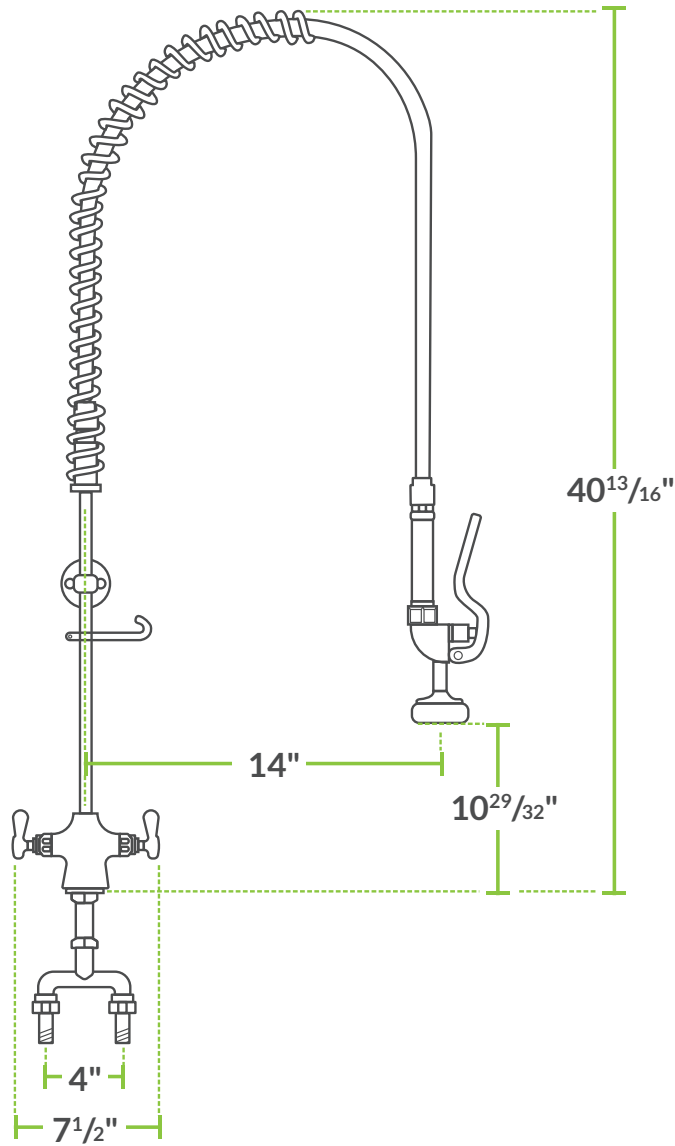
SPECIFICATIONS

ITEM	HOSE LENGTH	FAUCET LENGTH	FAUCET CENTERS	HANDLE TYPE	MAX WATER TEMP	PRE-RINSE UNIT	FLOW RATE
600FPRDFA12K	44"	12"	4"	LEVER	140°F	HOSE/SPRING	1.15 GPM
600FPRDF12LL	44"	12"	4"	LEVER	140°F	HOSE/SPRING	1.15 GPM
600FPRDLLLLF	44"	N/A	4"	LEVER	140°F	HOSE/SPRING	1.15 GPM

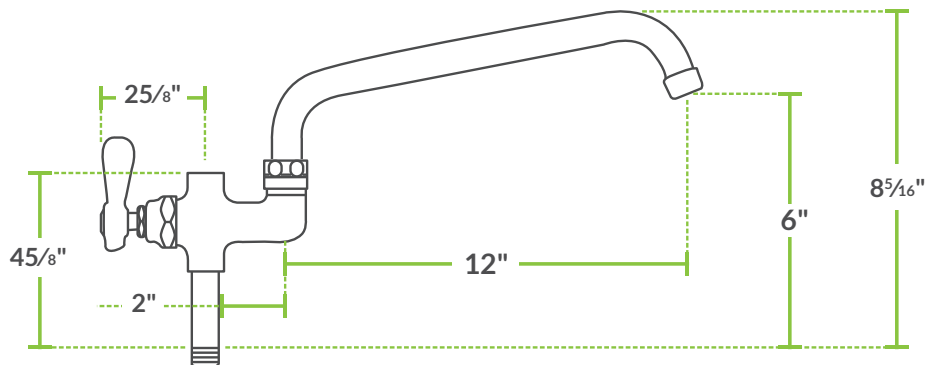
07/2020

DECK MOUNTED PRE-RINSE FAUCET

REGENCY
Plumbing and Hardware



INCLUDED WITH MODELS 600FPRDFAI2K & 600FPRDFI2LL



REGENCYTABLESANDSINKS.COM