

DECK MOUNTED GOOSENECK FAUCET WITH CHROME-PLATED BRASS

ITEM #: _____ QUANTITY: _____

PROJECT: _____

APPROVAL: _____

DATE: _____



FEATURES

- ½" NPS Connection
- Gooseneck swing spout provides ample reach
- 4" center inlets allow for fast installation
- Attractive chrome-plated brass construction
- "Hot" and "cold" labeled handles for easy identification



SPECIFICATIONS

ITEM	NOZZLE SPREAD	NOZZLE HEIGHT	FAUCET CENTERS	FLOW RATE	INLETS	MAX WATER TEMP	MOUNTING STYLE
600FD44GLL	3½"	7⅞"	4"	2.0 GPM	½" NPS	140°F	Deck Mount
600FD46GLL	6"	9½"	4"	2.0 GPM	½" NPS	140°F	Deck Mount
600FD48GLL	8½"	12¾"	4"	2.0 GPM	½" NPS	140°F	Deck Mount

09/2021

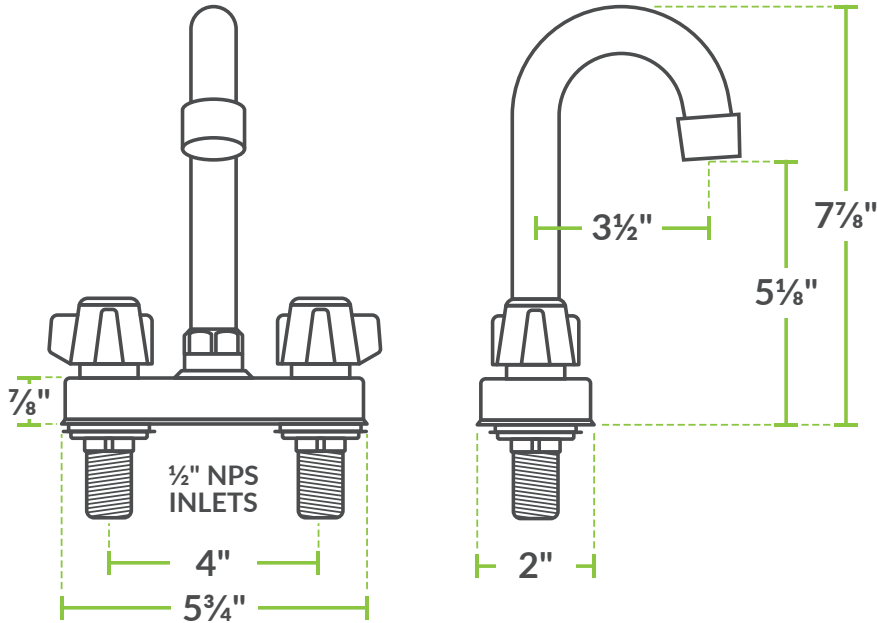
DECK MOUNTED GOOSENECK FAUCET WITH CHROME-PLATED Brass

REGENCY
Plumbing and Hardware

600FD44GLL • 8" SPOUT

FRONT

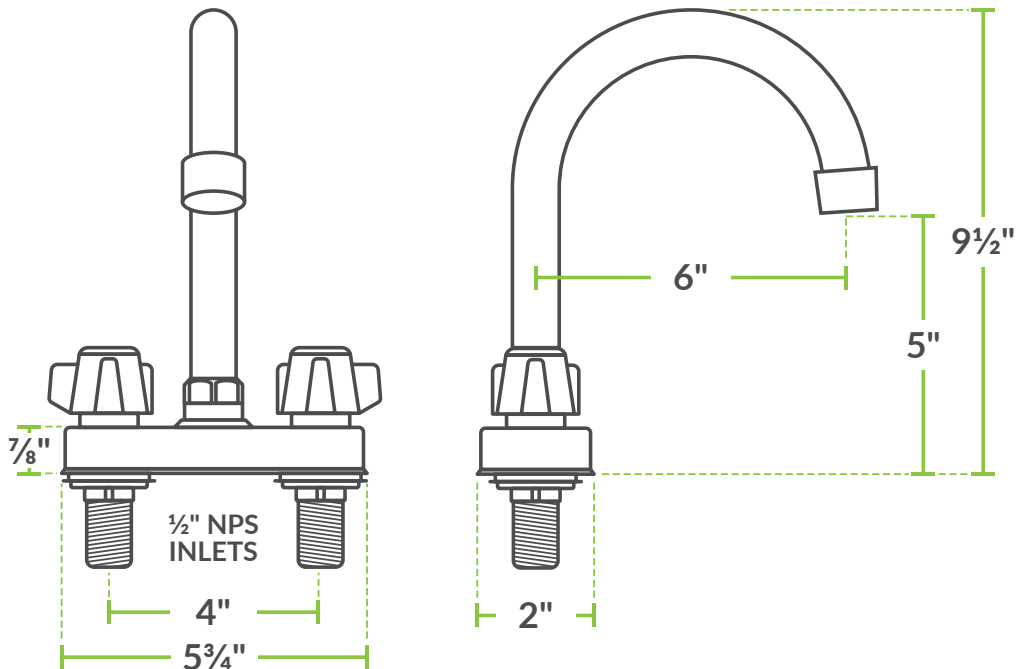
SIDE



600FD46GLL • 10" SPOUT

FRONT

SIDE



NSF

Certified to
NSF/ANSI 61 & 372

REGENCYTABLESANDSINKS.COM

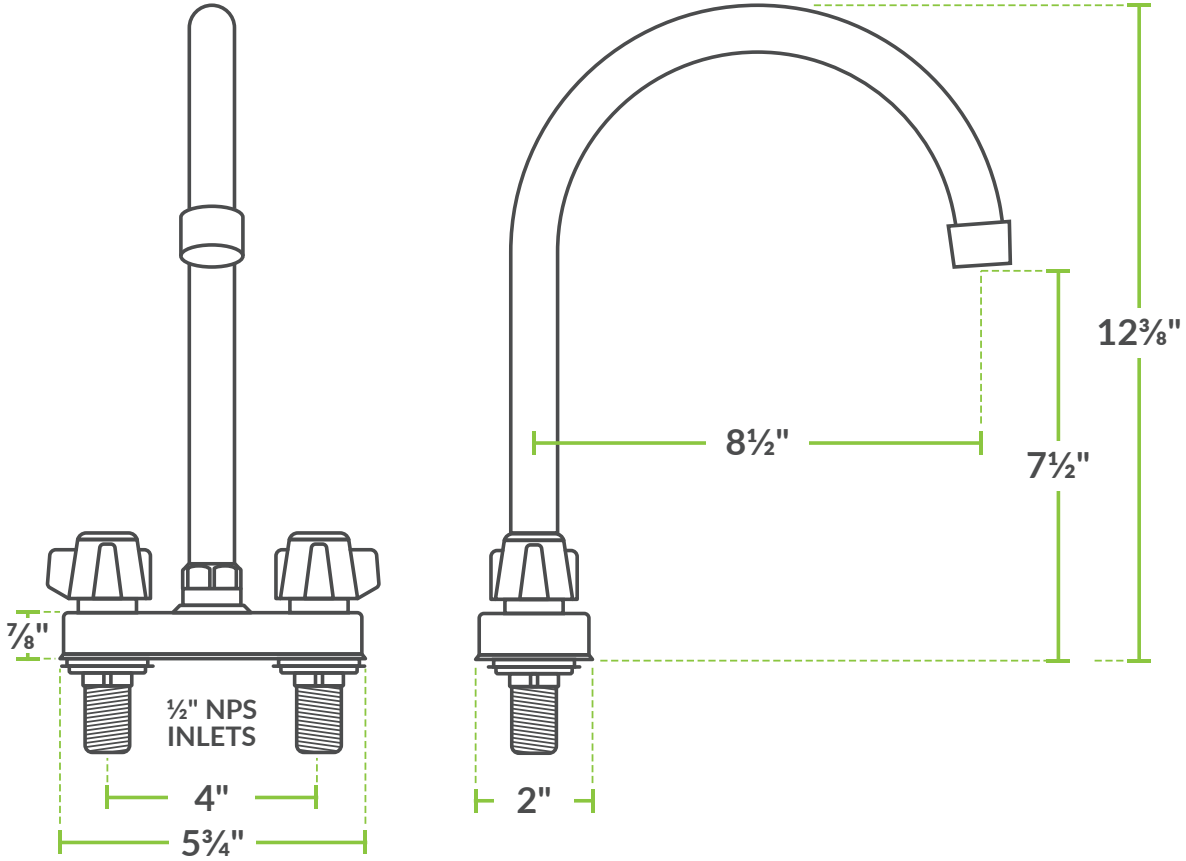
DECK MOUNTED GOOSENECK FAUCET WITH CHROME-PLATED Brass

REGENCY
Plumbing and Hardware

600FD48GLL • 12" SPOUT

FRONT

SIDE



Certified to
NSF/ANSI 61 & 372