



Air-Flex™ Insect Barrier Installation Instructions Using the MaxBullet™ HTP System

Diagram 1
Under Header (Lintel) Position

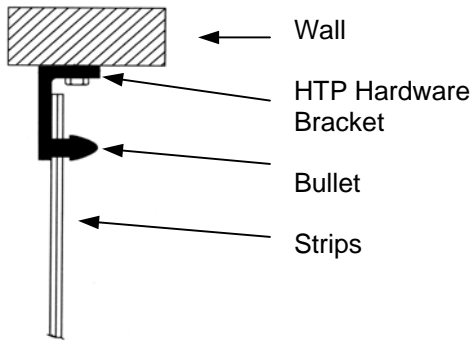


Diagram 2
Wall (Header) Position

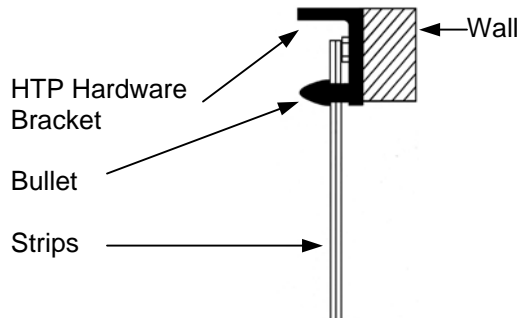
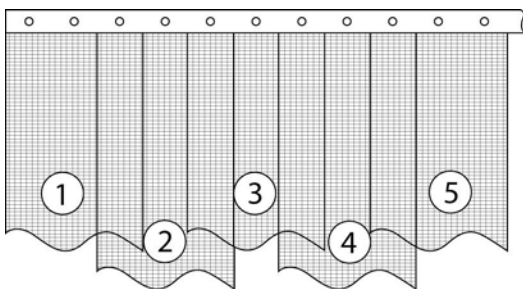


Diagram 3
Front View Strip Spacing



TOOLS NEEDED

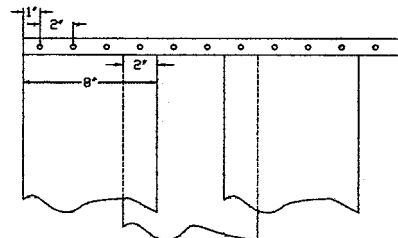
- Pen or Pencil to Mark Drill Holes
- Drill
- Step Stool or Ladder
- Utility Knife to Cut Strips

IMPORTANT

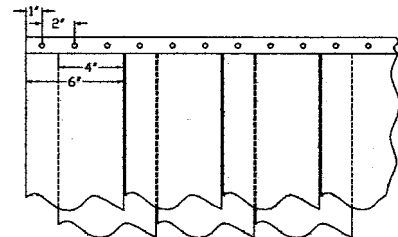
Some door models feature alternating clear PVC strips. Prior to installation, **unroll all door strips** and place them on a clean, flat surface in a warm atmosphere for a minimum of twenty-four (24) hours. This will allow the strips to return to their original form.

1. Mount the MaxBullet™ hardware bracket in either the under header or wall position shown in Diagrams 1 and 2 using the appropriate fasteners supplied.
2. Press the door strips onto the “bullets” of the hardware bracket making certain that the concave sides are facing each other. Attach strip numbers 1 and 3 (see Diagram 3) leaving desired spacing between strips as indicated below (Diagram 4).
3. Attach strip number 2 over strip numbers 1 and 3 (Diagram 3).
4. Attach all of the remaining door strips in the same manner as in Steps 2 and 3.

Diagram 4



PARTIAL OVERLAP 50%



FULL OVERLAP 100%

INSECT STRIP DOOR SYSTEM

Innovative design and ease-of-function gives you a **FASTER, CLEANER & SAFER** way to repel insects!

AIR-FLEX STRIPS

*8" Wide black, mesh strips are made of 12oz. PVC coated polyester for long life and durability.

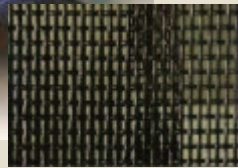
*Complete door system is 36 X 84" High

*Allows fresh air in and insects out!

*PVC material is in compliance with National Fire Protection Assoc. Codes

*Easy-to-install using Aleco's exclusive MAXBULLET mounting hardware included with every door system.

*Perfect for backdoors of restaurants, cafeterias, and food prep facilities or any open area where flying insects are a pest!



ITEM# 517405008

MAXBULLET HARDWARE

90%

FASTER

Strip Replacement Time

75%

FASTER

Initial Installation Time

*Patented one-piece system includes a unique bullet-shaped locking feature for easy snap-on/snap-off strip replacement that requires no tools!

*Significant reduction in labor and installation time as well as strip replacement!

*LIFETIME GUARANTEE on all MAXBULLET hardware!

*Mounts on side-wall or under lintel

