



# T&S BRASS AND BRONZE WORKS, INC.

2 Saddleback Cove / P.O. Box 1088  
Travelers Rest, SC 29690



REG. #A2601  
ISO #9001

Model No.

**EC-3102-SM**

Item No.

Travelers Rest, SC: 800-476-4103 Simi Valley, CA: 800-423-0150 Fax: 864-834-3518 www.tsbrass.com

This Space for Architect/Engineer Approval

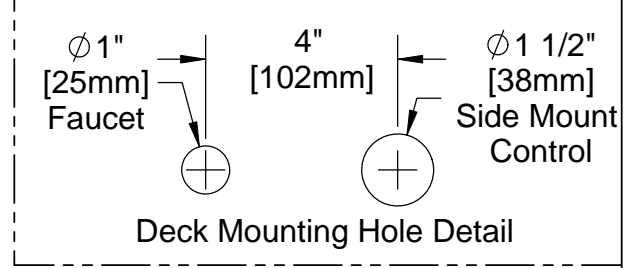
Job Name \_\_\_\_\_ Date \_\_\_\_\_

Model Specified \_\_\_\_\_ Quantity \_\_\_\_\_

Customer/Wholesaler \_\_\_\_\_

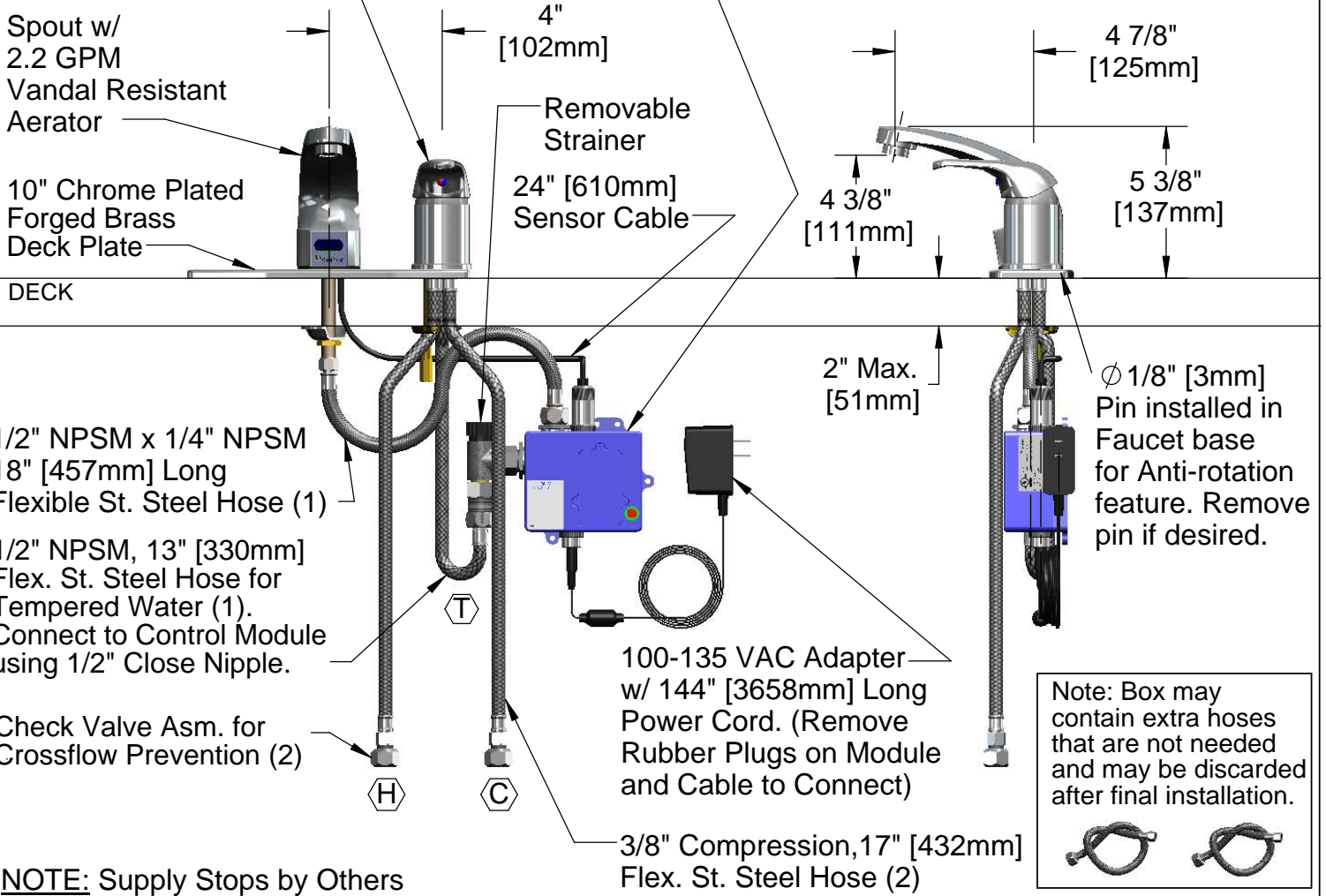
Contractor \_\_\_\_\_

Architect/Engineer \_\_\_\_\_



B-2740 Side Mount Control regulates Water Temperature and ON/OFF Setting.  
 Note: To ensure proper operation of Sensor Faucet, Side Mount Control should remain in the OPEN position at all times.

3 5/8" x 4 3/16" x 2" Deep  
 [92mm x 106mm x 51mm]  
 Water Resistant Control Module Box (Blue)  
 w/ Internal Flow Control Setting Switches,  
 AC or DC operated w/ (4) AA Batteries



**NOTE:** Supply Stops by Others

Product Specifications: Chrome Plated Brass Electronic Faucet:  
 Deck Mount Cast Spout w/ VR Aerator, Side Mount Temperature Control, AC/DC Control Module w/ Internal Flow Control Switches, 17" Long Hot & Cold Supply Hoses w/ Check Valve Assemblies

Drawn	Checked	Approved
GEF	DMH	JHB
Scale:		Date:
NTS		08/23/10



**T&S BRASS AND BRONZE WORKS, INC.**

2 Saddleback Cove / P.O. Box 1088  
Travelers Rest, SC 29690



REG. #A2601  
ISO #9001

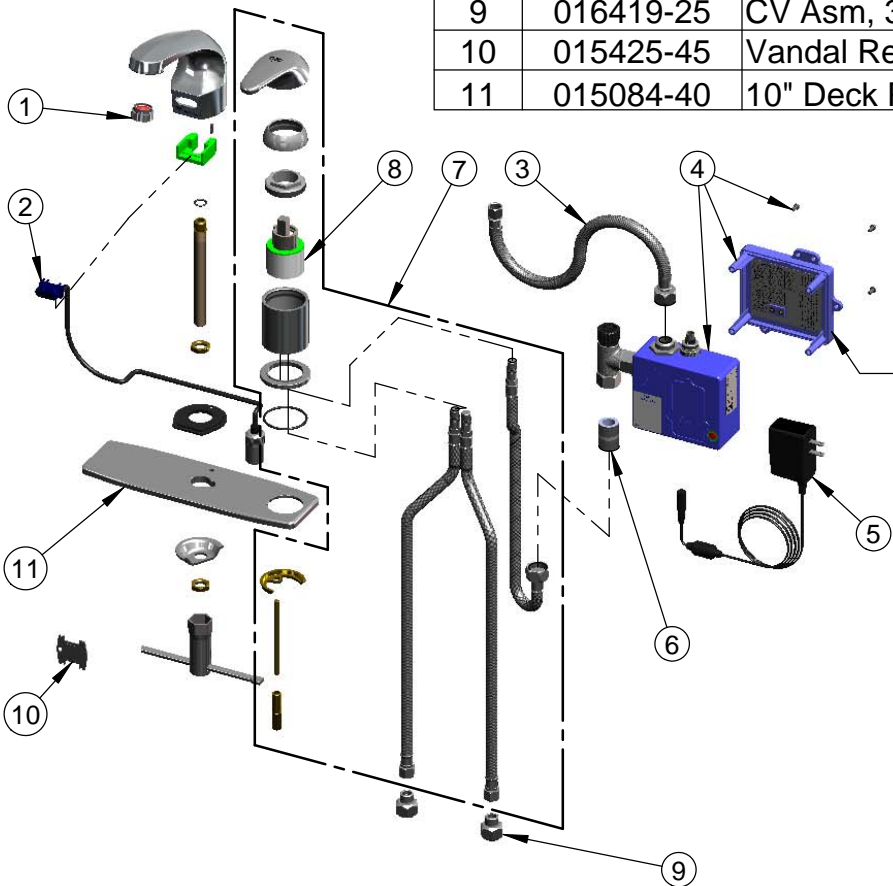
Model No.

**EC-3102-SM**

Item No.

Travelers Rest, SC: 800-476-4103 Simi Valley, CA: 800-423-0150 Fax: 864-834-3518 www.tsbrass.com

ITEM NO.	SALES NO.	DESCRIPTION
1	016355-45	Aerator w/ Key, Vandal Resistant, 2.2 GPM, 13/16-27 Male
2	017195-45	Angled Sensor w/ Cable
3	016297-45	Inlet Hose, Faucet, 1/2" NPSM-F x 1/4" NPSM-F
4	016647-45	ChekPoint Module (Blue)
5	5EF-0002	A/C Transformer
6	002534-25	Close Nipple, 1/2" x 1 5/32" Lg Rough Chrome
7	B-2740	Side Mount Control w/ Hoses & Ceramic Crtg
8	013080-45	Ceramic Cartridge, B-2730
9	016419-25	CV Asm, 3/8" Comp-F x 3/8" Comp-M
10	015425-45	Vandal Resistant Key
11	015084-40	10" Deck Plate w/ Side Mount Hole



Label for Flow Control Switch Settings is located on Inside of Back Cover.

Flow Control Switches are located inside Module Housing in Black Box next to Battery Compartment.  
\*Switches are set to DEFAULT position:  
Auto Time Out = 10 seconds  
Shut Off Delay = 1 second  
Auto Flush = OFF

Remove (4) screws and back cover to access switches.

**\*Available Water Flow Control Selections:**

(6) Auto Time Out Selections - 10 sec, 25 sec, 45 sec, 60 sec, 3 min, 20 min

(4) Shut Off Delay Selections - 1 sec, 2 sec, 4 sec, 10 sec

Auto Flush for 30 Seconds After Every 12 Inactive Hours - ON or OFF

Product Specifications: Chrome Plated Brass Electronic Faucet:  
Deck Mount Cast Spout w/ VR Aerator, Side Mount  
Temperature Control, AC/DC Control Module w/ Internal  
Flow Control Switches, 17" Long Hot & Cold Supply Hoses  
w/ Check Valve Assemblies

Drawn <b>GEF</b>	Checked <b>DMH</b>	Approved <b>JHB</b>
Scale: <b>NTS</b>		Date: <b>08/23/10</b>