



T&S BRASS AND BRONZE WORKS, INC.

2 Saddleback Cove / P.O. Box 1088
Travelers Rest, SC 29690

Model No.

B-1439

Item No.

Travelers Rest, SC: 800-476-4103 • Simi Valley, CA: 800-423-0150 • Fax: 864-834-3518 • www.tsbrass.com

This Space for Architect/Engineer Approval

Job Name _____ Date _____

Model Specified _____ Quantity _____

Customer/Wholesaler _____

Contractor _____

Architect/Engineer _____

B-0963
Continuous Pressure
Vacuum Breaker w/
Integral Check Valve

3/8" NPT x 36"
Flexible Water
Connector

3/8" NPT x 40" Riser

Stainless Steel
Quick Disconnect

Control Valve

(2) B-0109-07
Wall Brackets

EasyInstall
3/8" NPT x 16" Riser

3 11/16"
[94mm]

12 5/8"
[321mm]

Ø 2" [51mm]
Flanges w/
1/2" NPT
Female Inlets

8"
[203mm]
Adjustable From
7 3/4" to 8 1/4"
[197mm to 210mm]

Open Stainless Steel
Hose Reel w/
50' of 3/8" Hose

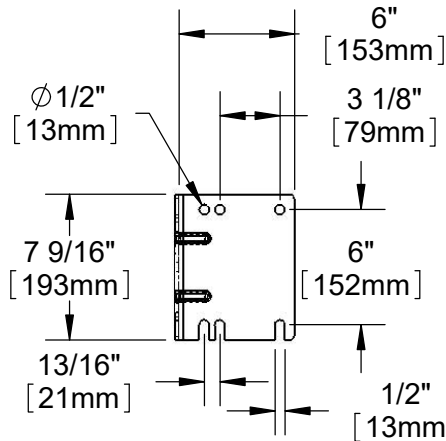
019652-40
3/8" NPT
Live Swivel

Front Trigger
Water Gun

63 5/16"
[1608mm]

17 13/16"
[452mm]

2 3/8"
[61mm]



Product Specifications:

Open Stainless Steel Hose Reel w/ 50' of 3/8" Hose, Blue Front Trigger Water Gun w/ Swivel, Vacuum Breaker, 3/8" NPT Flexible Water Connector, 8" Wall Mount Mixing Faucet & Control Valve

Product Compliance:

NSF 61 Exempt (Non-Potable)
2019 DOE PRSV Non-Compliant
ASSE 1056 (VB)

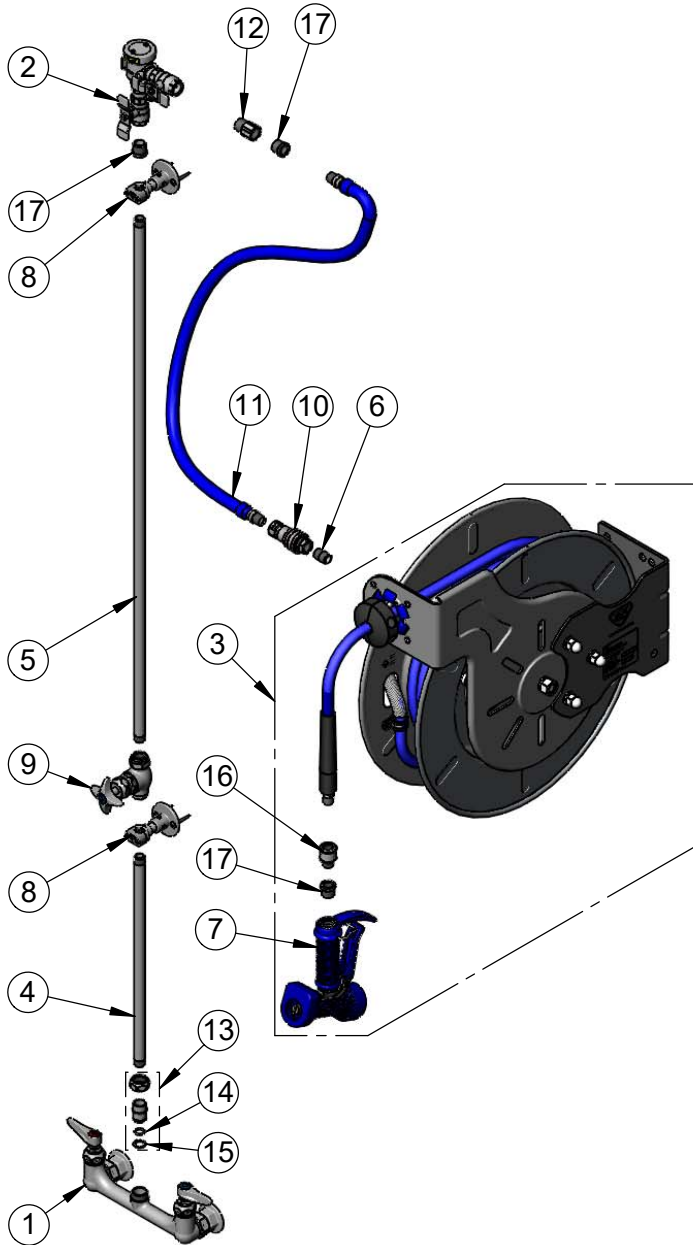


T&S BRASS AND BRONZE WORKS, INC.
 2 Saddleback Cove / P.O. Box 1088
 Travelers Rest, SC 29690

Model No.
B-1439

Item No.

Travelers Rest, SC: 800-476-4103 • Simi Valley, CA: 800-423-0150 • Fax: 864-834-3518 • www.tsbrass.com



ITEM NO.	SALES NO.	DESCRIPTION
1	B-0230-LN	8" Wall Mount Mixing Faucet
2	B-0963	1/2" NPT Continuous Pressure VB w/ Integral Check Valve
3	B-7142-05	Open Stainless Steel Reel w/ 50' of 3/8" Hose
4	000368-40	3/8" NPT x 16" Riser
5	002558-40	3/8" NPT x 40" Riser
6	002535-25	3/8" Close Nipple
7	MV-2522-24	Stainless Steel Water Gun, Front Trigger
8	B-0109-07	Wall Bracket
9	0RK3	0RK3 Control Valve
10	AW-5B	3/8" NPT Quick Disconnect
11	HW-2B-36	3/8" NPT x 36" Flexible Water Hose
12	015073-40	Check Valve w/ 1/2" NPT Adapter
13	EZ-K	EasyInstall Kit
14	001065-45	O-Ring
15	014200-45	Lock Washer
16	019652-40	3/8" NPT Live Swivel
17	001359-40	Hex Bushing, 1/2" NPT Male x 3/8" NPT Female

Product Specifications:

Open Stainless Steel Hose Reel w/ 50' of 3/8" Hose, Blue Front Trigger Water Gun w/ Swivel, Vacuum Breaker, 3/8" NPT Flexible Water Connector, 8" Wall Mount Mixing Faucet & Control Valve

Product Compliance:

NSF 61 Exempt (Non-Potable)
 2019 DOE PRSV Non-Compliant
 ASSE 1056 (VB)