



T&S BRASS AND BRONZE WORKS, INC.

2 SADDLEBACK COVE / P.O. BOX 1088 / TRAVELERS REST, SC 29690

PHONE 800-476-4103

FAX 864-834-3518



REG.#A2601
ISO #9002

Model No.

B-0837

Item No.:

Job Name:

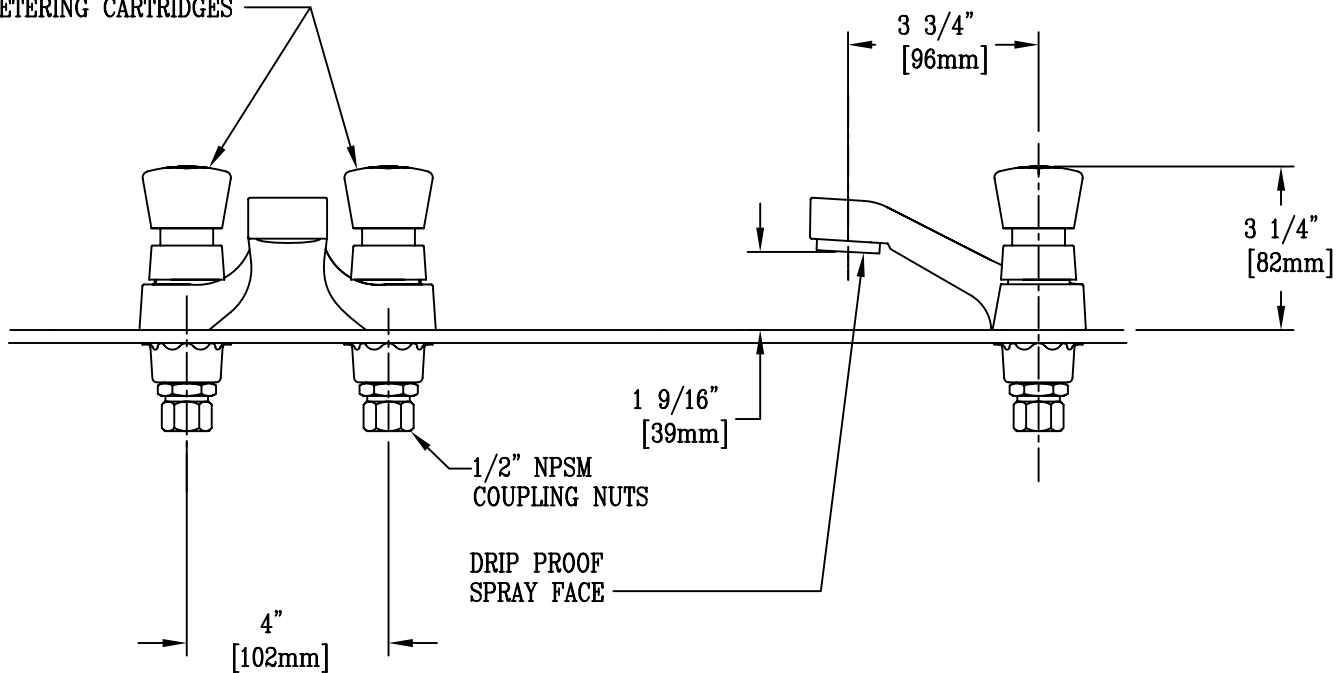
Architect/Engineer Approval:

Notes:



ADA COMPLIANT

ADJUSTABLE FLOW,
VANDAL RESISTANT
PUSH BUTTON
METERING CARTRIDGES



FURNISHED w/
SPANNER BIT



Product Description:
4" CENTERSET METERING & MIXING FAUCET w/
DRIP PROOF SPRAY FACE, 1/2" NPSM CPLG. NUTS,
AND PUSH BUTTON METERING CARTRIDGES

Drawn:

GEF

Checked

DHL

Scale:

1 : 4

Approved

JHB

Date:

7/6/07