



T&S BRASS AND BRONZE WORKS, INC.

2 Saddleback Cove / P.O. Box 1088
Travelers Rest, SC 29690



REG. #A2601
ISO #9001

Model No.

B-0230-TZ-CR-SC

Item No.

Travelers Rest, SC: 800-476-4103 • Simi Valley, CA: 800-423-0150 • Fax: 864-834-3518 • www.tsbrass.com

This Space for Architect/Engineer Approval

Job Name _____ Date _____

Model Specified _____ Quantity _____

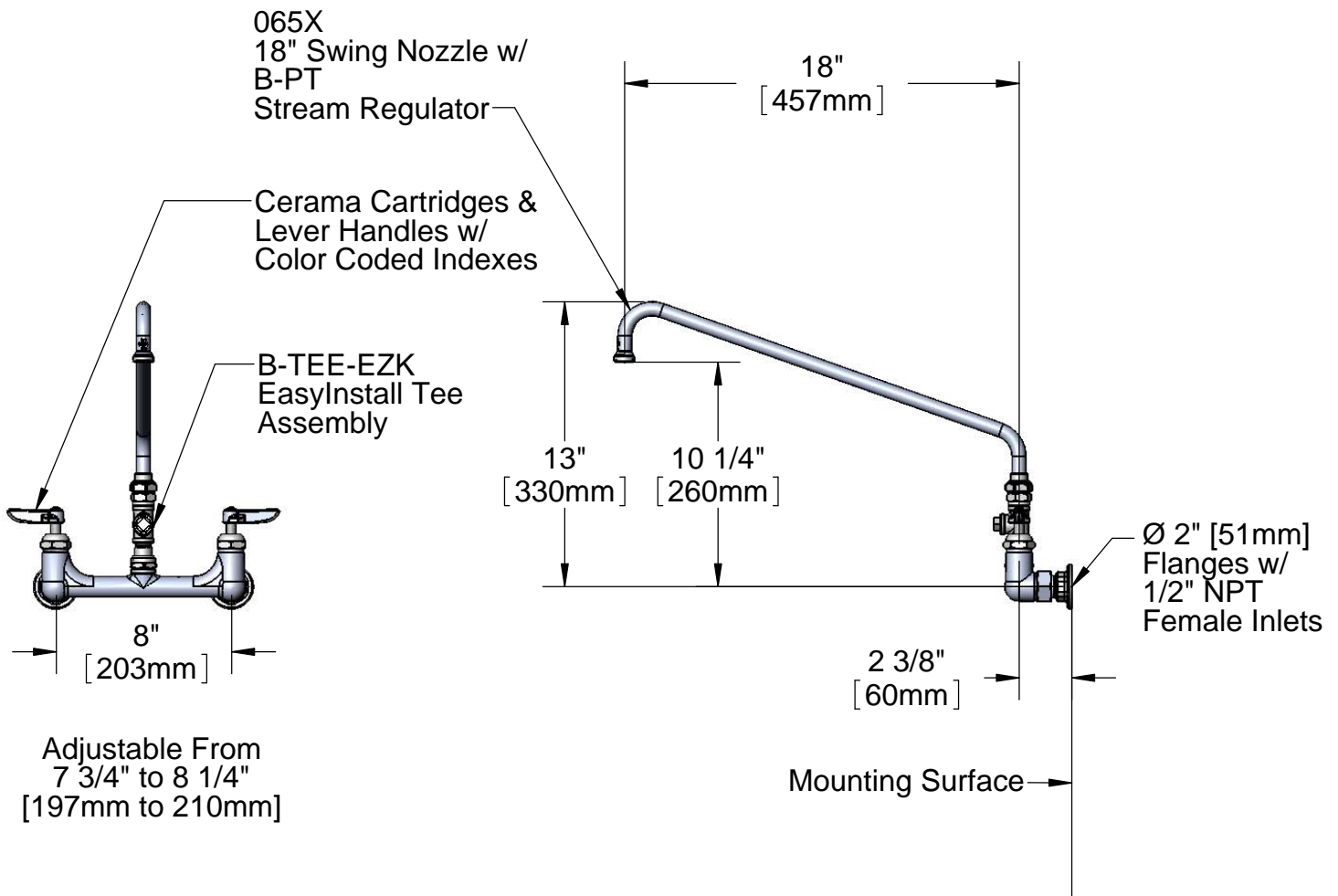
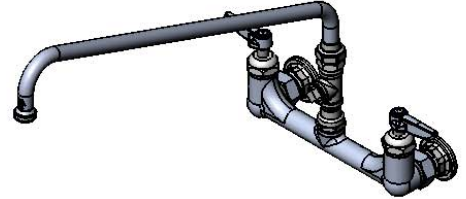
Customer/Wholesaler _____

Contractor _____

Architect/Engineer _____



ADA Compliant



Product Specifications:

8" Wall Mount Mixing Faucet, Cerama Cartridges w/ Check Valves, 18" Swing Nozzle w/ Stream Regulator, Lever Handles, 1/2" NPT Female Inlet Flanges & EasyInstall Tee Assembly

Drawn

DHL

Checked

GEF

Approved

JHB

Scale:

1:8

Date:

06/03/11



T&S BRASS AND BRONZE WORKS, INC.

2 Saddleback Cove / P.O. Box 1088
Travelers Rest, SC 29690



REG. #A2601
ISO #9001

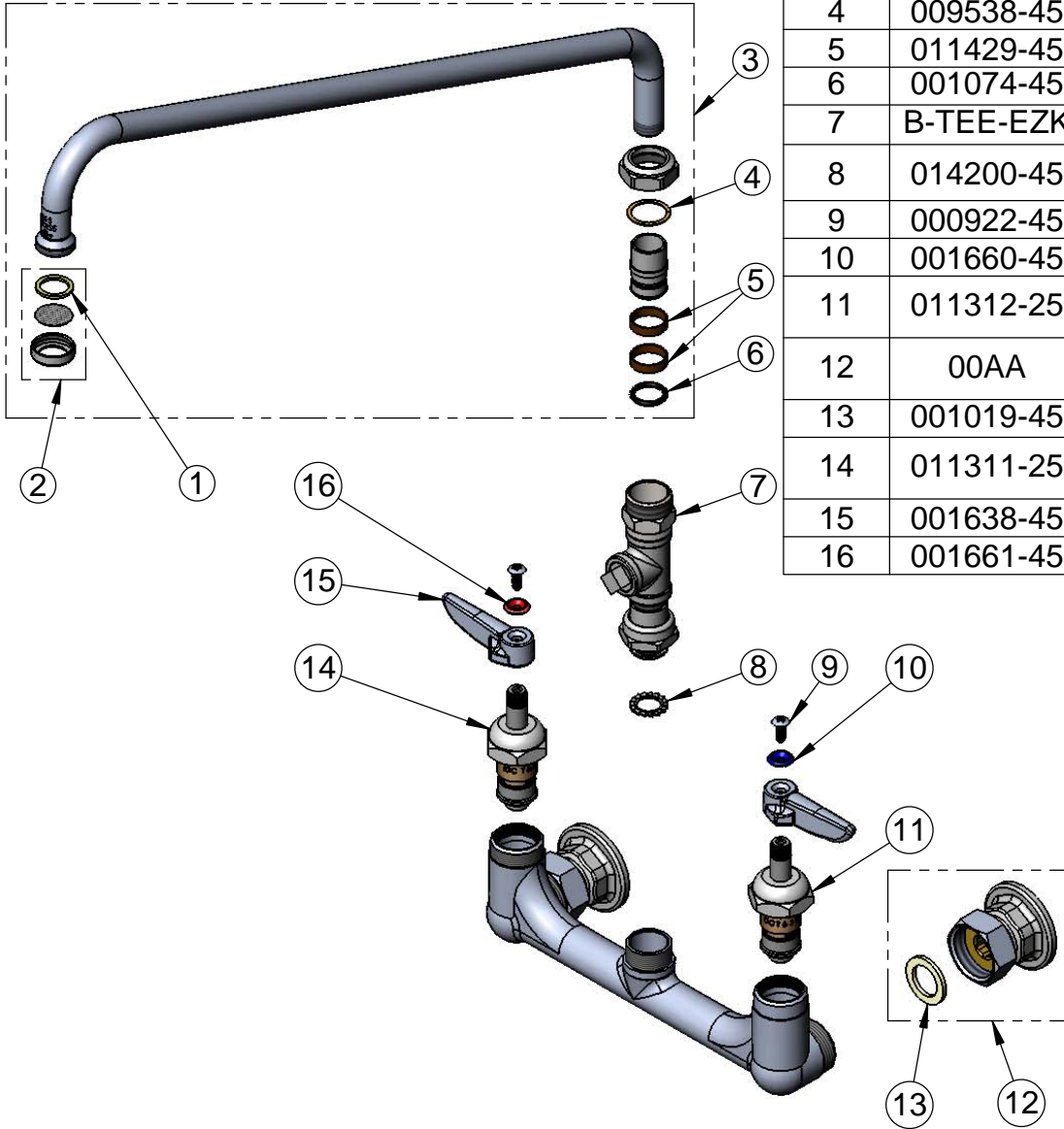
Model No.

B-0230-TZ-CR-SC

Item No.

Travelers Rest, SC: 800-476-4103 • Simi Valley, CA: 800-423-0150 • Fax: 864-834-3518 • www.tsbrass.com

ITEM NO.	SALES NO.	DESCRIPTION
1	001048-45	Nozzle Tip Washer
2	B-PT	Stream Regulator
3	065X	18" Swing Nozzle w/ Stream Regulator
4	009538-45	Swivel Washer
5	011429-45	Swivel Sleeves (2)
6	001074-45	O-Ring
7	B-TEE-EZK	EasyInstall Tee Assembly
8	014200-45	Star Washer, Anti- Rotation
9	000922-45	Lever Handle Screw
10	001660-45	Blue Index-CW
11	011312-25	Cerama Cartridge, LTC w/ Check Valve
12	00AA	Wall Flange, 1/2" NPT Female Inlet
13	001019-45	Coupling Nut Washer
14	011311-25	Cerama Cartridge, RTC w/ Check Valve
15	001638-45	Lever Handle
16	001661-45	Red Index-HW



Product Specifications:

8" Wall Mount Mixing Faucet, Cerama Cartridges w/ Check Valves, 18" Swing Nozzle w/ Stream Regulator, Lever Handles, 1/2" NPT Female Inlet Flanges & EasyInstall Tee Assembly

Drawn

DHL

Checked

GEF

Approved

JHB

Scale:

NTS

Date:

06/03/11