



# S-Series 1800 Ice Cube Machine

## Models

- |                                   |                                   |                                   |
|-----------------------------------|-----------------------------------|-----------------------------------|
| <input type="checkbox"/> SD-1802A | <input type="checkbox"/> SD-1803W | <input type="checkbox"/> SD-1892N |
| <input type="checkbox"/> SY-1804A | <input type="checkbox"/> SY-1805W | <input type="checkbox"/> SY-1894N |



SD-1802A Ice Machine  
on B-970 Bin

## Standard Features

- Up to 1,890 lbs. (857 kgs.) daily ice production.
- Removeable water distribution tube requires no tools to remove.
- Food zone designed with soft rounded corners.
- Patented cleaning and sanitizing technology.
- Select components compounded with AlphaSan® antimicrobial.
- Patented ice harvest technology reduces energy requirements.
- Hinged front door for easy access.
- R-404A CFC-free refrigerant.

**COMMERCIAL WARRANTY**

ICE MAKER	EVAPORATOR	COMPRESSOR
3	5	5
YEAR	YEAR	YEAR PARTS
PARTS AND LABOR		3 YEAR LABOR

## Specifications

### BTU Per Hour:

30,000 (average)  
35,000 (peak)

### Compressor:

Nominal rating: 3 HP

### Cupra-Nickel Condenser:

(Water-cooled models)  
Adds protection from  
corrosive water elements.

### Operating Limits:

- Ambient Temperature Range:  
Air and water-cooled:  
35° to 110°F (1.67° to 43.3°C)  
Remote:  
-20° to 120°F (-29° to 49°C)
- Water Temperature Range:  
35° to 90°F (1.67° to 32.2°C)
- Water Pressure Ice Maker  
Water In:  
Min. 20 psi (137.9 kPa)  
Max. 80 psi (551.1 kPa)
- Condenser Inlet Water In:  
(Water-cooled only)  
Min. 20 psi (137.9 kPa)  
Max. 150 psi (1,034.2 kPa)

## Ice Shape



**Half Dice**  
3/8" x 1 1/8" x 7/8"  
(.95 x 2.86 x 2.22 cm)



**Dice**  
7/8" x 7/8" x 7/8"  
(2.22 x 2.22 x 2.22 cm)

## Ice Machine Electric

208-230/60/1 standard. (208-230/60/3 and 230/50/1 also available.)

### Minimum circuit ampacity:

Air-cooled: 23.8 1ph 15.4 3ph  
Water-cooled: 22.4 1ph 14.0 3ph  
Remote-cooled: 23.4 1ph 15.0 3ph

### Maximum fuse size:

Air-cooled, Water-cooled, Remote:  
40 amps 1ph 60Hz  
25 amps 3ph 60Hz  
40 amps 1ph 50Hz

HACR-type circuit breakers can be used in place of fuses.

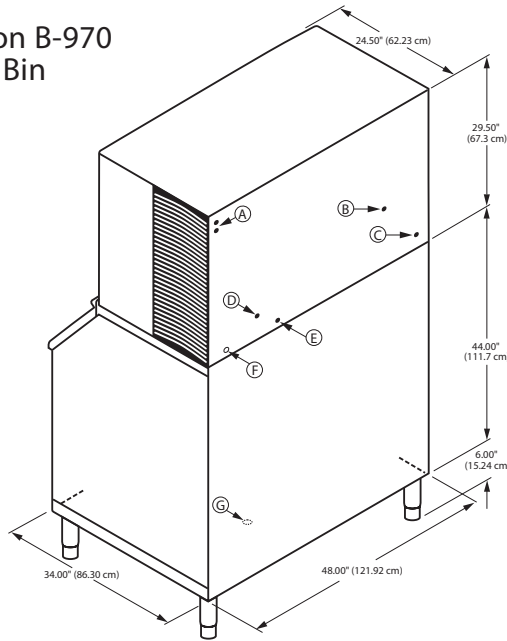


QUALITY MANAGEMENT SYSTEM  
CERTIFIED BY DNV  
ISO 9001:2008



# S-Series 1800 Ice Cube Machine

## S-1800 on B-970 Storage Bin



- (A) Electrical Entrance (2) Options
- (B) 1/2" (1.27 cm) F.P.T. Water Condenser Outlet (water-cooled units)
- (C) 3/8" (0.95 cm) F.P.T. Water Condenser Inlet (water-cooled units)
- (D) 3/8" (0.95 cm) F.P.T. Ice Making Water Inlet
- (E) 1/2" (1.27 cm) F.P.T. Ice Making Water Drain
- (F) 1/2" (1.27 cm) Auxillary Base Drain Socket
- (G) 3/4" (1.91 cm) Bin Drain

### Installation Note

Minimum installation clearance— Water and remote units— Top/sides: 8" (20.32 cm), Back: 5" (12.7 cm).  
Air-cooled units— Top/sides: 24" (60.96 cm), Back: 12" (30.48 cm).

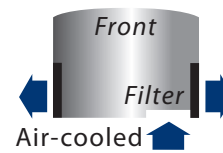
## Space-Saving Designs



	<b>S-1800 B-970</b>
Height	79.50" 201.90 cm
Width	48.00" 121.92 cm
Depth	34.00" 86.30 cm
Bin Storage	710 lbs. 322.2 kgs.

Height includes adjustable bin legs 6.00" to 7.00"  
(15.24 to 17.78 cm) set at 6.00" (15.24 cm).

### Air Flow Top View



### AuCS® SI Accessory

Automatic Cleaning System purchased factory installed in the machine or as an option for field retrofit.

	Model	Ice Shape	Ice Production 24 Hours		Power kWh/100 lbs @ 90°Air/70°F		Water Usage/ 100 lbs. 45.4 kgs. of Ice
			70°Air/50°F Water	90°Air/70°F Water	1 ph	3 ph	Potable Water
Air-Cooled	SD-1802A	dice	1830 lbs.	1387 lbs.	5.20	5.09	20.0 gal.
			830 kgs.	629 kgs.			75.7 L.
Air-Cooled	SY-1804A	half-dice	1890 lbs.	1444 lbs.	5.04	5.09	20.0 gal.
			857 kgs.	655 kgs.			75.7 L.
Water-Cooled	SD-1803W	dice	1880 lbs.	1587 lbs.	3.83	3.83	20.0 gal.
			853 kgs.	720 kgs.			75.7 L.
Water-Cooled	SY-1805W	half-dice	1890 lbs.	1663 lbs.	3.83	3.78	20.0 gal.
			857 kgs.	754 kgs.			75.7 L.
Water-cooled Condenser Water Usage /100 lbs./45.4 kgs. of Ice: 164 gal./ 620.8 L							
Remote-Cooled	SD-1892N	dice	1750 lbs.	1435 lbs.	4.82	4.74	20.0 gal.
			794 kgs.	651 kgs.			75.7 L.
Remote-Cooled	SY-1894N	half-dice	1770 lbs.	1463 lbs.	4.82	4.78	20.0 gal.
			803 kgs.	664 kgs.			75.7 L.

Order ice storage bin separately. "A" or "W" following model number indicates "Air" or "Water" condensing unit. Ice storage bin and JC-1395A remote condenser must be ordered separately. Consult remote condenser specification sheet for details.

To order 3 phase add "3" suffix to model # (SD-1802A3).