



S-Series 850 Ice Cube Machine

Model

- | | | |
|-----------------------------------|-----------------------------------|-----------------------------------|
| <input type="checkbox"/> SD-0852A | <input type="checkbox"/> SY-0854A | <input type="checkbox"/> SY-0894N |
| <input type="checkbox"/> SD-0853W | <input type="checkbox"/> SY-0855W | <input type="checkbox"/> SD-0892N |



SY-0854A
Ice Machine on B-570 Bin

Standard Features

- Up to 940 lbs. (426 kgs.) daily ice production
- CEE Tier 3 energy and water efficiency rating
- Only 30" (76.20 cm) wide
- Removable water distribution tube with no tools
- Food zone designed with soft, round, cove corners
- Patented cleaning and sanitizing technology
- Select components made with AlphaSan® antimicrobial.
- Hinged front door for easy access.

Warranty

- 5-year parts and 5-year labor coverage on ice machine evaporator.
- 5-year parts and 3-year labor coverage on ice machine compressor
- 3-year parts-and-labor coverage on all other ice machine, dispenser, and storage bin components.

Specifications

BTU Per Hour:

13,000 (average) 16,000 (peak)

Compressor:

Nominal rating: 1-1/2 HP

Cupra-Nickel Condenser:

(Water-cooled models)

Adds protection from corrosive water elements

Operating Limits:

- Ambient Temperature Range: Air and water-cooled: 35° to 110°F (1.6° to 43.3°C)
Remote: -20° to 120°F (-29° to 49°C)
- Water Temperature Range: 35° to 90°F (1.6° to 32.2°C)
- Water Pressure Ice Maker
Water In:
Min. 20 psi (137.9 kPA)
Max. 80 psi (551.1 kPA)
- Condenser Inlet Water In: (Water cooled only)
Min. 20 psi (137.9 kPA)
Max. 150 psi (1,034.2 kPA)

Ice Machine Electric

208-230/60/1 standard. (208-230/60/3 and 230/50/1 also available.)

Minimum circuit ampacity:

| | | |
|---------------|----------|---------|
| Air-cooled: | 11.9 1ph | 9.2 3ph |
| Water-cooled: | 10.9 1ph | 8.2 3ph |
| Remote: | 11.9 1ph | 9.2 3ph |

Maximum fuse size:

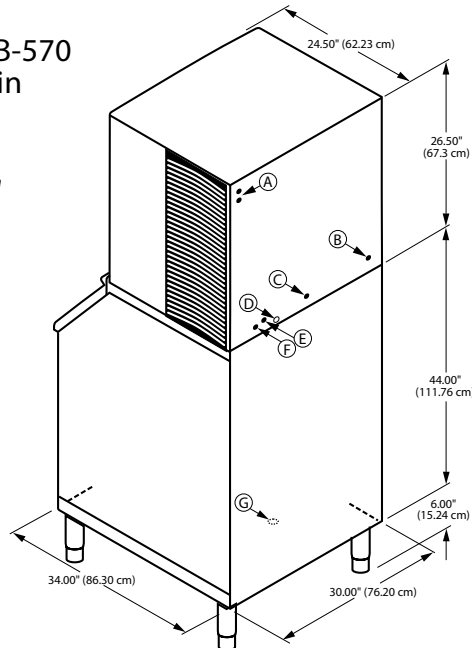
Air-cooled, Water-cooled and Remote:
20 amps 1ph
15 amps 3ph
HACR-type circuit breakers can be used in place of fuses.





S-850 on B-570 Storage Bin

Installation Note
Minimum installation clearance—Top/sides: 8" (20.32 cm); Back: 5" (12.7 cm).



- (A) Electrical Entrance (2) Options
- (B) 3/8" (0.95 cm) F.P.T. Water Condenser Inlet (water-cooled units)
- (C) 1/2" (1.27 cm) F.P.T. Water Condenser Outlet (water-cooled units)
- (D) 1/2" (1.27 cm) Auxiliary Base Drain Socket
- (E) 3/8" (0.95 cm) F.P.T. Ice Making Water Inlet
- (F) 1/2" (1.27 cm) F.P.T. Ice Making Water Drain
- (G) 3/4" (1.91 cm) Bin Drain

Space-Saving Designs



| | S-850 B-570 | S-850 B-970* |
|-------------|----------------------|------------------------|
| Height | 76.50" 194.30 cm | 76.50" 194.30 cm |
| Width | 30.00" 76.20 cm | 48.00" 121.92 cm |
| Depth | 34.00" 86.30 cm | 34.00" 86.30 cm |
| Bin Storage | 430 lbs. 195 kgs. | 710 lbs. 322.2 kgs. |

Height includes adjustable bin legs 6.00" to 8.00", (15.24 to 20.32 cm) set at 6.00" (15.24 cm).

For comparison purposes multiply ARI capacity by 1.3 (30%) to arrive at approximate "Application Rating Capacity."

| Model | Ice Shape | Ice Production 24 Hours | | | | Power kWh/100 lbs. @ 90°/70°F | | | | Energy Star® |
|--|-----------|-------------------------|-----|-------------------|-----|-------------------------------|-------------|------|-------------|--------------|
| | | 70°Air/50°F Water | | 90°Air/70°F Water | | 1 ph | CEE† Rating | 3 ph | CEE† Rating | |
| SD-0852A | dice | 785 | 356 | 615 | 279 | 6 | Tier 1 | 5.8 | Tier 1 | |
| SD-0853W | dice | 835 | 379 | 740 | 336 | 4.5 | Tier 1 | 4.5 | Tier 1 | |
| SY-0854A | half-dice | 940 | 426 | 725 | 329 | 5.3 | Tier 2 | 5.2 | Tier 3 | ★ |
| SY-0855W | half-dice | 875 | 397 | 810 | 367 | 4.2 | Tier 2 | 4.2 | Tier 2 | |
| Remote Air-Cooled with JC-0895A condenser | | | | | | | | | | |
| SD-0892N | dice | 750 | 340 | 645 | 293 | 5.9 | Tier 1 | 5.7 | Tier 2 | |
| SY-0894N | half-dice | 860 | 390 | 750 | 340 | 5.3 | Tier 2 | 5.2 | Tier 2 | ★ |
| Water usage/100 lbs./45.4 kgs. of Ice | | | | | | | | | | |
| Potable Water: 18 gallons, 68 liters • Water-cooled Condenser: 145 gallons, 549 liters | | | | | | | | | | |

Order ice storage bin separately. "A" or "W" following model number indicates "Air" or "Water" condensing unit. Ice storage bin and JC-0895A remote condenser must be ordered separately. Consult remote condenser specification sheet for details. To order 3 phase add "3" suffix to model # (SD-0852A3).

†Consortium for Energy Efficiency (CEE) is a North American nonprofit organization that promotes energy-efficient products, technologies and services; also the principal entity for the development of ice maker efficiency standards.

Ice Shape

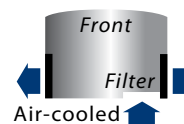


Half Dice
3/8" x 1/8" x 7/8"
(.95 x 2.86 x 2.22 cm)



Dice
7/8" x 7/8" x 7/8"
(2.22 x 2.22 x 2.22 cm)

Air Flow Top View



AuCS®SO Accessory

Automatic Cleaning System purchased as an option and installed in the field.