



Q-130/170 Ice Cube Machines

Models

- | | | |
|-----------------------------------|-----------------------------------|-----------------------------------|
| <input type="checkbox"/> QD-0132A | <input type="checkbox"/> QY-0134A | <input type="checkbox"/> QD-0172A |
| <input type="checkbox"/> QD-0133W | <input type="checkbox"/> QY-0135W | <input type="checkbox"/> QY-0174A |



Q-130



Q-170

Refreshing! The New Maniowoc Undercounters

- Ranging from 135 lbs. (61 kgs) to 175 lbs. (79 kgs) daily ice production
- ENERGY STAR® energy and water use rating
- Only 26" (66.04 cm) wide, 26.50" (67.31 cm) deep, and 38.50" (82.55 cm) high on 6" (15.24 cm) legs
- 80 lb. (36.6 kg) ice storage capacity

Standard Features

- **Wide Assortment** - undercounter sizes to meet every ice need
- **Updated Aesthetics** - Clean, crisp coordinated bin interior
- **Convenient Access to Ice** - Ergonomic angled bin door providing visibility and easy access to ice without bending over
- **Enhanced Function** - EZ slide door elevates the user experience and improves product reliability
- **Improved Sanitation** - AlphaSan® added to key internal components to extend time between cleanings
- **Simplified Installation** - New flat right angle plug for easier installation in tight spaces
- Maniowoc proven vertical evaporator using proprietary technology – made in Maniowoc, WI.
- Bin door slides up and out of the way for maximum access
- Stainless steel exterior
- Patented cleaning and sanitizing technology
- R-404A CFC-free refrigerant

Warranty

- 5-year parts and 5-year labor coverage on ice machine evaporator
- 5-year parts and 3-year labor coverage on ice machine compressor
- 3-year parts-and-labor coverage on all other ice machine, dispenser, and storage bin components

Specifications

BTU Per Hour:

Q-130: 2,400 (average)
2,900 (peak)

Q-170: 2,200 (average)
2,600 (peak)

Compressor:

Nominal rating: .42 HP

Cupra-Nickel Condenser:

(Water-cooled models)
Adds protection from corrosive water elements.

Operating Limits:

• Ambient Temperature Range:
40° to 110°F (4.4° to 43.3°C)

• Water Temperature Range:
45° to 90°F (4.4° to 32.2°C)

• Water Pressure Ice Maker
Water In:
Min. 20 psi (137.9 kPa)
Max. 80 psi (551.1 kPa)

• Condenser Inlet Water In:
(Water-cooled only)
Min. 20 psi (137.9 kPa)
Max. 150 psi (1,034.2 kPa)

Ice Shape



Half Dice
3/8" x 1 1/8" x 7/8"
(.95 x 2.86 x 2.22 cm)



Dice
7/8" x 7/8" x 7/8"
(2.22 x 2.22 x 2.22 cm)

Ice Machine Electric

115/60/1. (208-230/60/1 and 230/50/1 available.) 115/60/1 ice machines are factory pre-wired with a 6' (180 cm) power cord and NEMA 5-15P-plug configuration. 208-230/60/1 ice machines are factory pre-wired with a 6' (180 cm) power cord only, no plug is supplied.

Total Amps:

Q-130: 115/60/1: Air-cooled: 7.0 amps / Water-cooled: 6.3 amps

208-230/60/1: Air-cooled: 3.1 amps / Water-cooled: 2.6 amps

Q-170: 115/60/1: Air-cooled: 7.2 amps

Maximum fuse size:

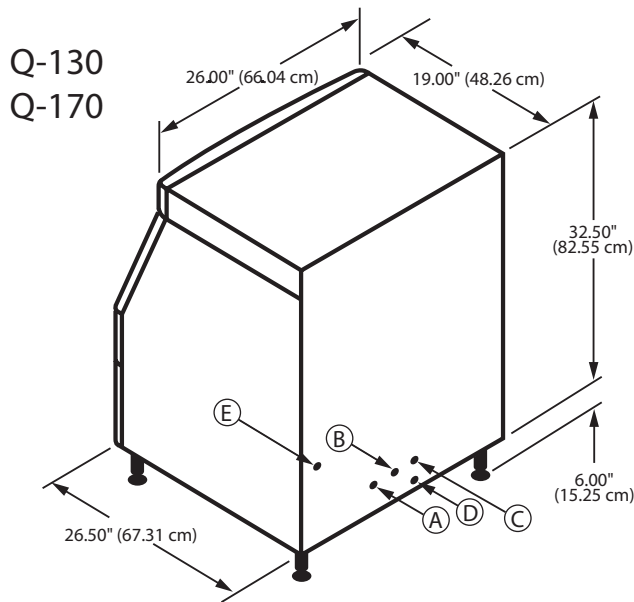
Air and Water-cooled: 15 amps

HACR-type circuit breakers can be used in place of fuses.





Q-130/170 Ice Cube Machines



Installation Note Recommended clearance for top, sides, and back is 5" (12.7 cm) however, there is no minimum clearance required.

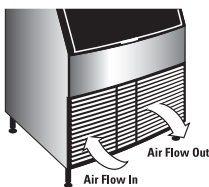
- (A) Electrical Entrance (2) Options
- (B) 3/8" (0.95 cm) F.P.T. Ice Making Water Inlet
- (C) 1/2" (1.27 cm) F.P.T. Minimum Water Condenser Outlet (water-cooled units)
- (D) 3/8" (0.95 cm) F.P.T. Water Condenser Inlet (water-cooled units)
- (E) 1/2" (1.27 cm) F.P.T. Ice Bin Drain

Specifications

Model	Ice Shape	Ice Production 24 Hours				Power kWh/100 lbs. @ 90°/70°F 32°/21°C	Potable water usage gal/100 lbs. ice @90/70°F	ENERGY STAR®
		70°Air/50°F Water 21°Air/10°C Water		90°Air/70°F Water 32°Air/21°C Water				
		lbs.	kgs	lbs.	kgs			
QD-0132A	dice	135	61	90	41	12.5	39	
QD-0133W	dice	130	59	105	48	9	38	
QY-0134A	half-dice	135	61	95	43	11.8	39	
QY-0135W	half-dice	135	61	110	50	8.8	35	
QD-0172A	dice	175	79	130	59	8.8	31	★
QY-0174A	half-dice	180	82	135	61	8.5	31	★

Water-cooled Condenser: Q-130: 185 gal. / 708 liters

Air Flow Top View



Air in left, air out right, no side vents. Great for installation under countertops and next to other equipment.

Front Access



Initiate ice, off and clean operations with simple upfront selector switch. No need to remove front panel.

Air Filter



Slides out from left side front without tools, easy to clean, reusable filter

protects condenser from lint, grease and dust.