



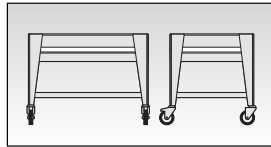
Stainless Steel Stands for Table Top Models

Open Base Stand with Adjustable Legs -

Model #	Description
CST100B	for models 6.10 & 10.10
CST200B	for models 6.20 & 10.20

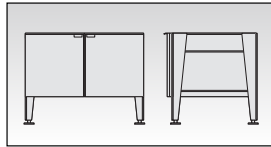
Open Base Stand with Casters -

Model #	Description
CST100BCA	for models 6.10 & 10.10
CST200BCA	for models 6.20 & 10.20



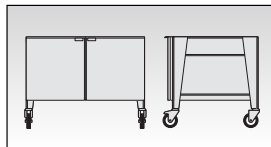
Closed Base Stand with Hinged Doors & Adjustable Legs

Model #	Description
CST10CB	for models 6.10 & 10.10
CST20CB	for models 6.20 & 10.20



Closed Base Stand with Hinged Doors & Casters

Model #	Description
CST10CBCA	for models 6.10 & 10.10
CST20CBCA	for models 6.20 & 10.20

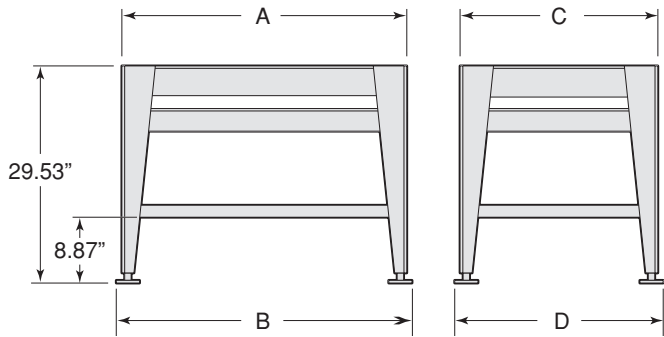


Rack Kit for Stands

Model #	Description
CST10RK	for models 6.10 & 10.10
CST20RK	for models 6.20 & 10.20

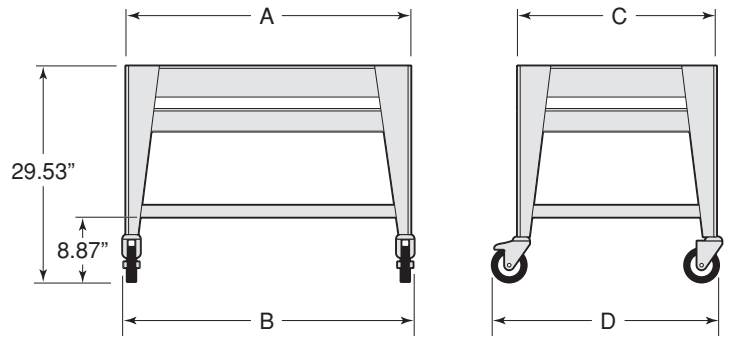


OGB 10.10 on a CST10CBCA (closed base stand with casters)



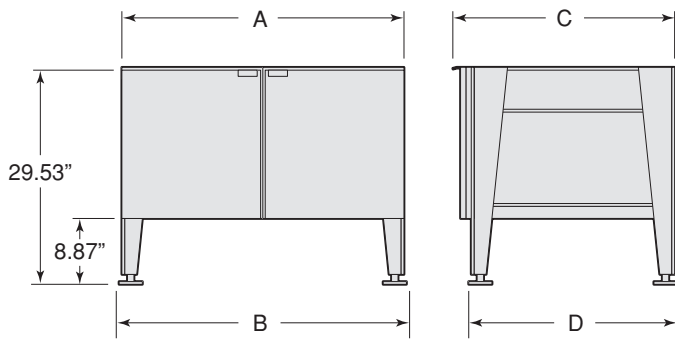
Open Base Stand with Adjustable Legs

	A	B	C	D
CST10OB	32.44"	34.08"	24.47"	26.12"
CST20OB	43.66"	45.30"	32.02"	33.66"



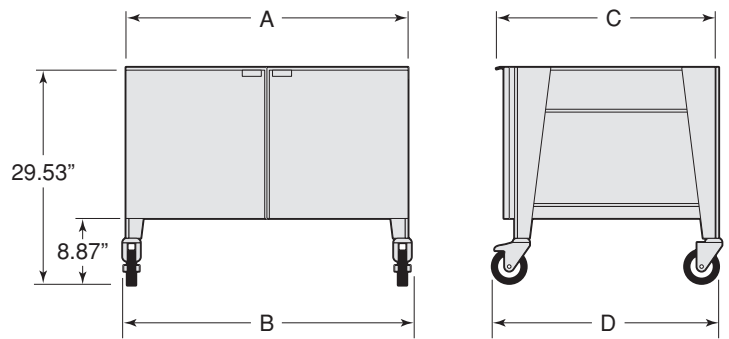
Open Base Stand with Casters

	A	B	C	D
CST10OBBCA	32.48"	35.10"	24.47"	28.40"
CST20OBBCA	43.66"	46.32"	32.02"	35.94"



Closed Base Stand with Hinged Doors and Casters

	A	B	C	D
CST10CB	32.48"	34.08"	27.13"	26.12"
CST20CB	43.66"	45.30"	34.67"	33.66"



Closed Base Stand with Hinged Doors and Casters

	A	B	C	D
CST10CBCA	32.44"	35.10"	27.13"	28.39"
CST20CBCA	43.66"	46.32"	34.67"	35.93"

NOTES:

Cleveland Range reserves right of design improvement or modification, as warranted.
 Many regional, state and local codes exist and it is the responsibility of the owner and installer to comply with the codes.
 Cleveland Range equipment is built to comply with applicable standards for manufacturers.