

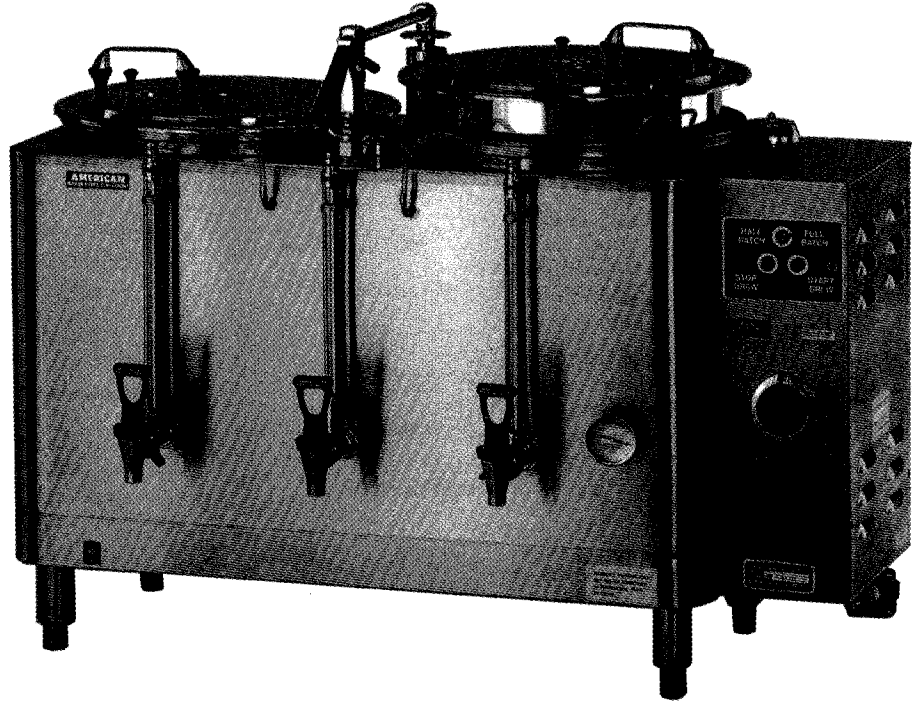


SINCE 1883

Mid Line Urn

Pump Type Brewing System

Twin Models: 7773, 7776, 77710
Single Models: 7713, 7716, 77110
Electric, Steam, Gas



AMERICAN STANDARD FEATURES

PUMP TYPE BREWING SYSTEM

Water is heated in large water storage compartment. When brew button is activated, hot water is pumped over the coffee grounds through American's specially designed solid cone spray nozzle thus providing the most uniform extraction possible from the coffee bed.

ONE YEAR SERVICE WARRANTY, PARTS AND LABOR

ALL A.I.S.I. TYPE 304 18-8 STAINLESS STEEL CONSTRUCTION

ONE BUTTON FOOLPROOF OPERATION

Toggle switch selection for half and full batch. Brew time can be changed by adjusting the setting concealed on the front panel. Adjust with screwdriver through front panel. Stop sprayover with one touch.

AUTOMATIC COFFEE AGITATION

Thoroughly mixes coffee after sprayover stops.

AUTOMATIC REFILL OF WATER COMPARTMENT

Assures unlimited supply of hot water, always available.

CLOSED CHAMBER BREWING

Prevents escape of coffee vapors. Brews with NSF approved cover on brew basket. Prevents costly steam/moisture loss to atmosphere. Saves energy with savings on air conditioning load.

SPECIAL PINPOINT CONTROL THERMOSTAT

Four position temperature selection on thermostat controls. The four temperature controls are Brew (200°F), Hold (180°F), Night Stand-by (160°F) and Off.

VELVET SMOOTH SPRAY ARM

Special teflon® coating on spray arm piston prevents liming and insures smooth operation. Positive "stops" on spray arm for operator safety.

ADJUSTABLE BYPASS ON SPRAY ARM

Enables proper brew extraction even with variations caused by treated water or different coffee blends.

LOW WATER CUTOFF SYSTEM

Solid state probe sensor system provides positive protection against heater burnout, at start-up or in operation.

ONE STAINLESS STEEL BREW BASKET

With 25 filter papers.

CONTROL BOX ON RIGHT HAND END

If requested, the control box can be located on left hand end of urn.

GREATEST SAFETY FOR OPERATOR (OSHA)

All controls operate on 120 volt.

DRAIN IN BOTTOM WITH HOSE CONNECTION

Allows faster access for service

FLEXIBLE LEADS TO PUMP

When necessary, pumps can be changed in a matter of minutes with our exclusive flexible hose system.

FAST INITIAL FILL RATE VALVE

Saves time filling urn during installation.



Mid Line Urn

SINCE 1883

Pump Type Brewing System

MILITARY SPECIFICATIONS—MARINE MODIFICATIONS

Twin and single automatic urns MIL-U-43263E or latest specification. Available modified for marine (shipboard) use; no spillage of liquid with 15° list in any plane, and other requirements. Contact factory for detailed quotation and data.

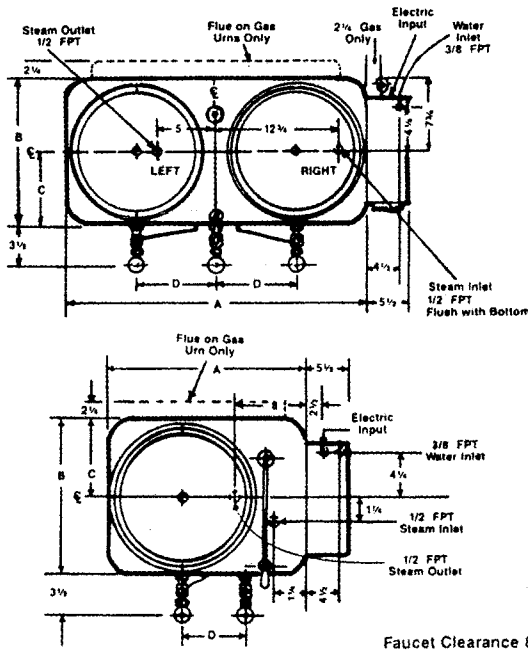
MULTIPLE FAUCET OPTIONS

Opt. DS-1	2C, 1W	Back/Rear, No Gauge
Opt. DS-2	2C, 1W	Back/Rear, with Gauges
Opt. DS-3L	2C, 1W	Back/Rear, No Gauges, with selecta-flow
Opt. DS-11	2C, 1W	One End, No Gauge
Opt. DS-12	2C, 1W	One End, No Gauge with selecta-flow

FAST FILL OPTIONS

Opt. 56	Jug fill funnel and chain (18" long)
Opt. 57	Gravity Jug Fill Hose Assembly (6 feet long)
Opt. 70T1	High Speed Jug Fill - Coffee Only
Opt. 70T2	High Speed Jug Fill - Coffee and Water

ROUGHING-IN DATA Consult Factory for Current Roughing-In Drawing



Model Number	A	B	C	D	† Work Height	† Overall Height
7773	30 1/2"	15 1/4"	7 3/8"	7 3/4"	21 5/8"	27 1/8"
7776	34"	16 3/4"	8 3/8"	8 5/8"	27 5/8"	33 1/8"
77710	34"	16 3/4"	8 3/8"	8 5/8"	27 5/8"	34 5/8"
7713	18"	15 1/4"	7 3/8"	5 1/2"	21 3/8"	27 1/8"
7716	21"	16 3/4"	8 3/8"	7 3/8"	27 5/8"	33 3/8"
77110	21"	16 3/4"	8 3/8"	7 3/8"	27 5/8"	34 5/8"

*Add 2 1/4" for flue on gas — allow 6" wall clearance. † Add 2 1/2" on gas

Brew Basket Selection Chart						
	3	6	10	1/2 Batch	1/2 Batch	1/2 Batch
Brews	Gallon	Gallon	Gallon	3 Gallon	6 Gallon	10 Gallon
Part No.	BB3	BB6	BB810	BB3-1.5	BB6-3	BB810-6

Note: All SS Permanent Filter Brew Basket with SS woven wire cloth bottom is available. Filter paper is available from our stock. See price list.

Twin Models: 7773, 7776, 77710
Single Models: 7713, 7716, 77110
Electric, Steam, Gas

PRODUCTION ENGINEERING DATA

Model Number	TWIN			SINGLE		
	7773	7776	77710	7713	7716	77110
Coffee Capacity Each Liner	3 Gal.	6 Gal.	10 Gal.	3 Gal.	6 Gal.	10 Gal.
*Gallons Per Hour (Up To)	25	32	42	14	32	42
	18	24	28	9	16	19
Number of 5 oz. Cups Per Hour	625	800	1050	450	800	1050
	450	600	700	225	400	475
Maximum Steam Demand Lbs. Per Hour	50	70	70	30	70	70
Gas Consumption BTU Per Hour	35,000	35,000	35,000	18,000	24,000	24,000

*Based on spraying over amount of water equal to capacity of liner.

ELECTRIC HEAT

Specify electric service desired. Standard is dual voltage 120/240 Volt or 120/208 Volt single phase 3 wire (neutral wire required). Watts and amps as shown. Note: A ground wire must be provided in addition to wire service shown. All service includes terminal block hook-up.

MODEL	120/240 Volt 1-Phase 3 Wire		120/208 Volt 1-Phase 3 Wire	
	KW	AMPS	KW	AMPS
7773	7	29	5.5	25
7776	11.5	48	8.5	41
77710	15	63	11.5	54
7713	7	29	5.5	25
7716	11.5	48	8.5	41
77110	15	63	11.5	54

MODEL	240 Volt 3-Phase 3 Wire		120/208 Volt 3-Phase 4 Wire		480 Volt 3-Phase 3 Wire	
	Specify Opt. 21B	Specify Opt. 21A	Specify Opt. 21A	Specify Opt. 21C	Specify Opt. 21C	Specify Opt. 21C
	KW	AMPS	KW	AMPS	KW	AMPS
7773	†10.5	25	8	22	†12	14
7776	†10.5	25	8	22	†12	14
77710	†15	36	†11.5	31	†12	14
7713	†10.5	25	8	22	†12	14
7716	†10.5	25	8	22	†12	14
77110	†15	36	†11.5	31	†12	14

*No extra charge.
 † Separate 3 wire 120 Volt cord and plug for control circuit.

STEAM HEAT

Specify operating steam pressure. Standard is 10 to 25 PSI Gage. 1/2" FPT steam inlet and outlet. Requires plug-in of 3 wire cord to 120 Volt AC outlet. Steam trap to be supplied by others.

GAS HEAT

Specify Natural or L.P. gas. Standard includes thermostat with 100% safety pilot shutoff, stainless steel flue on rear and combustion chamber with aluminum heat shield under gas burner. Requires plug-in of 3 wire cord to 120 Volt AC outlet. Six and ten gallon models require connection to 160°F hot water line.

