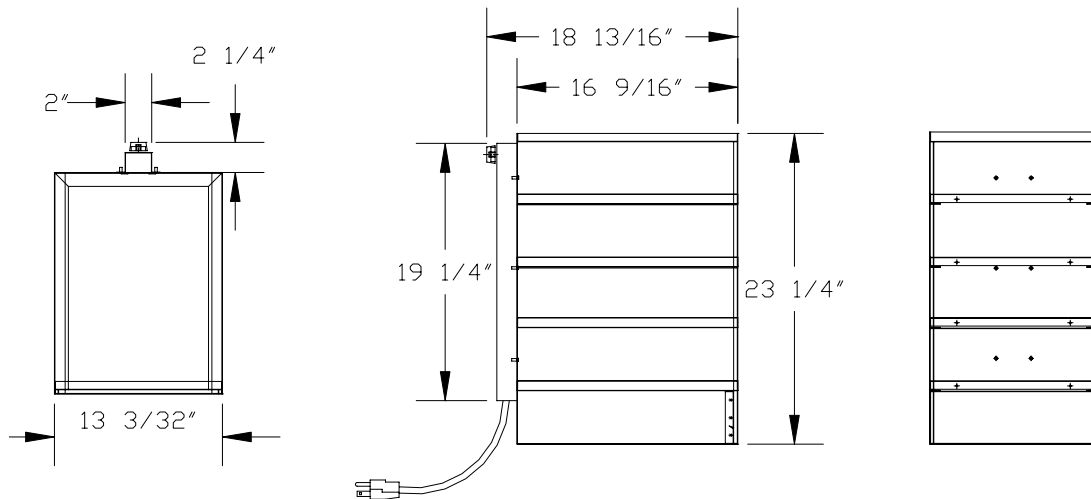


Bag Cheese Warmer

Model 2264



Electrical Specifications:

120V 60HZ. 80 watts
15 amp plug (NEMA 5-15P) 5 ft. long
Export 240v 50Hz.

Features:

- Four heated compartments
- Stainless Steel Construction
- Adjustable Temperature Control

Agency Approvals:

U.L., CUL, NSF, CE

Gold Medal Products Co.

10700 Medallion Drive
Cincinnati, Ohio 45241-4807

Phone: 513-769-7676 fax: 513-769-8500 e-mail: www.gmpopcorn.com

10/2003