



Item #: \_\_\_\_\_  
Models: ICO-E-10-M / ICO-E-20-M  
Product Name: SunFire Electric  
Convection Oven

SunFire Electric

SunFire Electric Convection Oven

Model # ICO-E-10/20-M



*Model ICO-E-10-M  
(shown with optional stainless  
steel exterior package)*

### Specification:

Full-size, deep depth, electric convection oven with electro-mechanical thermostat, 60-minute timer and 2-speed fan. Designed as a general purpose oven for baking or roasting a variety of food products faster and at lower temperatures by circulating air throughout the oven cavity.

### Standard Features:

- Electromechanical thermostat with a temperature range of 200°F - 500°F (93°C - 260°C), and 60-minute timer
- Total of 11.0 kW loading per oven cavity
- 208 or 240 Volt, 3-Phase, (not convertible to single phase)
- Two-speed fan with 3/4 HP motor
- 60/40 dependent door design with double pane thermal window in both doors
- Interior lights
- Porcelain enameled oven interior w/coved corners
- Five (5) chrome plated oven racks on 11-position, removable rack guides
- Stainless steel front, black powder coat epoxy sides, top, and legs
- Double-deck model available, (ICO-E-20-M)

### Optional Features:

- Stainless steel exterior package, (includes top, sides and legs)
- Extra oven racks
- Swivel casters, set of four; two locking, (please specify single or double deck  
NOTE: Ovens supplied with casters must be installed with an approved restraining device)



Garland Commercial Industries, Inc.  
185 East South Street  
Freeland, Pennsylvania 18224  
Phone: (570) 636-1000  
Fax: (570) 636-3903

Garland Commercial Ranges Ltd  
1177 Kamato Road, Mississauga, Ontario  
L4W 1X4 CANADA  
Phone: 905-624-0260  
Fax: 905-624-5669

Enodis UK LTD  
Swallowfield Way, Hayes, Middlesex  
UB3 1DQ ENGLAND  
Telephone: 020-8561-0433  
Fax: 020-8848-0041



Item #: \_\_\_\_\_  
 Models: ICO-E-10-M / ICO-E-20-M  
 Product Name: SunFire Electric  
 Convection Oven

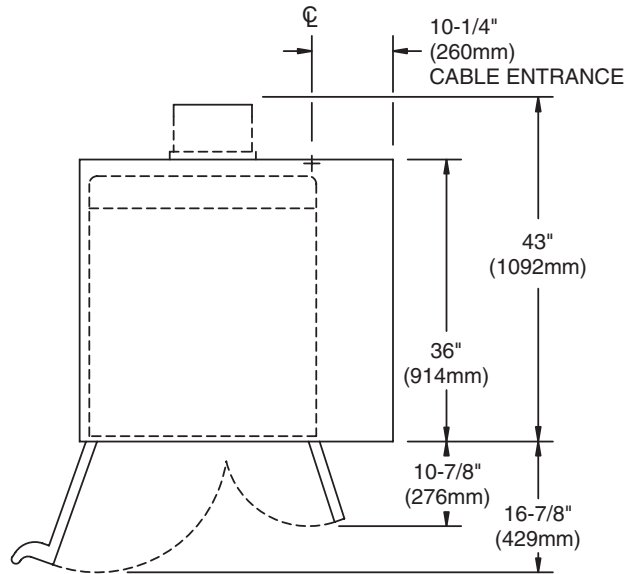
Width	Depth	Height		Oven Interior Dimensions			Combustible Wall Clearance	
		ICO-E-10	ICO-E-20	Height	Depth	Width	Sides	Rear
40" (1016mm)	44-1/2" (1130mm)	60" (1524mm)	72" (1829mm)	20-1/2" (520mm)	28-1/2" (723mm)	29" (736mm)	6" (152mm)	6" (152mm)

Model	Total kW Load	Nominal Amperes Per Line					
		208V / 3Ø*			240V / 3Ø*		
		X	Y	Z	X	Y	Z
ICO-E-10	11.0	32	32	28	28	28	24
ICO-E-20	22.0	60	65	60	52	56	52

Model	Shipping Information		
	Lbs.	Kg	Cube
ICO-E-10	700	315	58.0
ICO-E-20	1400	630	114.0

Model	Entry Clearances	
	Crated	Uncrated
ICO-E-10	47" (1194mm)	32-1/2" (826mm)
ICO-E-20		

\* Not convertible to single-phase



- These appliances are intended for commercial use by professionally trained personnel.
- It is the responsibility of the installer to ensure that installation complies with all national and local codes.

