

HD Counter Series Heavy-Duty Gas Griddles

Project _____
 Item _____
 Quantity _____
 CSI Section 11400
 Approved _____
 Date _____

Models

- GTGG24-GT24M • GTGG48-GT48M • GTGG72-GT72M • GTGG36-G36M • GTGG60-G60M
- GTGG36-GT36M • GTGG60-GT60M • GTGG24-G24M • GTGG48-G48M • GTGG72-G72M



Model GTGG24-GT24M

Standard Features

- Thermostat-controlled models feature precise control from LOW: 200°F, (90°C) to 550°F, (290°C), and 28,000 BTU/h input per burner, natural or propane. There is an on-off valve for every thermostat.
- Valve-control models feature hi-lo valve control with approximate plate temperature range: 320°F, (160°C) to 730°F, (388°C), and 27,000 BTU/h input per burner, natural or propane gas.
- One burner and control (hi-lo or thermostat control) for every 12" linear width of griddle surface.
- Piezo pilot ignition system
- 3/4" NPT gas regulator with "T" gas manifold connection for straight through rear or flush-mount gas connections.
- Stainless steel front, sides and back
- 4" Stainless steel adjustable legs
- Stainless steel front rail; 4" (102mm) deep overall with 3 1/2" (89mm) top work surface
- Models ordered with 4" (102mm) legs come with a deep 1.4 US gallon/5.3 litre capacity grease drawer(s) 20 1/2"(635mm) deep x 2 3/4"(70mm) high x 6"(152mm) wide.
- Models order with optional S/S skirt for dais counter surface mounting come with large capacity Stainless steel grease tray(s)
- 1" thick polished steel griddle plate
- 23" depth with 4" wide grease trough.

Options & Accessories

- Chrome griddle plate
- Full or half-grooved griddle plate
- Stainless steel skirt for dias/counter surface mounting
- Electric spark ignition; 120V 60 Hz, sgl-phase 0.1A; includes cord and NEMA 5-15P plug
- Electric spark ignition; 208/240V (50/60Hz) cord and plug is NOT supplied with this voltage option.
- Stainless stand with solid top holding shelves, adjustable feet and casters (locking front).
- Removable stainless steel attachment condiment rail with 1/9 food pan cut outs (pans supplied by others)

Specifications

Garland heavy-duty gas counter production griddles designed for side-by-side matching with other models in the product line.

Models are of nominal imperial widths from 24" (600mm) to 72" (1800mm), 13" (330mm) height, (w/std. legs), and 32" (814mm) depth.

There is an even heat "U" shaped steel track burner for every 12" of linear griddle surface width.

Each burner is individually controlled with a hi-lo valve or thermostat temperature control.

Burner input is 27,000 BTU/h each on valve-controlled models, and 28,000 BTU/h each on thermostat controlled models.

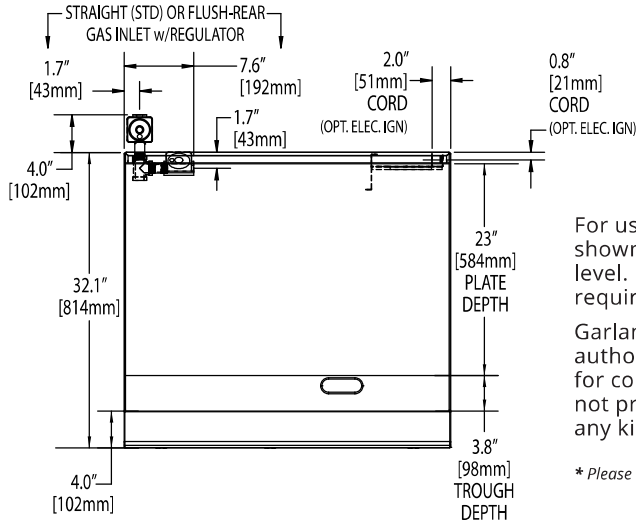
Thermostat controlled models are equipped with on-off valves for each control.

Griddle plate is standard 1" thick polished steel with a 4" wide grease trough.

Stainless steel front, sides and back with large capacity stainless steel grease tray(s).



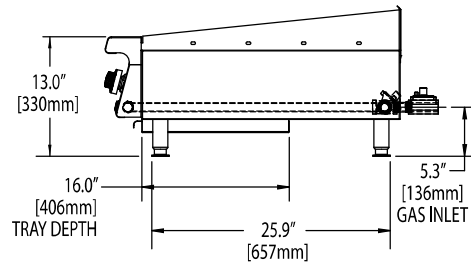
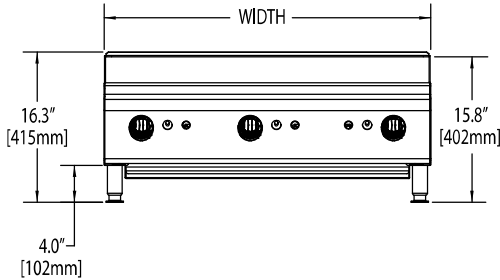
HD Counter Series Heavy-Duty Gas Griddles



For use with Natural or Propane gas only. Gas input ratings shown for installations up to 2000 ft., (610m), above sea level. Please specify altitudes over 2000 ft. and gas type required when ordering.

Garland/U.S. Range products are not approved or authorized for home or residential use, but are intended for commercial applications only. Garland / U.S. Range will not provide service, warranty, maintenance or support of any kind other than in commercial applications.

* Please add 5" (127mm) in overall depth with attachment condiment rail option.



Model #	Width In (mm)	Height (w/std legs)	Depth In (mm)	Total Input (BTU)	Shipping Information				
					Lbs/Kg	Cu Ft			
Thermostat Controlled Standard Griddle (1" steel plate)									
GTGG24-GT24M	23-5/8 (600)	13 (330)	32 (814)	56,000	270/132	21			
GTGG36-GT36M	35-7/16 (900)			84,000	405/184	29			
GTGG48-GT48M	47-1/4 (1200)			112,000	595/270	37			
GTGG60-GT60M	59-1/16 (1500)			140,000	705/320	42			
GTGG72-GT72M	70-7/8 (1800)			168,000	810/368	50			
Manually Controlled Standard Griddle (1" steel plate)									
GTGG24-G24M	23-5/8 (600)	13 (330)	32 (814)	54,000	280/127	21			
GTGG36-G36M	35-7/16 (900)			81,000	395/180	29			
GTGG48-G48M	47-1/4 (1200)			108,000	585/266	37			
GTGG60-G60M	59-1/16 (1500)			135,000	688/313	42			
GTGG72-G72M	70-7/8 (1800)			162,000	790/359	50			
SUPPLY OPERATING PRESSURE		MANIFOLD OPERATING PRESSURE				CLEARANCES			
NATURAL GAS		PROPANE		NATURAL GAS		PROPANE		INSTALLATION TO COMBUSTIBLE	
"WC	MBar	"WC	Mbar	"WC	MBar	"WC	Mbar	Sides	Rear
7	17.5	11	27.5	4.5	11	10	24.5	6" (152mm)	6" (152mm)

Garland reserves the right to make changes to the design or specifications without prior notice.

Garland Commercial Ranges Ltd.
1177 Kamato Road,
Mississauga, Ontario
L4W 1X4 CANADA

General Inquires 1-905-624-0260
USA Sales, Parts and Service 1-800-424-2411
Canadian Sales 1-888-442-7526
Canada or USA Parts/Service 1-800-427-6668

www.garland-group.com
6826C
08/25

