



PROJECT	
ITEM #	
QUANTITY	DATE
APPROVAL	

## ST4432N/STD4432N/UC4432N/UCD4432N

### Front-Breathing Flat Top and Undercounter Refrigerators

#### Short Form Specifications

**Exterior top** is one-piece, 22-gauge stainless steel with integral 2.12" (5.1cm) square nosing on the front.

**Exterior back and bottom** are two-piece 24-gauge galvanized steel. Exterior ends are stainless steel.

**Interior sides of door models** are thermoformed ABS plastic with integral shelf supports. Base is fully insulated with high-density foamed in place polyurethane.

**Refrigeration** system uses HFC-404A refrigerant. Compressor is 1/5 H.P., with condenser coil and condensate evaporator mounted on rear of the cabinet. Evaporator coil and temperature control are located on the interior rear wall of the cabinet. Refrigerant flow is controlled by a capillary tube. Cabinet maintains an interior cabinet temperature of 36°F to 40°F (2°C to 4°C).

**Electrical connections** are 115 volt, 60 Hertz, single phase. Unit has an 8' (2.4m) long electrical cord and NEMA 5-15P plug.

**Casters:** Equipment is mounted on 2" (5.08cm) diameter front locking plate casters. Equipment clearance above the floor is 2.5" (6.35cm).

**Doors** have a 22-gauge stainless steel exterior, with thermoformed ABS plastic interior liner. Cabinet of door models has one adjustable epoxy-coated wire shelf.

**Drawers** have a 22-gauge stainless steel exterior with thermoformed ABS plastic interior liner. Drawer frames and slides are 14-gauge stainless steel, with stainless steel bearings. Drawer units have two drawers. Top drawer will hold two 12" x 20" (30.5cm x 50.8cm) pans 4"-6" (10.1cm-15.2cm) deep. Bottom drawer holds two 4" (10.1cm) deep full size pans. Pans are supplied by others.



Model ST4432N

#### Optional Accessories and Modifications

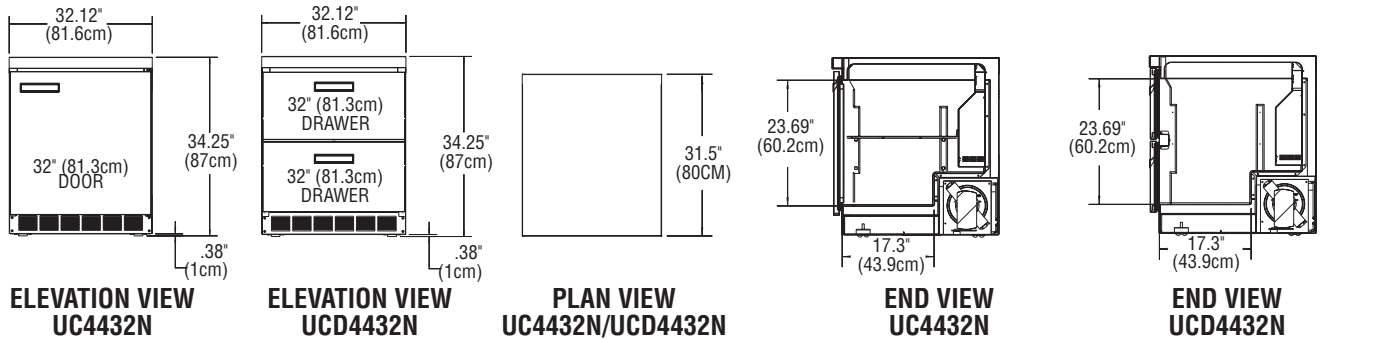
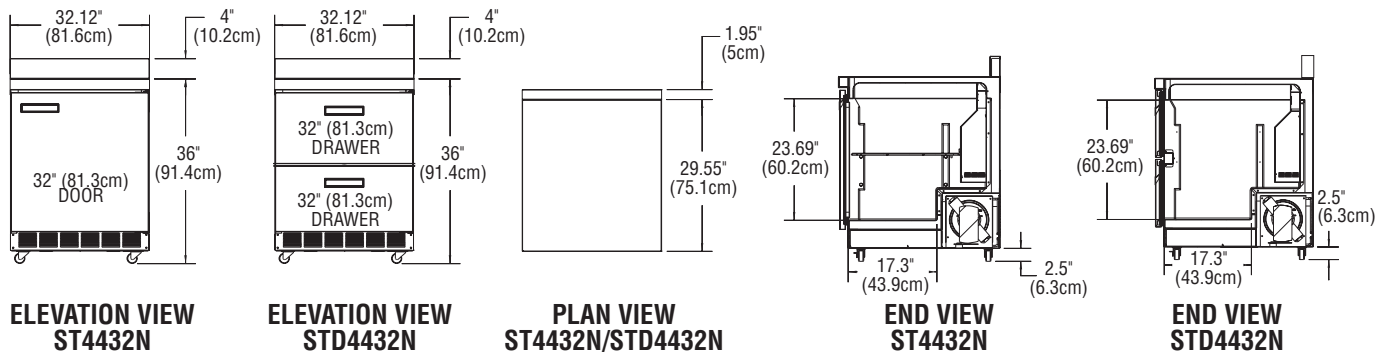
- 18" wide single tier overshelf
- Plastic laminate on front
- Additional wire shelves
- Door lock
- 36" height available for UC
- \*220V/50 Hertz electrical system
- \*Inclusion of this option will alter electrical specifications of the unit.



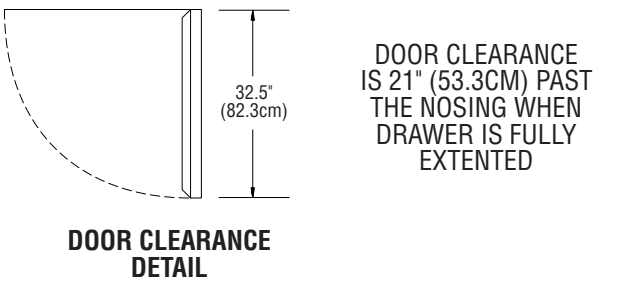


# ST4432N/STD4432N/UC4432N/UCD4432N

## Front-Breathing Flat Top and Undercounter Refrigerators



**INSTALLATION NOTE:**  
 Refrigeration system is designed so that air will flow under the unit, through the compressor area and out the front of the unit. Any restriction to this air flow path will void the warranties. **PLEASE NOTE:** Air flow through the louver on the back of the unit is not necessary for operation; however, any air which passes through the louver is beneficial.



**NOTE:** UC Models are shipped with an alternate caster kit, reducing the overall height to 34.25" (87cm)

### Mechanical Data—Standard Unit

MODEL NUMBER	#OF SHELVES	SHELF AREA. SQ. FT.	STORAGE CAP. CU. FT.	H.P.	VOLTS/HERTZ/ PHASE	AMPS	NEMA PLUG	SHIP WEIGHT
<b>ST4432N</b>	1	3.97	6.9	1/5	115/60/1	6.5	5-15P	280 lbs/ 127 kg
<b>STD4432N</b>	NA	NA	2.7	1/5	115/60/1	6.5	5-15P	315 lbs/ 143 kg
<b>UC4432N</b>	1	3.97	6.9	1/5	115/60/1	6.5	5-15P	280 lbs/ 127 kg
<b>UCD4432N</b>	NA	NA	2.7	1/5	115/60/1	6.5	5-15P	315 lbs/ 143 kg