

Model B430AP

Ice Storage Bin



Features:

- Space saving design – only 30" wide
- Low profile
- Quality construction
- One piece rotomolded cabinet
- Non-CFC foam insulation
- Corrosion proof
- Virtually indestructible
- Stainless steel door



Model B430AP

Technical Specifications:

Certified Cube Storage Capacity: 290 lbs. (132 kgs.) certified in accordance with ARI Standard 820-88

Drain Connection: 1" (3 cm) fitting can be adapted to plastic, copper or galvanized drain line

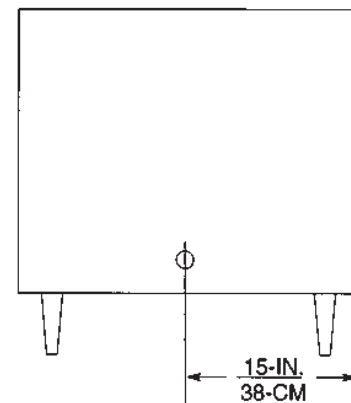
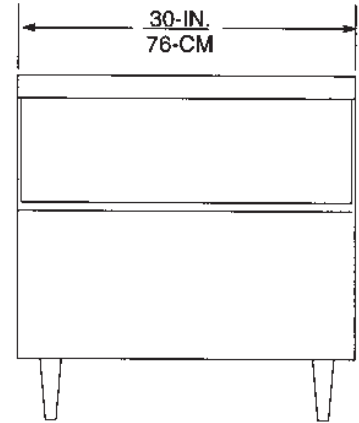
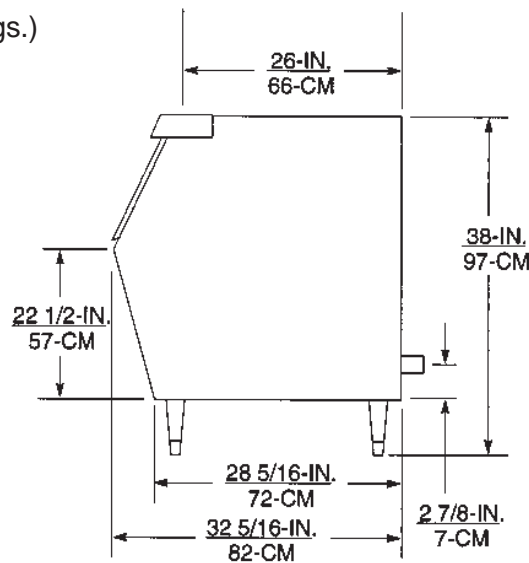
Cabinet Finish: One piece gray polyethylene exterior and interior. Stainless steel door.

Ice Storage Capacity: 400 lbs. (182 kgs.)

Operating Weight: 68 lbs. (31 kgs.)

Shipping Weight: 92 lbs. (42 kgs.)

Agency Listings:



| Part No. | Description | Ice Maker Application |
|----------|-----------------|--------------------------|
| B430AP | Ice Storage Bin | 330/530/630 Cuber series |



For more information or to place an order, contact your sales representative or authorized distributor.

In the US:
 Phone: 1-800-238-3600
 Fax: 1-800-535-4235
Outside the US:
 Phone: 1-763-421-6120
 Fax: 1-763-422-3297

IMI Cornelius Inc.
 One Cornelius Place
 Anoka, MN 55303-6234
 USA