



BEVERAGE-AIR

3779 Champion Blvd., Winston-Salem, NC 27105
1-888-845-9800 Fax# 1-336-245-6453
<http://www.Beverage-Air.com>

Commercial Refrigeration Equipment General Specification

3 Year Parts/Labor Warranty Additional 2 Year Compressor Warranty

CURVED DELI REFRIGERATED MERCHANDISER

The Curved Deli Refrigerated Merchandiser enhances the display of cold products: Beverages to Salads, Bakery to Deli, Fruits to Nuts.

CABINET CONSTRUCTION

Cabinet exterior is constructed of heavy-duty black or white coated steel, with 14" stainless steel top. Cabinet interior constructed of heavy-duty coated steel and stainless steel floor. Choose from black, white or stainless finish.

Foamed-in-place CFC and HCFC-free polyurethane insulation enhances the structural strength of the cabinet and helps increase energy efficiency.

Self-closing tempered sliding glass thermal pane doors with lock and stay open feature at cabinet rear provide convenient access to displayed product.

Two tiers of adjustable with epoxy coated steel wire shelves are standard. Product is brilliantly illuminated with a fluorescent canopy light and two shelf lights suspended from adjustable epoxy coated shelves. Optional third shelf with light available.

Mirrored interior sides standard.

Load leveler legs are standard.

REFRIGERATION

Refrigeration system designed to provide optimum internal temperature and humidity for extended product life. Low velocity air cools with minimum drying.

ELECTRICAL

Units wired at factory and ready for connection to a 115/60/1 phase, 15 amp dedicated outlet. 8' long cord and plug set included.

SPECIAL FEATURES

- Internal fluorescent lighting
- Mirrored interior sides standard.
- Optional third shelf with light available

Item No. _____
Quantity _____

CURVED GLASS REFRIGERATED PRODUCT MERCHANDISER CDR SERIES

MODEL:
CDR3
CDR4
CDR5
CDR6



CDR3
(shown in black exterior)



CDR5
(shown in white exterior)



CDR6
(shown in stainless steel exterior)

Available From:



*Note: Not all markings may apply to all model variations.

Model Specified _____

Store# _____

Location _____

Quantity _____



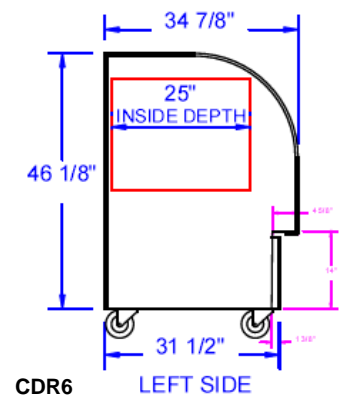
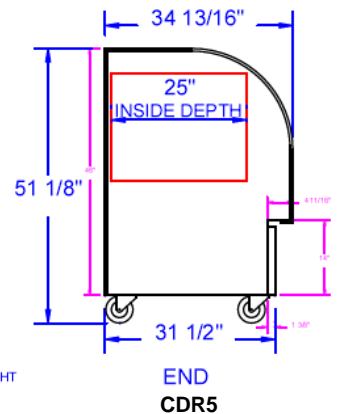
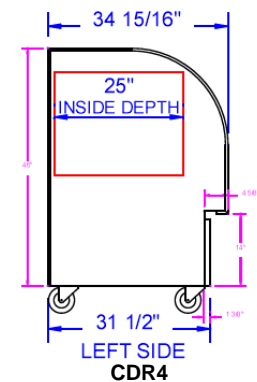
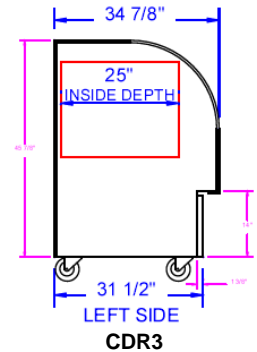
BEVERAGE-AIR

Curved Deli Refrigerated Merchandiser

Model: CDR3, CDR4, CDR5, CDR6

MODEL	CDR3	CDR4	CDR5	CDR6
EXTERNAL DIMENSIONAL DATA				
Length Overall (inches)	37 3/16"	49 1/8"	61 1/16"	73 3/16"
Length Overall (mm)	945	1248	1551	1859
Depth Overall (inches)	34 7/8"	34 15/16"	34 13/16"	34 7/8"
Depth Overall (mm)	886	887	884	886
Height Overall— (inches)	45 7/8"	46"	46"	46 1/8"
Height Overall— (mm)	1165	1168	1168	1172
INTERNAL DIMENSIONAL DATA				
NET Capacity (cubic ft.)	13.4	18.1	22.9	27.6
NET Capacity (Liters)	380	513	649	782
Internal Length Overall (inches)	32"	43 1/2"	55 1/2"	67 1/2"
Internal Length Overall (mm)	813	1105	1410	1715
Internal Depth Overall (inches)	25"	25"	25"	25"
Internal Depth Overall (mm)	635	635	635	635
Internal Height Overall—(inches)	21"	21"	21"	21"
Internal Height Overall—(mm)	533	533	533	533
Number of shelves	2	2	2	2
ELECTRICAL DATA				
Full Load Amperes 115/60/1	8.5	8.5	10.5	10.5
REFRIGERATION DATA				
Horsepower	1/3	1/3	1/2	1/2
WEIGHT DATA				
Gross Weight (Crated lbs)	482	520	626	696
Gross Weight (Crated kg)	219	236	284	316

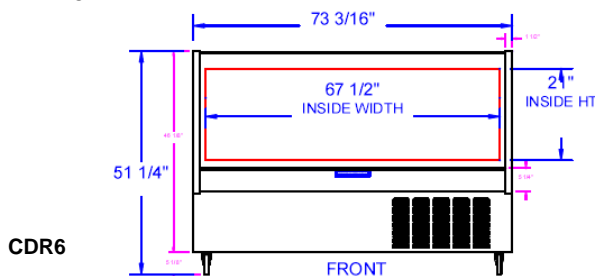
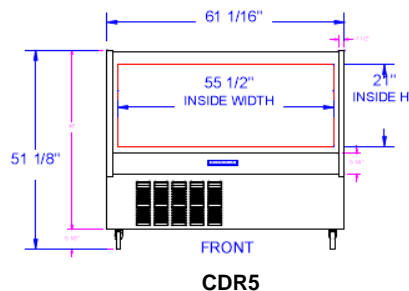
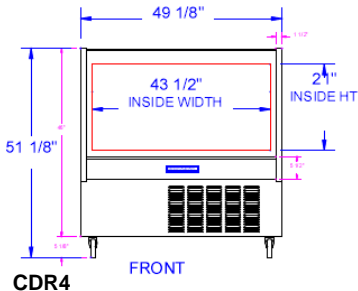
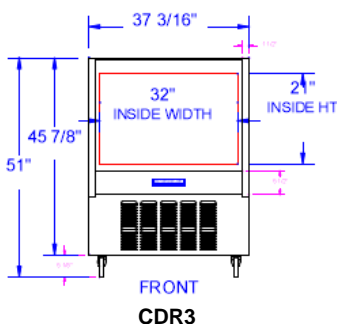
PLAN VIEWS



ELECTRICAL CONNECTION

Units pre-wired at factory and include 8' long cord and plug set.

Note: Not all markings may apply to all model variations.



BEVERAGE-AIR® CORPORATION

3779 Champion Blvd. • Winston-Salem, NC 27105 USA • (336) 245-6400 • Fax (336) 245-6453 • (888) 845-9800 • www.beverage-air.com

Specifications are subject to change without prior notice. 06/13