

# UBB Series

## Commercial Back Bar Refrigerators



- LED lighting to enhance product visibility
- 24" narrow depth
- Stainless steel countertop
- Adjustable shelves included
- Stay-open swing doors
- Automatic defrosting
- ETL Sanitation Listed

The UBB Series of back bar refrigerators is the space-saving solution for storing beer, soda, and drink mixers and your bar, club, or restaurant! LED lighting, adjustable shelves, and a stainless steel countertop are just a few of the features that make the UBB Series the best value on the market. Designed with a convenient 24" narrow width, UBB Series refrigerators are available in both glass and solid door models to suit all of your back bar needs!





## Features

- LED lighting to enhance product visibility
- Holds (1,152) 12 oz. cans or 3 kegs
- Stainless steel countertop
- (6) plastic coated wire shelves included
- Automatic defrosting
- (3) swing doors
- 24" narrow depth
- ETL Sanitation Listed

## Technical Data

### Dimensions

Exterior Dimensions (W x D x H)	72 ¾" x 24½" x 35 ¾"
Interior Dimensions (W x D x H)	60" x 20½" x 31"
Net Volume (cu. ft.)	19.6 cu. ft.
Net Weight	410 lbs.
Product Capacity	3 Kegs (1,152) 12 oz. Cans, (624) 12 oz. Bottles

### Cooling

Temperature Range	33° - 41°
Refrigerant	R134a
Maximum Ambient Temperature Rating	90°
Defrosting	Automatic
Temperature Display	Yes (back of unit)
Temperature Controller	Mechanical
Horsepower	1/3

### Construction

Housing Material	Steel with Wear-Resistant Black Coating
Interior Material	304 Series Stainless Steel
Countertop Material	304 Series Stainless Steel
Door Material	Steel with Wear-Resistant Black Coating
Insulation Material	Foamed in Place Polyurethane
Shelf Material	Plastic Coated Wire

### Electrical

Voltage	115V
Amps	7.4
Hz	60
Phase	1
Electrical Cord Length	93"

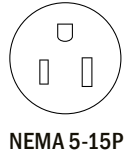
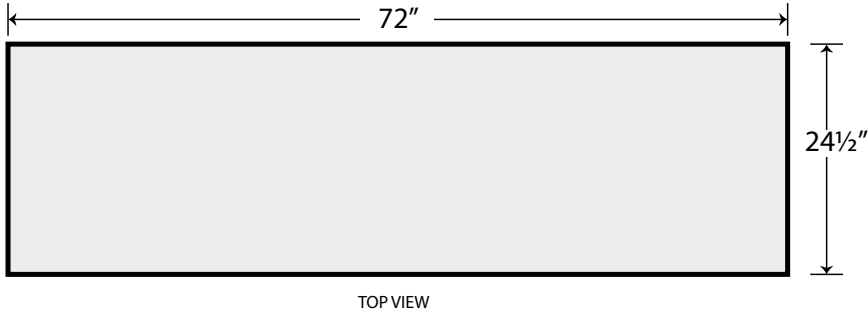
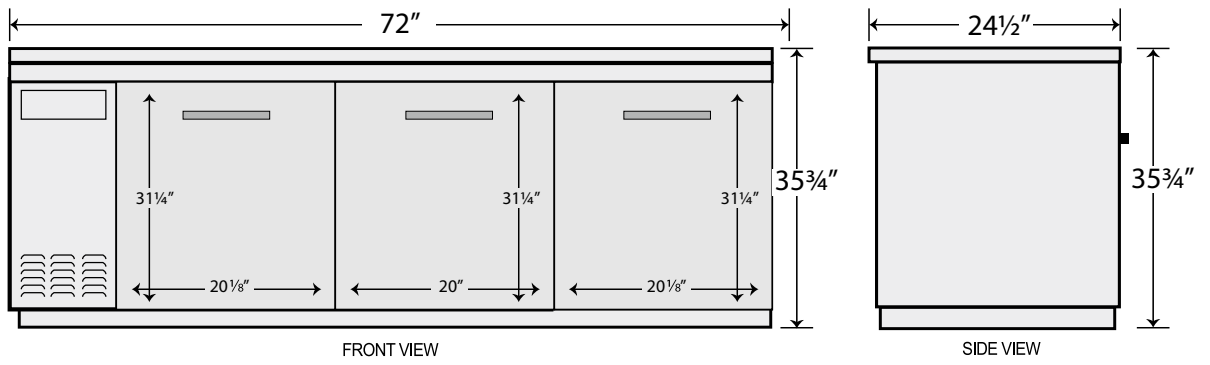
The Avantco UBB-24-72 solid door back bar refrigerator is the space-saving solution for storing beer, soda, and drink mixers at your bar, club, or restaurant! This 3-door unit can hold up to (3) kegs, (1,152) 12 oz. cans, or (624) 12 oz. bottles. Adjustable shelves and LED lighting allow for easy storage and product visibility on your busiest bar nights!

This unit's narrow 24" depth is ideal for areas with limited bar space, and its 304 series stainless steel top can fit under existing cabinetry or serve as a countertop. Six adjustable plastic coated wire shelves allow you to arrange shelving to accommodate different sized beverages.

This back bar unit's side-mounted, 1/3 hp compressor uses R134A refrigerant. Foamed in place high density polyurethane insulation helps maintain interior temperatures of 33 to 41 degrees Fahrenheit. A sturdy stainless steel interior and coated, wear-resistant exterior ensure long-lasting durability!

The Avantco UBB-24-72 has a 115V, 7.4 amp, 60 Hz. electrical rating, and is ETL Sanitation Listed for packaged and bottled products.

## Plan View





**1 year**  
WARRANTY

Parts & Labor



**5 year**  
WARRANTY

Compressor

All Avantco Refrigerators and Freezers are backed by a 1 year parts and labor warranty, with a 5 year warranty on the compressor. For warranty inquiries or service, first locate the serial number plate on the front of the unit, or inside the door jamb. Next, call 1-800-678-5517. Be sure to have the serial and model numbers available when contacting service technicians.