

T Series Conveyor Toaster



The Avantco T-Series conveyor toaster is tough, robust and ideally suited to produce perfect toast consistently. Suitable for all types of bread or buns. Simply plug in and start toasting.

- 300 slices per hour
- Portable and compact enough for caterers
- Ideal for breakfast buffets, coffee shops and cafeterias
- Unit will toast a wide variety of bread products
- 3" opening large enough for bagels





Features

- 300 slices per hour
- 3" opening large enough for bagels
- Front or rear discharge chutes
- 10" wide stainless steel conveyor belt
- Adjustable belt speed to fully control quality of toasted product
- Toasts a wide variety of bread products
- Energy saving standby function
- Portable and compact for caterers

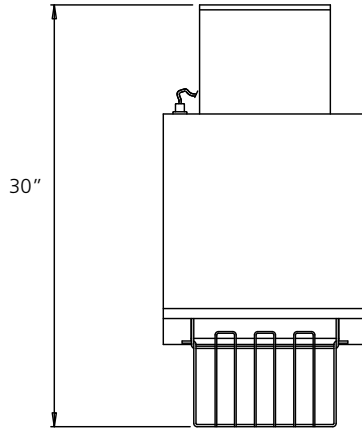
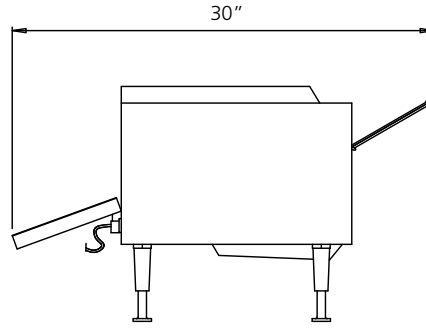
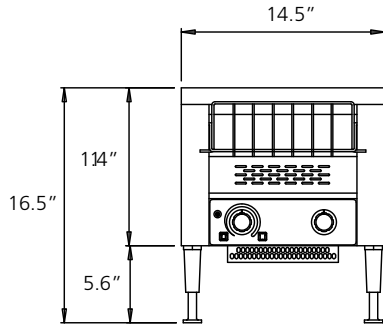
Description

The Avantco T140 Conveyor Toaster is tough, robust and ideally suited to produce perfect toast consistently. Suitable for all types of bread or buns. Simply plug in and start toasting.

Technical Data

Capacity	300 Slices/Hour
Dimensions	14.5" x 30" x 16.5"
Box Dimensions	20.5" x 15.5" x 17.5"
Voltage/Power	120V/1.75Kw
Watts	1750W
Shipping Weight	38 lbs.
Electrical Cord Length	50"

Plan View



TOP VIEW

