

IC Series Induction Ranges

EQUIPMENT
AVANTCO

These Avantco Induction cookers are safer than conventional countertop ranges since there's no open flame or exposed burner-- plus they heat much faster too!

- Available in 1800 or 3500 watts
- ETL and CE Listed, and FCC compliant
- Light weight, portable
- Automatic shutoff
- Stainless steel body (IC1800 & IC3500 only)





Features

- 1800 watts, 120V
- Durable plastic frame
- Light weight, portable for display cooking
- 2 cooking modes
- Lockable keypad

Description

This Avantco BT-M20 countertop induction range delivers superior usability and performance for all your cooking needs! Perfect for display cooking and other light-duty applications, this induction unit is safer than conventional countertop ranges since there's no open flame or exposed burner; plus its innovative technology allows it to heat up in as little as 1 min. For added convenience, a built-in 170 minute timer and lockable keypad allow you to maintain total control over your culinary creations, and you can cook using either a power level / wattage mode (500-1800W), or a temperature mode that ranges from 140 - 460 degrees Fahrenheit. Simply place an induction-ready pan or pot on the cooking surface and turn it on!

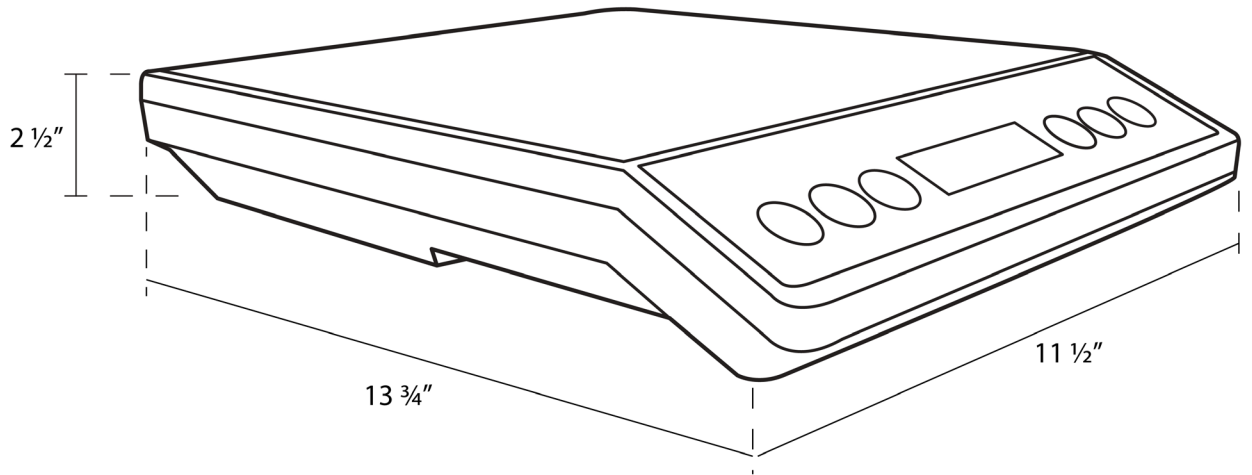
- Accepts induction-ready pots or pans with a bottom diameter of 5" to 8"
- Power level / wattage mode from 500-1800W
- Temperature mode from 140-460 degrees Fahrenheit
- Heat generated in the bottom of the cookware for super-fast cooking speeds
- Easy to read digital display with lockable keypad
- 170 min. timer (5 min. increments)
- Automatically switches to standby mode when cookware is removed from surface



Technical Data

Dimensions	11½" W x 13¾" D x 2½" H
Watts	500 - 1800W
Voltage/Power	120V
Frequency	60 Hz
Temperature	140°F - 460°F
Timer	0 - 170 minutes

Plan View



NEMA 1-15P