

C-Series Coffee Brewers, Urns, & W-Series Warmers



With Avantco's pourover coffee brewers, urns and decanter warmers, you'll always have fresh, hot coffee on hand. Push button operation and stainless steel construction make them easy to operate and own.

- Perfect for coffee shops, diners, c-stores, restaurants break rooms and more
- Stainless Steel Construction
- Always have fresh, hot coffee ready for your customers



**C10 - 2 Burner Pourover
Coffee Brewer**



Description

Simple push-button operation and the pourover design make the Avantco C10 coffee brewer a breeze to use! It features one upper and one lower warmer, so you'll always have a hot pot ready while the other one is brewing! The Avantco C10 brews delicious, hot coffee at the optimal brewing temperature of 201 to 205 degrees Fahrenheit, for rich, consistent coffee every time. Its all-stainless steel construction makes the brewer easy to clean, and it is UL Listed. The Avantco C10 requires a 120V electrical connection. Because the Avantco C10 will begin brewing immediately when the water reservoir is filled, we recommend leaving it unplugged when filling for the first time. Overall Dimensions are 7 3/4"W x 14 1/4"D x 16 3/4"H.

Features

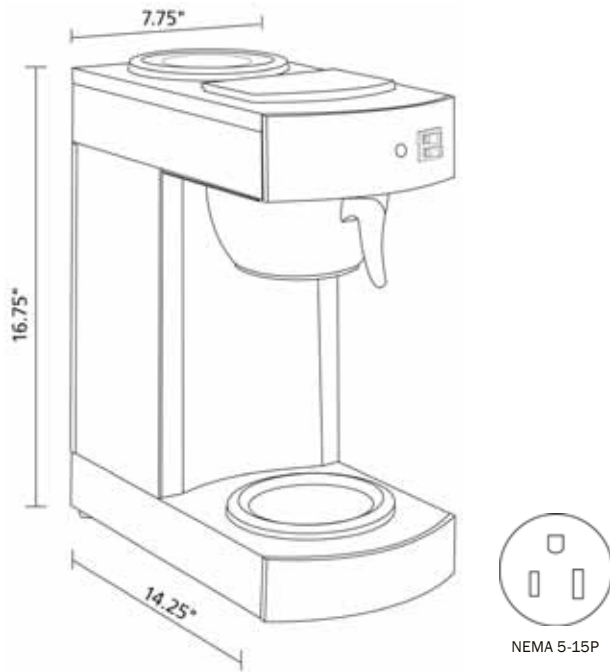
- All stainless steel design
- 2.2 liter water tank reservoir
- Pourover operation- no plumbing required
- Optimal brewing temperature 201°-205° F
- Easy-to-drain water tank pipe feature
- Lighted system function
- Standard 120V operation
- ETL compliant

Technical Data

Dimensions	7 3/4" x 14 1/4" x 16 3/4"
Tank Capacity	2.2 Liters (1/2 Gal.)
External Material	Stainless Steel
Brewing Temperature	201°-205° F
Voltage	120V
Watts	1650W
Hz	50-60Hz
Cord Length	3'



Plan View



Recommended Companion Product



There's nothing like the enticing aroma of freshly brewed coffee. With Crown Beverages coffee, you'll always serve a perfect cup. Plus, if you do the math, you'll see that you could be saving nearly a dollar per pound or more, compared to some popular national brands!

Accessories

Description

This delimiting spring fits into the sprayhead opening of pour-over coffee makers to loosen lime deposits. Made of stainless steel. 1/3"D x 20"L . Item sold separately.



3591901033