




Caution:

1. Buckle infant up with the safety straps at all time.
2. It's recommended not to use and chemical contained cleaning products for cleaning.

“  **WARNING:** Prevent serious injury or death from falls or sliding out.”

Always secure child in the restraint.
Always keep child in view while in high chair.
Never leave child unattended
Weight limitation of 35 Lbs

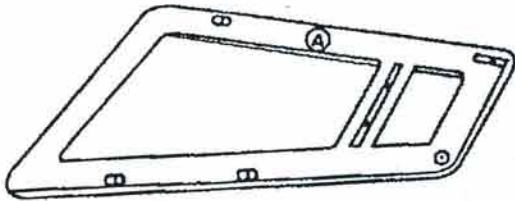
ASSEMBLY INSTRUCTIONS

CONTNETS:

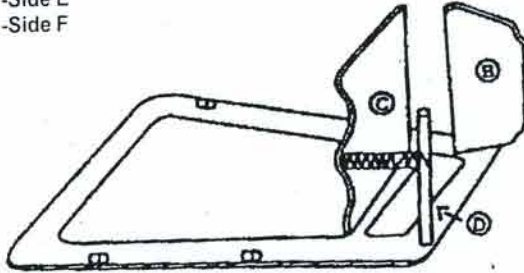
Quantity	Description
14	JCBC M6 diam x 40mm
02	Pre-assembled side panels
01	Back panel, 12" x 6-5/16"
01	Seat panel, 13" x 10-5/8" w/straps
01	Barrler bar, 11-15/16" x 1-1/4" diam
01	Horizontal strut, 14-11/16" x 1-3/4"
02	Horizontal struts, 16-7/16" x 1-3/4"

"Please use wood glue when assembling joints"

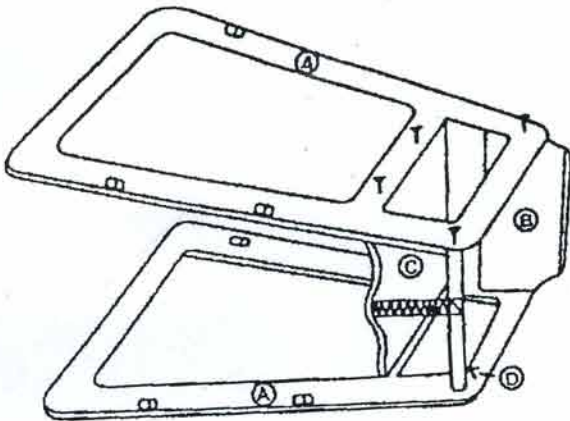
- Side A
- Side B
- Side C
- Side D
- Side E
- Side F



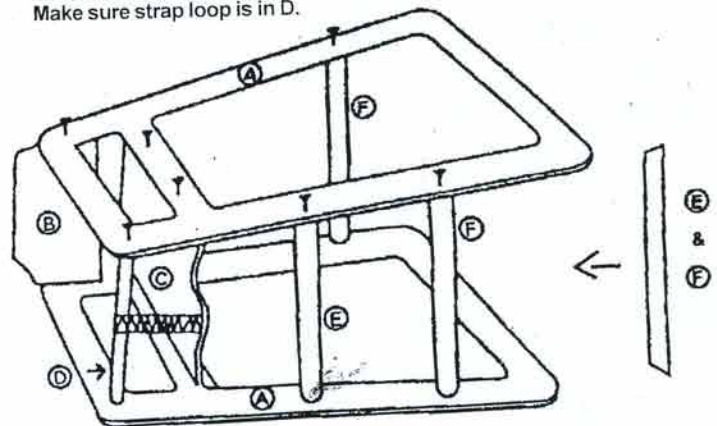
- Place side A on flat surface with Slot facing up.



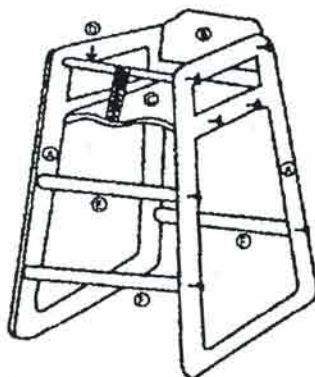
- Insert back B into slot, (waming Instructions at the back) tap in with palm
- Insert seat C into slot, waist belt screwed ends are at the bottom of seat, tap in.
- With strap uncolled, attached bar d into slot. Make sure strap loop is in D.



- Place remaining side A on top of B, C & D tap in place. This will hold in place until secured.
- Starting with back B install screws loosely in B, C & D.



- Turn chair over and install screws as in step 6.
- Tap shorter bar E into slots, making sure angle cuts on ends are properly aligned (shorter width at top), install screw.
- Tap in bottom bars F, install screws.



- Turn chair upright and tighten all screws.

WARNING: NEVER LEAVE CHILD IN HIGH CHAIR UNATTENDED
Maintenance: Periodically tighten screws, as needed
 Clean with mild detergent and soft cloth

"We strongly advise against using electric drills or appliances when assembling this product"