

PRODUCT:

QUANTITY:

ITEM #:

Designed Smart

- | | | |
|--|--|--|
| <input type="checkbox"/> MCTRS-2020-5 | <input type="checkbox"/> MCTRS-2020-6 | <input type="checkbox"/> MCTRS-2020-6.5 |
| <input type="checkbox"/> HMCTRS-2020-5 | <input type="checkbox"/> HMCTRS-2020-6 | <input type="checkbox"/> HMCTRS-2020-6.5 |
| <input type="checkbox"/> MCTR-1418 | <input type="checkbox"/> MCTR-1616 | <input type="checkbox"/> MCTR-1620 |
| <input type="checkbox"/> MCTR-1622 | <input type="checkbox"/> MCTR-1020 | <input type="checkbox"/> MCTR-2020 |
| <input type="checkbox"/> HMCTR-1020 | <input type="checkbox"/> HMCTR-2020 | |

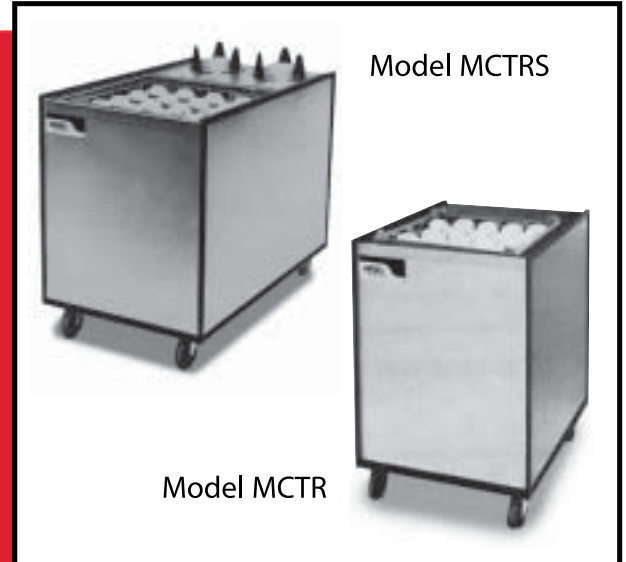
Bid Specifications

- Mobile cantilever-type self-leveling dispensers to store racks of cups or glasses or trays at a constant dispenser height for customer convenience. These enclosed dispensers are available in unheated or heated models for a variety of tray or rack sizes. The MCTRS series also accommodates two stacks of china in addition to trays or racks through the use of drop-in dish dispensers. All units feature an easily adjustable dispensing system which covers a wide load rate range. By connecting self-contained extension springs, the spring rate can be increased in increments of one lb./inch. Stainless steel construction. Four-inch rubber casters standard. Caster brakes on rear casters.

Built Solid

Reliability backed by APW Wyott's Warranty

- All APW Wyott Dispensers are backed by a 1-year Parts and Labor warranty, including On-Site Service calls within 50 miles of authorized service technicians.
- Certified by the following agencies:



MOBILE CANTILEVER LOWERATORS

APW Wyott Design Features

- Stainless steel construction.
- Protective corner bumper standard.
- Tray carrier will not tip or bind.
- Convenient push handle.
- Lift-out panel for easy access to dispensing mechanism.

Options:

- 5P 5" polyurethane casters, two with brakes.
- OS Overshelf installed on Models MCTR and HMCTR.
- Custom plastic laminate exteriors.

See Reverse Side for product specifications



Enclosed Mobile Cantilever Lowerator Dispensers

Model: MCTR MCTRS

PRODUCT:

QUANTITY:

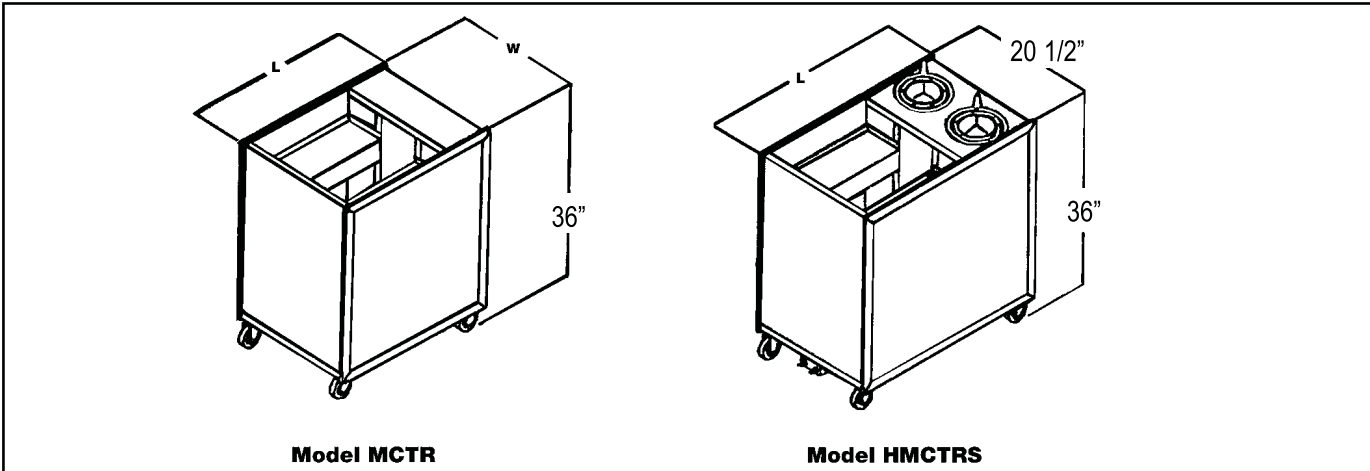
ITEM #:

PRODUCT SPECIFICATIONS

Stainless steel construction. Standard non-marking 4" hard rubber casters and rubber perimeter bumpers.

Capacity:

To 125 trays, 14 dozen cups, 16 dozen glasses. Saucer dispensers up to six dozen saucers each. Vertical storage 27 1/2" (23" travel and 4 1/2" to top of unit). Total Load Capacity: Up to 250 lbs.



F.O.B. Cheyenne, WY

Models MCTR & MCTRS Mobile Cantilever Tray Dispensers

Model Number	Platform Dimensions		Overall Dimensions		Shipping Weight	Saucer Size	Electrical Specs*	
	W1	L1	W	L			Amps	Watts
MCTRS-2020-5	20 1/2"	20 1/2"	24"	40 3/8"	247 lbs.	Up to 5"	—	—
MCTRS-2020-6	20 1/2"	20 1/2"	24"	40 3/8"	247 lbs.	5 1/8" to 5 3/4"	—	—
MCTRS-2020-6.5	20 1/2"	20 1/2"	24"	40 3/8"	247 lbs.	5 7/8" to 6 1/2"	—	—
HMCTRS-2020-5	20 1/2"	20 1/2"	24"	40 3/8"	274 lbs.	Up to 5"	10.8	1250
HMCTRS-2020-6	20 1/2"	20 1/2"	24"	40 3/8"	274 lbs.	5 1/8" to 5 3/4"		
HMCTRS-2020-6.5	20 1/2"	20 1/2"	24"	40 3/8"	274 lbs.	5 7/8" to 6 1/2"		
MCTR-1418	14 1/2"	18 1/2"	18"	28 1/4"	160 lbs.		—	—
MCTR-1616	16 3/4"	16 3/4"	20 1/4"	26 1/2"	175 lbs.			
MCTR-1620	16 3/4"	20 3/4"	20 1/4"	30 1/2"	180 lbs.			
MCTR-1622	16 3/4"	22 1/2"	20 1/4"	32 1/4"	180 lbs.			
MCTR-1020	20 1/2"	10 1/2"	24"	20 1/4"	160 lbs.			
MCTR-2020	20 1/2"	20 1/2"	24"	30 1/4"	204 lbs.			
HMCTR-1020	20 1/2"	10 1/2"	24"	20 1/4"	185 lbs.			
HMCTR-2020	20 1/2"	20 1/2"	24"	30 1/4"	231 lbs.			

* 208/240V units are available

