

PRODUCT:

QUANTITY:

Models: EHP-H 208V EHP-H 240V SEHP-H 208V SEHP-H 240V
ITEM #:

Designed Smart

Compact Design With High Output

- Fits in tight counter space.
- Reaches boiling temperatures fast (8 minutes).

Saves Time and Clean-Up Labor Cost

- Available in a style that fits your operations:
 - High output coil loops.
 - Solid plate burners.
- Easy to service with "easy to open" front panel.
- Maintenance is easier with bottom-mounted grease collection pan and removable top grates.
- Improved Infinite Control design gives operators maximum ability to control temperature and higher reliability.



MODEL EHP COUNTERTOP ELECTRIC HOT PLATE

Built Solid

Built to Last

- Thick, stainless steel construction protects against kitchen "wear and tear" and rust.
- High temperature wiring used for long life.

Reliability backed by APW Wyott's Warranty

- All APW Wyott cooking equipment is backed by a 3-year limited warranty and a one-year on-site labor warranty
- Tested by the following agencies:



APW Wyott Design Features

- Heavy-duty stainless steel construction.
- Dual 8" (20 cm) coil loops.
- 4" (10 cm) adjustable legs.
- Hinged front panel with quick-release screws for easy service access.
- Dual infinite controls with indicator lights (one for each coil).
- Removable chrome-plated drip pans under each heating coil.

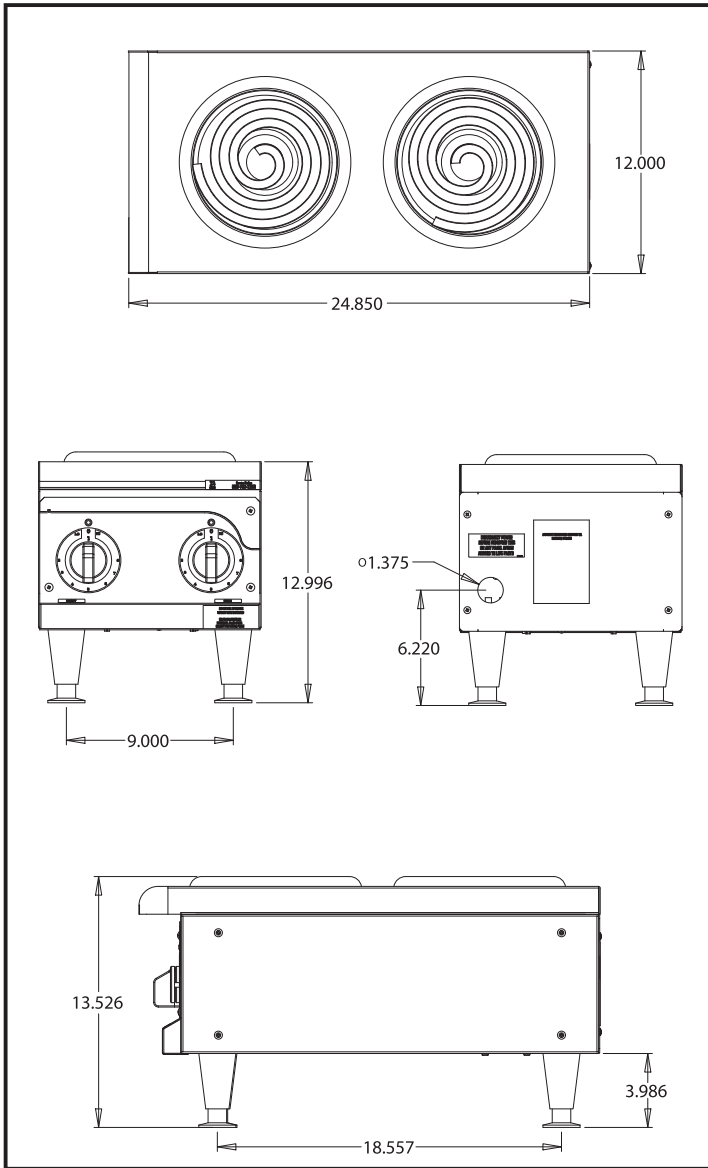
Options & Accessories

- Solid Plate Burners

PRODUCT:

QUANTITY:

ITEM #:



Model EHP, Countertop Electric Hot Plate

PRODUCT SPECIFICATIONS

Construction:

Heavy-duty stainless steel. Chrome-plated drip pans, legs, solid plate burner.

Electrical Specifications:

EHP-H 208: 208V, 4000W, 19.3 Amp
(17.5 @ 3PH) 1/3 PH; rear panel terminal block access

EHP-H 240: 240V, 4000W, 16.7 Amp
(15.2 @ 3PH) 1/3 PH; rear panel terminal block access

SEHP-H 208: 208V, 4200W 19.3 Amp
(17.5 @ 3PH) 1/3 PH

SEHP-H 240: 240V, 4200W 16.7 Amp
(15.2 @ 3 PH) 1/3 PH

Specify wattage and voltage when ordering.

Electrical Information:

Unit is configured for hard wiring in the field.

Overall Dimensions:

14"H x 12"W x 24-3/4"D
35.6cm x30.48cm x 63cm

Ship Weight:

EHP: 33 lbs. (15 kg)
SEHP: 44 lbs. (19.5 kg)
F.O.B. / Cheyenne, WY