



DROP-IN RACK LOWERATOR® DISPENSERS

Model DI

PROJECT:

QUANTITY:

ITEM NO.:



- DI 1014 DI 1418 DI 2020
- DI 1020 DI 1620
- DI 1216 DI 1622

BID SPECIFICATIONS

The DI Drop-In Rack Lowerator® Dispenser uses a self-leveling carrier mechanism to dispense cups, glasses or trays in a serving line or at a beverage service point. The unit is easily installed by cutting an opening in the countertop and dropping the dispenser in place. The welded flange supports the unit on the countertop. Made of stainless steel, the dispenser is lightweight and easily removed for cleaning.

Dispensing Mechanism

The dispensing mechanism is field adjustable for a wide range of loads. Standard units adjust from 3.5 lbs. per inch to 10 lbs. per inch load rate. The stainless steel carrier, which cannot bind or tip, is suspended at four corners by nylon-coated, braided metal cables fed off power drums on two sides. This design keeps the top-most tray or rack at a selected dispensing level. The positive, braided cable-stop limits travel of carrier to 24", protecting the mechanism from overextension.

Options

Accessory frame rack available.

- DIF 1014 DIF 1418 DIF 2020
- DIF 1020 DIF 1620
- DIF 1216 DIF 1622

Model DI Drop-In Rack Lowerator® Dispensers



WARRANTY

Parts and Labor, 12 months.

See reverse side for product specifications.

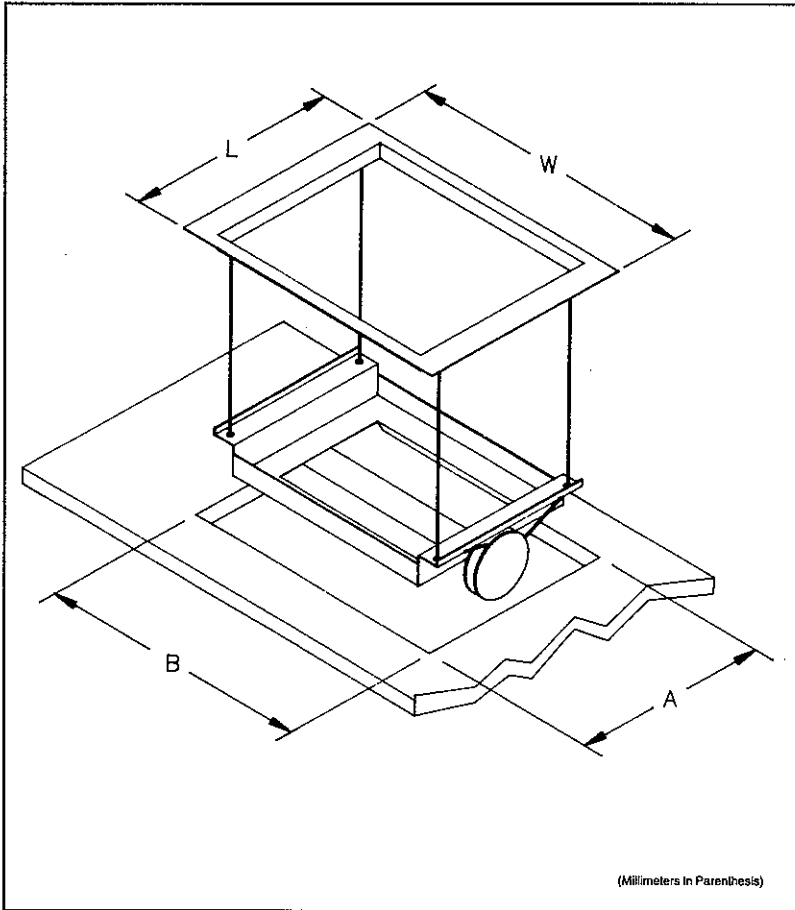
APW/Wyott Foodservice Equipment Company

729 Third Avenue • Dallas, TX • 75226 • 800-527-2100
1938 Wyott Drive • Cheyenne, WY • 82007 • 800-752-0863



DROP-IN RACK LOWERATOR® DISPENSERS

Model DI



PRODUCT SPECIFICATIONS

Capacity:

(All models) Up to 11 dozen cups, to 14 dozen glasses, to 130 trays.

Carrier Travel:

24 inches

Vertical Clearance Beneath Top:

29 inches

Load Capacity:

200 lbs.

Storage Under Countertop:

25 inches

Model DI Drop-In Rack Lowerator® Dispensers

Model Number	Rack or Tray Size	Dimensions				*Accessory Frame Rack Catalog Number	Accessory Frame Rack Dimensions	
		Flange W	Flange L	Counter Cut-Out B	Counter Cut-Out A		X	Y
DI-1014	10 x 14	19	14	18	13	DIF-1014	17 ⁵ / ₈	12 ³ / ₄
DI-1020	10 x 20	25	13 ¹ / ₄	24	12 ¹ / ₄	DIF-1020	23 ⁵ / ₈	12
DI-1418	14 x 18	23	17 ¹ / ₄	22	16 ¹ / ₄	DIF-1418	21 ⁵ / ₈	16
DI-1216	12 x 16	21	15	20	14	DIF-1216	—	—
DI-1620	16 x 20	25	19 ¹ / ₄	24	18 ¹ / ₄	DIF-1620	23 ⁵ / ₈	18
DI-1622	16 x 22	27	19 ¹ / ₄	26	18 ¹ / ₄	DIF-1622	25 ⁵ / ₈	18
DI-2020	20 x 20	25	23 ¹ / ₄	24	22 ¹ / ₄	DIF-2020	23 ⁵ / ₈	22

*Sold Separately
Frame racks are 31¹/₆"H

F.O.B. Cheyenne, Wyoming

APW/Wyott reserves the right to modify specifications or discontinue models without incurring obligation.