

100-HSL Series

HOT CARVING SHELVES



100-HSL/TMS



100-HSL/BCS-2S



- HALO HEAT . . . a controlled, uniform heat source radiating heat directly from the carving shelf surface.
- Shelf surface controlled by an adjustable thermostat and ON/OFF switch.
- Single or double, adjustable lamp assembly provides additional heat to the product surface.
- Proper and safe serving temperatures maintained without additional cooking.
- Shelf surface is recessed to catch drippings.
- Sanitary cutting board with gravy lane completely removable. NSF and USDA listed.
- Designed to fit on top of a HALO HEAT Cooking and Holding Oven or Holding Cabinet or suitable for placement on any surface.
- Flexible design and usage choice:
 - Available with or without sneeze guard.
 - Small single or large double lamp shelf.
- Low energy usage.

This heated carving shelf is constructed with 18 gauge non-magnetic stainless steel. Available with one or two heat lamps, this heated shelf base is controlled by one (1) adjustable thermostat with a range of 1 through 10, and includes one (1) ON/OFF switch, and one (1) indicator light. The adjustable 250 watt infrared heat lamps are controlled by one (1) ON/OFF switch. The exterior has a recessed surface to catch drippings. It is available with or without a smoke Plexiglas sneeze guard and is furnished with one (1) set of 1" (25mm) legs and one (1) cutting board.

- MODEL 100-HSL/BCS-2:** Carving shelf with two lamps

- MODEL 100-HSL/BCS-2S:** Carving shelf with two lamps and smoke Plexiglass sneeze guard

- MODEL 100-HSL/TM:** Carving shelf with one lamp

- MODEL 100-HSL/TMS:** Carving shelf with one lamp and smoke Plexiglass sneeze guard

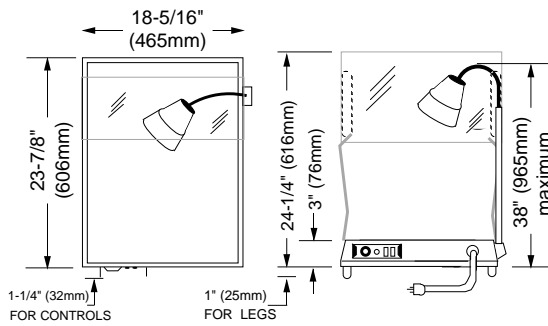


ADDITIONAL FEATURES & OPTIONS

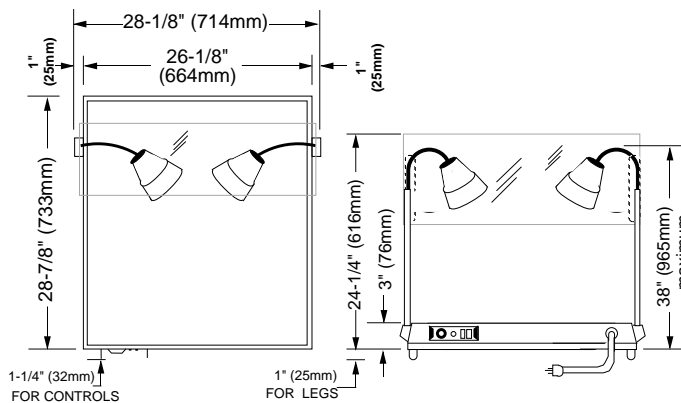
- Carving Holders
- Carving Shelf Platforms
- Cutting Boards

100-HSL Series

HOT CARVING SHELVES



100-HSL/TM
100-HSL/TMS



100-HSL/BCS-2
100-HSL/BCS-2S

DIMENSIONS: H x W x D

TM SERIES • EXTERIOR WITH LEGS:

39" x 18-5/16" x 25-1/8"
(990mm x 465mm x 638mm)

BC SERIES • EXTERIOR WITH LEGS:



39" x 28-1/8" x 30-1/8"
(990mm x 714mm x 765mm)

PRODUCT \ PAN CAPACITY

TM SERIES: 40 lbs (18 kg) MAX.
(SMALL STEAMSHIP ROUND)

BC SERIES: 70 lbs (31.7 kg) MAX.
(LARGE STEAMSHIP ROUND)

ELECTRICAL

	VOLTAGE	PHASE	CYCLE/HZ	AMPS	kW	CORD & PLUG INCLUDED
TM SERIES	125	1	50/60	6.0	.75	 NEMA 5-15P 15A 125V PLUG
BC SERIES	125	1	50/60	8.0	1.0	
TM SERIES	230	1	50/60	3.4	.75	 CEE 7/7 220-233V PLUG
BC SERIES	230	1	50/60	4.5	1.0	

INSTALLATION REQUIREMENTS

Carving shelf must be installed level, and must not be installed in any area where it may be affected by steam, grease, dripping water, high temperatures, or any other severely adverse conditions.

ATTENTION

Warranty does not apply if the shelf is flooded or immersed in water.

WEIGHT

	100-HSL/TM 100-HSL/TMS*	100-HSL/BCS-2 100-HSL/BCS-2S*
NET	25 lb (11 kg) 30 lb (14 kg)*	40 lb (18 kg) 45 lb (20 kg)*
SHIP	40 lb (18 kg) 45 lb (20 kg)*	70 lb (32 kg) 75 lb (34 kg)*
CARTON	26" x 22" x 15"	32" x 30" x 20"
DIMENSIONS:	(660mm x 559mm x 381mm)	(813mm x 762mm x 508 mm) (H x W x D)

OPTIONS & ACCESSORIES

Carving Holders

- Prime Rib HL-2635
- Steamship Round 4459

Cutting Board

- 18" x 12" x 1/2" (457mm x 305mm x 13mm) BA-2358
- 18" x 24" x 1/2" (457mm x 610mm x 13mm) BA-2054

Carving Shelf Platform

- TM SERIES on 500-S holding cabinet 16222
- TM SERIES on 500-TH-II or /III cook/hold oven 16222
- BC SERIES on 750-S holding cabinet 16237
- BC SERIES on 750-TH-II or /III cook/hold oven 16237