



Project:

Item Number:

Quantity:

## CAYENNE® GAS HOT PLATES



40736



40737

Cayenne® Gas Hot Plates

### DESCRIPTION

Vollrath's Cayenne® Gas Hot Plates provide a simple and effective way to prepare food with high efficiency in an economical, safe and easy way. Ideal for use in steak houses, restaurants, coffee shops, clubs and pubs.

### CLEARANCE AND POSITIONING

This appliance must be installed with a minimum clearance of 6" (15.2 cm) between the left, right and back sides, and any combustible surface. The supplied 4" (10.2 cm) legs must be installed and the unit placed on a non-combustible surface

### MODELS

- 40736 HPA1002 12" Gas Hot Plate
- 40737 HPA1004 24" Gas Hot Plate
- 40738 HPA1006 36" Gas Hot Plate

### FEATURES

- Shipped natural gas - includes kit with regulator for field conversion to propane
- Superior burners for fast heating and even heat distribution
- 26,000 BTU per burner
- Stainless and aluminized steel with fully-welded construction for durability and long life
- All metal knobs and knob guards protect gas valves from damage and won't break or crack and are **GUARANTEED FOR LIFE**
- Front access openings for lighting of pilot lights
- Each burner has a separate individual grate for easier handling and cleaning
- Front-back 12" model (40736) offers narrow footprint for tight counter spaces
- Full-width stainless steel drip pan
- Bull-nose design to protect from burns
- Heavy-duty legs with leveling adjustment
- 3/4" NPT gas inlet

**WARRANTY:** All models shown come with Vollrath's standard warranty against defects in materials and workmanship. For full warranty details, please refer to the Vollrath Equipment and Smallwares Catalog.

### Agency Listings



Due to continued product improvement, please consult [www.vollrathco.com](http://www.vollrathco.com) for current product specifications.

Approvals

Date

|  |
|--|
|  |
|--|



Setting the Standard™

[www.vollrathco.com](http://www.vollrathco.com)

The Vollrath Company, L.L.C.  
1236 North 18th Street  
Sheboygan, WI 53081-3201 U.S.A.  
Customer Service: 800.628.0830  
Canada Customer Service: 800.695.8560  
Main Fax: 800.752.5620 or 920.459.6573

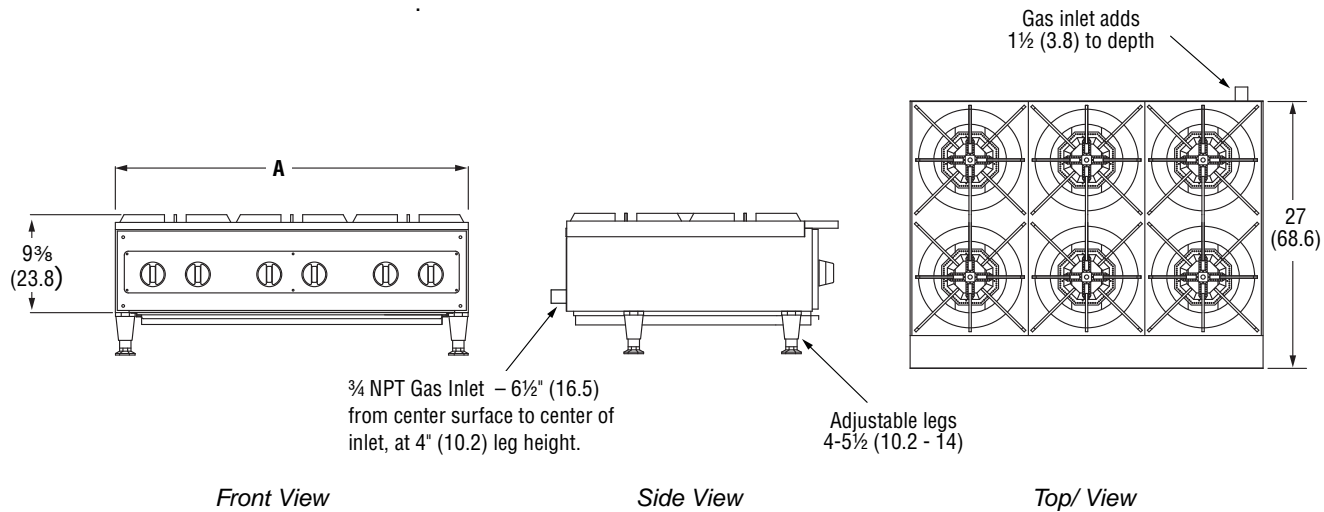
Technical Services: 800.628.0832  
Technical Services Fax: 920.459.5462

# CAYENNE® GAS HOT PLATES

| MODELS | 40736 | HPA1002 | 12" Gas Hot Plate |
|--------|-------|---------|-------------------|
|        | 40737 | HPA1004 | 24" Gas Hot Plate |
|        | 40738 | HPA1006 | 36" Gas Hot Plate |

## DIMENSIONS

Dimensions shown in inches (cm).



## SPECIFICATIONS

| Item  | (A) Width              | Output (BTU) | Number of Burners  | Control Type | Pilot Type | Number of Drip Trays | Ship Weight Lb (Kg) |
|-------|------------------------|--------------|--------------------|--------------|------------|----------------------|---------------------|
| 40736 | 12 (30.5)              | 52,000       | 2 (front and back) | Manual       | Standing   | 1                    | 96 (43.5)           |
| 40737 | $23\frac{5}{8}$ (59.9) | 104,000      | 4                  | Manual       | Standing   | 1                    | 169 (76.7)          |
| 40738 | $35\frac{1}{2}$ (90.2) | 156,000      | 6                  | Manual       | Standing   | 1                    | 228 (103.4)         |



The Vollrath Company, L.L.C.  
 1236 North 18th Street  
 Sheboygan, WI 53081-3201 U.S.A.  
 Customer Service: 800.628.0830  
 Canada Customer Service: 800.695.8560  
 Main Fax: 800.752.5620 or 920.459.6573

Technical Services: 800.628.0832  
 Technical Services Fax: 920.459.5462