

Keyhole Bracket for easier installation and greater stability.



7-PS-22



7-PS-23

WITH SOAP & TOWEL DISPENSERS



7-PS-84



7-PS-83

Item #: _____ Qty #: _____

Model #: _____

Project #: _____

FEATURES:

One piece **Deep Drawn** sink bowl design.

Sink bowl is 9" x 9" x 5".

All sink bowls have a large liberal radii with a minimum dimension of 1" and are square in design.

Keyhole wall mount bracket.

1 1/2" stainless steel drain with strainer plate.

Specific Features:

7-PS-22 and **7-PS-83** 4" O.C. centerset faucet furnished with aerator.

7-PS-23 and **7-PS-84** 4" O.C. splash mounted gooseneck faucet furnished with aerator.

7-PS-83 and **7-PS-84** liquid soap & towel dispenser with hinged towel box. Unit uses standard C-fold towels.

CONSTRUCTION:

All TIG welded.

Welded areas blended to match adjacent surfaces and to a satin finish.

Die formed Countertop Edge with a No-Drip offset.

One sheet of stainless steel is used to minimize seams.

MATERIAL:

Heavy gauge type 304 series stainless steel.

Wall mounting bracket is stainless steel and of offset design.

All fittings are brass / chrome plated unless otherwise indicated.

MECHANICAL:

Faucet supply is 1/2" IPS male thread hot and cold.

**FOR REPLACEMENT FAUCET, DRAINS
AND ACCESSORIES
SEE PAGE A-12**

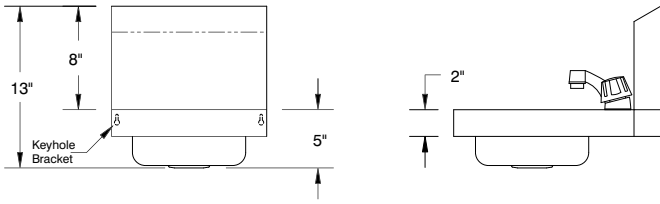
DIMENSIONS and SPECIFICATIONS

TOL Overall: ± .500" Interior: ± .250"

FITTINGS SUPPLIED AS SHOWN

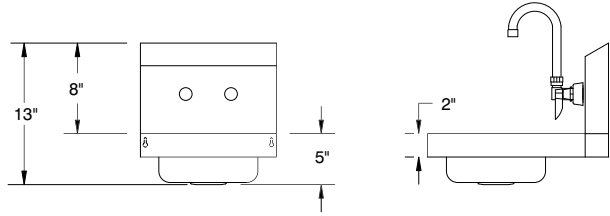
ALL DIMENSIONS ARE TYPICAL

7-PS-22



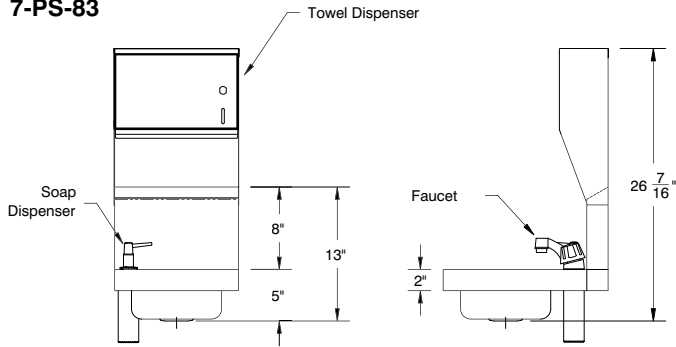
12 lbs.

7-PS-23



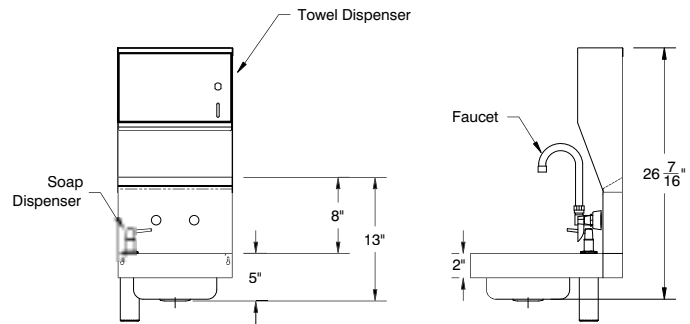
12 lbs.

7-PS-83



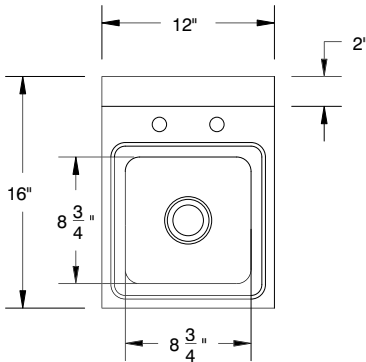
20 lbs.

7-PS-84

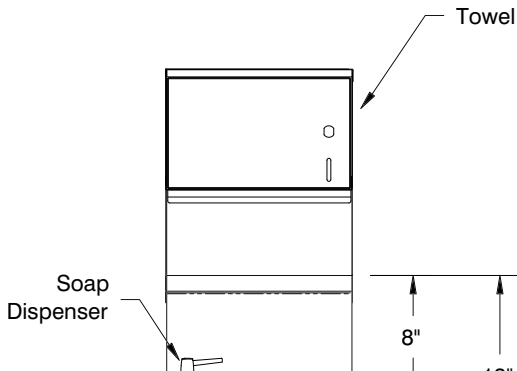


20 lbs.

TOP VIEW FOR 7-PS-23 & 7-PS-23



TOP VIEW FOR 7-PS-83 & 7-PS-84



SUGGESTED PLUMBING

