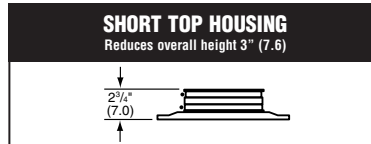
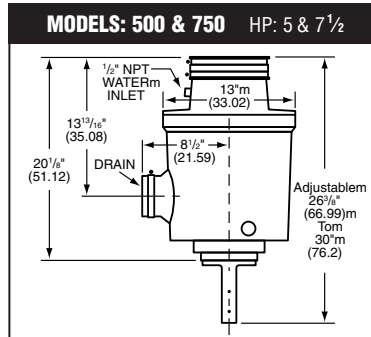
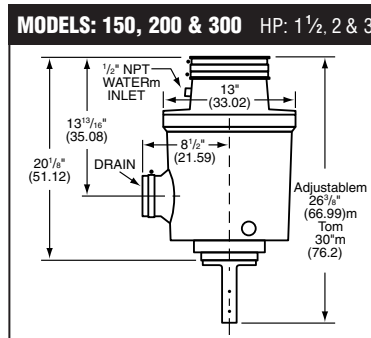
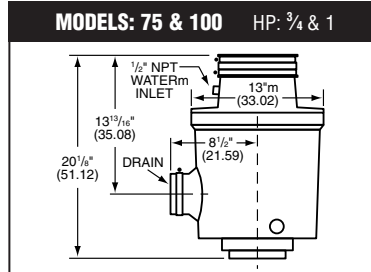
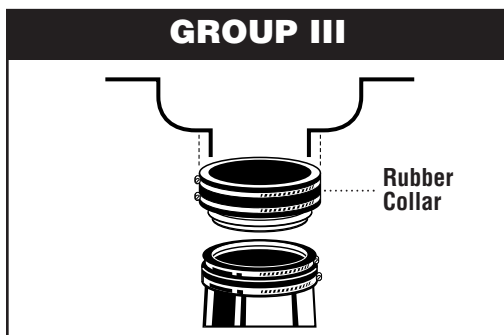
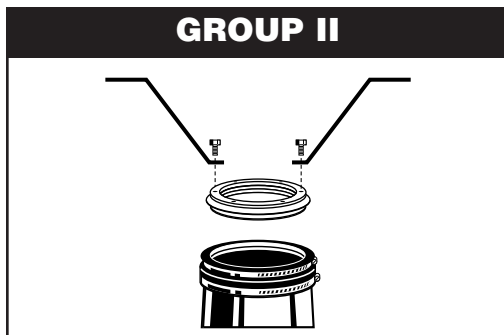
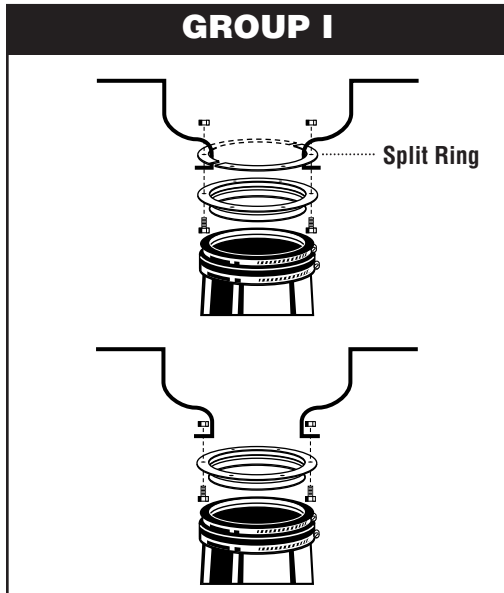


Salvajor Adaptor Installations

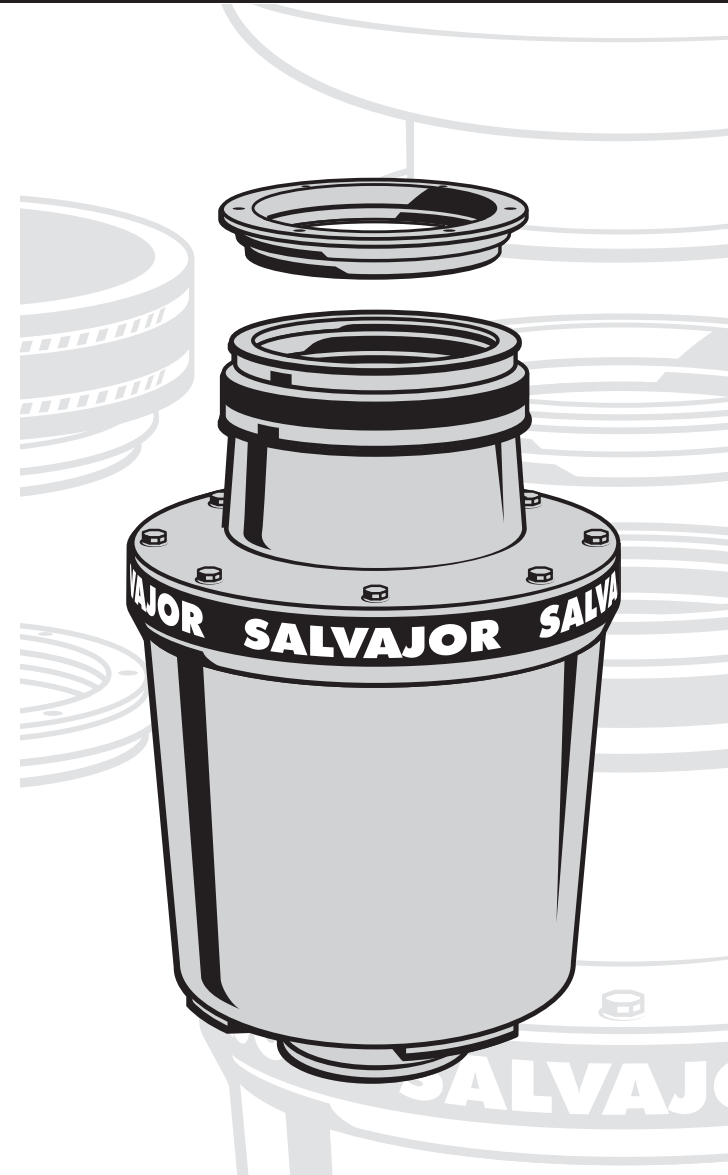
Salvajor Dimensional Data

Salvajor Adaptor Mounting Kits

For replacing any disposer
with a SALVAJOR DISPOSER



NOTE: Dimensions in parenthesis are in centimeters



1-888-SALVAJOR Fax 1-800-832-9373
Email: service@salvajor.com



1-888-SALVAJOR Fax 1-800-832-9373
Email: service@salvajor.com



Adaptor Selection Chart

DIRECTIONS for selecting proper adaptor kit:

1. Find existing cone or sink shape with the **GROUP CHART** shown below.
2. Measure "1, 2, 3, 4, & 5" dimensions from existing cone or sink.
DO NOT TAKE MEASUREMENTS FROM OLD DISPOSER. Existing cone and disposer may be of different manufacture.
3. Select the adaptor kit that corresponds with your measurements.

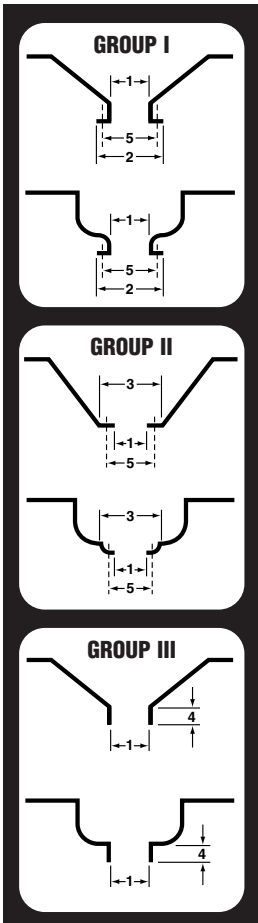
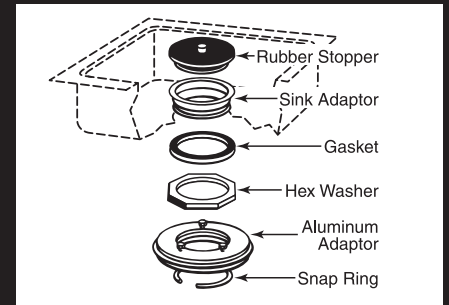
DIMENSIONS REQUIRED:

- A. #1 Throat opening.
- B. #2 Outside diameter of flange.
- C. #3 Diameter of inside bend.
- D. #4 Throat height.
- E. #5 Distance between opposite bolt holes.
- F. Number of bolt holes.
- G. Distance from bottom of cone/sink flange to floor.

If your measurements differ from those shown, Salvajor will fabricate to your needs.

Call Salvajor Technical Support for assistance.
816-363-1030 or TOLL FREE 1-888-SALVAJOR
(725-8256)

NOTE: If existing sink has standard 3½"-4" opening, use #70 sink collar assembly in lieu of adaptor.



	USED BY:	DIMENSIONS FROM EXISTING CONE OR SINK:					No. of Bolt Holes:	Salvajor Adaptor Kit #	SPECIAL INFORMATION:
		#1	#2	#3	#4	#5			
GROUP I	Waste King, ISE, Toledo, National	4 ½"	5 ⅛"					3500	Discard Previous Parts
	Waste King, Red Goat	4 ½"	6 ½"			5 ½"	6	3500	Discard Previous Parts
	FMC	4 ⅝"	5 ⅛"					3500	Discard Previous Parts
	FMC, Avont	5	6 ½"			6	6	3550	Discard Previous Parts
	FMC	5 ¼"	5 ⅛"					3550	Retain FMC Split Ring
	Waste King	6	6 ½"					4530A	Use Cone Mounting Ring
	ISE, Toledo, Bus Boy, Toastmaster	6	7 ¾"					3300	Discard Previous Parts
	Atomic, American Delphi	6	7 ½"			6 ¾"	6	3000	Discard Previous Parts
	ISE	6 ⅝"	7 ⅛"					3900	Discard Previous Parts
	Hobart, Toledo, National	7	7 ¾"					3100	Discard Previous Parts
GROUP II	Hobart, National, Big Genie	7	8 ½"			8 ⅛"	10	5050	Discard Previous Parts
	ISE, Toledo	8	9 ¼"					3400	Drill Holes in Cone Flange to Match Holes in Adaptor
	Hobart	9	12 ⅛"			11 ⅝"	8	3200	Discard Previous Parts
	Hobart	4 ½"		6 ⅞"		5 ½"	6	7250	Retain Full Interior Ring
GROUP III	Hobart	5		5 ⅞"				7250	Retain Full Interior Ring
	Waste King, Bus Boy	5 ⅞"		6 ½"				7250	Retain Full Interior Ring
	Waste King, Bus Boy	5 ⅞"		6 ⅞"				7250	Retain Full Interior Ring
	GE	6		6 ⅞"				7250	Retain Full Interior Ring
	Red Goat	4 ½"			1 ⅞"			4200	Use Leg & Retain Existing Collar
GROUP III	Waste King	6			1 ⅞"			RFR	Use Leg & Retain Existing Collar
	Cannibal	6 ½"			1 ⅞"			STD. Equip.	Use Leg & Retain Existing Collar
	Red Goat	7			1 ⅞"			7550	Use Leg & Retain Existing Collar
	Master, Insinger	8 ¼"			1 ⅞"			8250	Use Leg & Retain Existing Collar