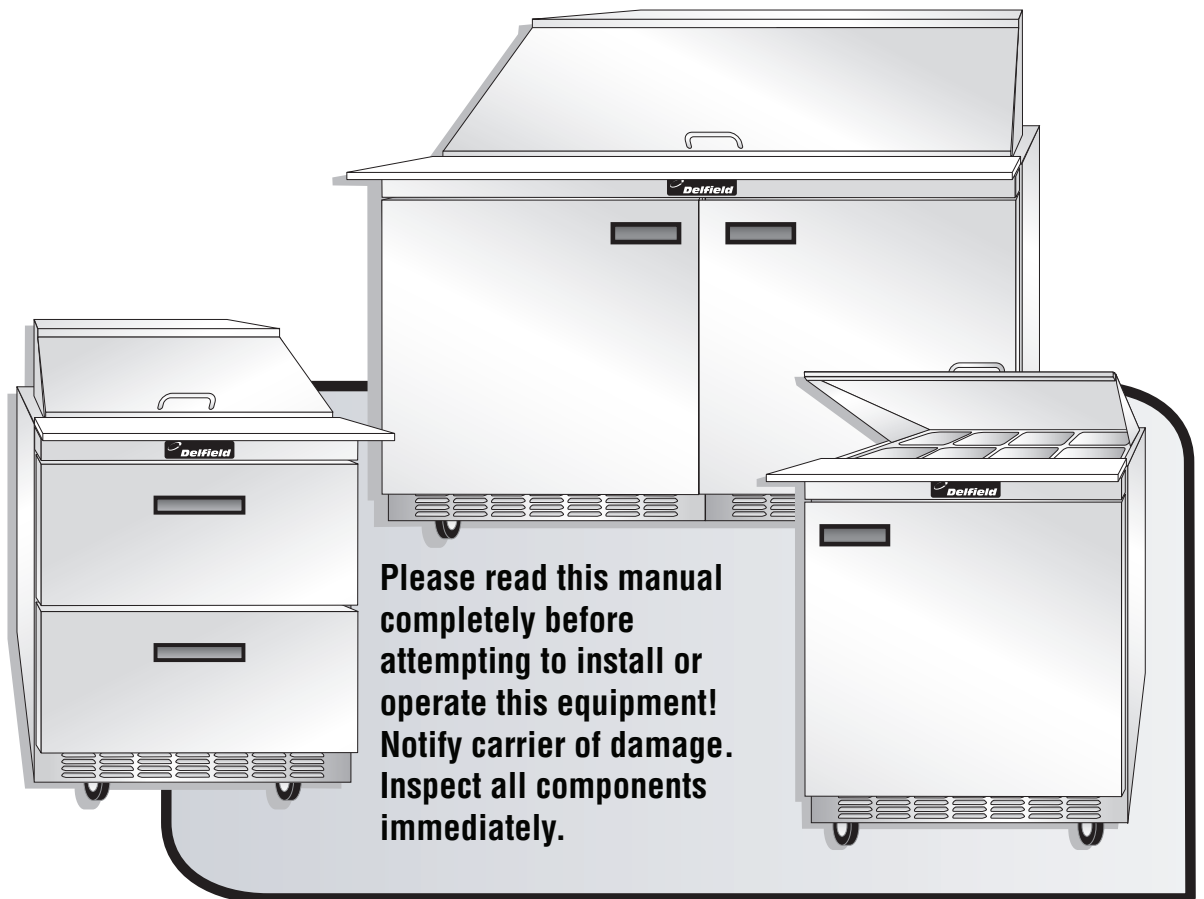




Installation & Operation Manual

4400 Series
Compact Refrigerators
4500 Series
Compact Freezers



**Please read this manual
completely before
attempting to install or
operate this equipment!
Notify carrier of damage.
Inspect all components
immediately.**

Delfield 980 S. Isabella Rd., Mt. Pleasant, MI 48858
(989) 773-7891 or (800) 733-8829 • Fax (989) 773-3210
www.delfield.com

July 2011

Contents

Introduction	2
Receiving And Inspecting The Equipment	2
Specifications	3-8
Installation	9-10
Location	9
Inside Cabinet	9
Outside Cabinet	9
Leveling	9
Stabilizing	9
Plumbing	9
Electrical Connection	9
Cutting Board Bracket Mounting	10
Shelf Installation Instructions	10
2-Position Pan Rails Installation Instructions	10
Operation	11-12
Refrigeration Temperature Control	11
Freezer Temperature Control	12
Maintenance	13-14
Stainless Care And Cleaning	13
Condenser Coil Cleaning	13
Gasket	13
Doors/hinges	14
Drain	14
Drawer Maintenance	14
Wiring Diagram	15-16
Standard Labor Guidelines	17
Limited Lifetime Warranty	18
Standard One Year Warranty	19

Introduction

All cabinets have stainless steel exteriors and ABS interiors. Door gaskets are magnetic and mount to the door, snapping in place and are removable without tools.

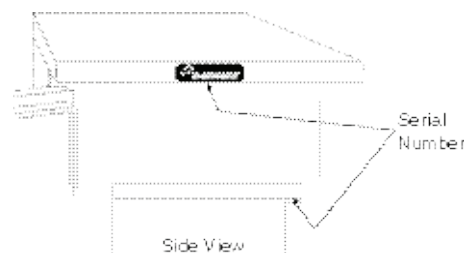
Serial Number Location

The serial tag is located either on the left upper sidewall inside the cabinet or under the top nosing directly above the door when the door is in the closed position (right hand door when there are two doors).

Always have the serial number of your cabinet available when calling for parts or service. A complete list of authorized Delfield parts depots is available on our website at www.delfield.com.

This manual covers standard cabinets only. If you have a custom cabinet, consult the customer service department at (800) 733-8829.

©2011 The Delfield Company. All rights reserved. Reproduction without written permission is prohibited. "Delfield" is a registered trademark of The Delfield Company.



Receiving And Inspecting The Equipment

Even though most equipment is shipped crated, care should be taken during unloading so the equipment is not damaged while being moved into the building.

1. Visually inspect the exterior of the package on a skid or container. Any damage should be noted and reported to the delivering carrier immediately.
2. If damaged, open and inspect the contents with the carrier.
3. In the event that the exterior is not damaged, yet upon opening, there is concealed damage to the equipment notify the carrier. Notification should be made verbally as well as in written form.
4. Request an inspection of the concealed equipment. This should be done within 10 days from receipt of the equipment.
5. Check the lower portion of the unit to be sure legs or casters are not bent.
6. Also open the compressor compartment housing and visually inspect the refrigeration package. Be sure lines are secure and base is still intact.
7. Freight carriers can supply the necessary forms upon request.
8. Retain all crating material until an inspection has been made or waived.
9. Do not use forklift or pallet jack to move this equipment once it is removed from the pallet. Doing so may cause equipment damage and void warranty.

Uncrating the Equipment

First cut and remove the banding from around the crate. Remove the front of the crate material, use of some tools will be required. If the unit is on legs remove the top of the crate as well and lift the unit off the skid. If the unit is on casters it can be "rolled" off the skid.

Specifications

Undercounter Refrigerators

Model	Description	L	D	Work H	Volume FT ³	Shelves FT ²	1/6 Pan Capacity	H.P.	Refr. Charge (oz)	Amp	NEMA Plug	Ship Weight (lbs)
UC4427N	one door	27"	31.5"	34.25"	8.20	3.17	—	1/5	7.0	3.9	5-15P	223
UCD4427N	two drawer	27"	31.5"	34.25"	8.20	—	—	1/5	7.0	3.9	5-15P	245
UC4432N	one door	32"	31.5"	34.25"	10.10	3.88	—	1/5	7.0	3.9	5-15P	245
UCD4432N	two drawer	32"	31.5"	34.25"	10.10	—	—	1/5	7.0	3.9	5-15P	293
UC4448N	two door	48"	31.5"	34.25"	16.00	5.48	—	1/5	7.0	3.9	5-15P	316
UCD4448N	four drawer	48"	31.5"	34.25"	16.00	—	—	1/5	7.0	3.9	5-15P	398
UC4460N	two door	60"	31.5"	34.25"	20.20	7.19	—	1/5	7.0	3.9	5-15P	411
UCD4460N	four drawer	60"	31.5"	34.25"	20.20	—	—	1/5	7.0	3.9	5-15P	495
UC4464N	two door	64"	31.5"	34.25"	21.60	7.76	—	1/5	7.0	3.9	5-15P	421
UCD4464N	four drawer	64"	31.5"	34.25"	21.60	—	—	1/5	7.0	3.9	5-15P	522
UC4472N	three door	72"	31.5"	34.25"	24.80	8.22	—	1/5	7.0	3.9	5-15P	461
UCD4472N	six drawer	72"	31.5"	34.25"	24.80	—	—	1/5	7.0	3.9	5-15P	545

Flat Top & Work Top Refrigerator Bases

Model	Description	L	D	Work H	Volume FT ³	Shelves FT ²	1/6 Pan Capacity	H.P.	Refr. Charge (oz)	Amp	NEMA Plug	Ship Weight (lbs)
4427N	one door	27"	31.5"	36"	8.20	3.17	—	1/5	7.0	3.9	5-15P	223
D4427N	two drawer	27"	31.5"	36"	8.20	—	—	1/5	7.0	3.9	5-15P	245
ST4427N	one door	27"	31.5"	36"	8.20	3.17	—	1/5	7.0	3.9	5-15P	223
STD4427N	two drawer	27"	31.5"	36"	8.20	—	—	1/5	7.0	3.9	5-15P	245
4432N	one door	32"	31.5"	36"	10.10	3.88	—	1/5	7.0	3.9	5-15P	245
D4432N	two drawer	32"	31.5"	36"	10.10	—	—	1/5	7.0	3.9	5-15P	293
ST4432N	one door	32"	31.5"	36"	10.10	3.88	—	1/5	7.0	3.9	5-15P	245
STD4432N	two drawer	32"	31.5"	36"	10.10	—	—	1/5	7.0	3.9	5-15P	293
4448N	two door	48"	31.5"	36"	16.00	5.48	—	1/5	7.0	3.9	5-15P	316
D4448N	four drawer	48"	31.5"	36"	16.00	—	—	1/5	7.0	3.9	5-15P	398
ST4448N	two door	48"	31.5"	36"	16.00	5.48	—	1/5	7.0	3.9	5-15P	316
STD4448N	four drawer	48"	31.5"	36"	16.00	—	—	1/5	7.0	3.9	5-15P	398
4460N	two door	60"	31.5"	36"	20.20	7.19	—	1/5	7.0	3.9	5-15P	411
D4460N	four drawer	60"	31.5"	36"	20.20	—	—	1/5	7.0	3.9	5-15P	495
ST4460N	two door	60"	31.5"	36"	20.20	7.19	—	1/5	7.0	3.9	5-15P	411
STD4460N	four drawer	60"	31.5"	36"	20.20	—	—	1/5	7.0	3.9	5-15P	495
4464N	two door	64"	31.5"	36"	21.60	7.76	—	1/5	7.0	3.9	5-15P	421
D4464N	four drawer	64"	31.5"	36"	21.60	—	—	1/5	7.0	3.9	5-15P	522
ST4464N	two door	64"	31.5"	36"	21.60	7.76	—	1/5	7.0	3.9	5-15P	421
STD4464N	four drawer	64"	31.5"	36"	21.60	—	—	1/5	7.0	3.9	5-15P	522
4472N	three door	72"	31.5"	36"	24.80	8.22	—	1/5	7.0	3.9	5-15P	461
D4472N	six drawer	72"	31.5"	36"	24.80	—	—	1/5	7.0	3.9	5-15P	545
ST4472N	three door	72"	31.5"	36"	24.80	8.22	—	1/5	7.0	3.9	5-15P	461
STD4472N	six drawer	72"	31.5"	36"	24.80	—	—	1/5	7.0	3.9	5-15P	545

ST prefix models have a 4" stainless steel backsplash.

Specifications, continued

Salad Top Refrigerator Bases

<i>Model</i>	<i>Description</i>	<i>L</i>	<i>D</i>	<i>Work H</i>	<i>Volume FT³</i>	<i>Shelves FT²</i>	<i>1/6 Pan Capacity</i>	<i>H.P.</i>	<i>Refr. Charge (oz)</i>	<i>Amp</i>	<i>NEMA Plug</i>	<i>Ship Weight (lbs)</i>
4427N-6	one door	27"	31.5"	36"	8.20	3.17	6	1/5	9	7.2	5-15P	223
D4427N-6	two drawer	27"	31.5"	36"	8.20	—	6	1/5	9	7.2	5-15P	245
4448N-8	two door	48"	31.5"	36"	16.00	5.48	8	1/5	9	7.2	5-15P	316
D4448N-8	four drawer	48"	31.5"	36"	16.00	—	8	1/5	9	7.2	5-15P	398
4448N-12	two door	48"	31.5"	36"	16.00	5.48	12	1/5	9	7.2	5-15P	316
D4448N-12	four drawers	48"	31.5"	36"	16.00	—	12	1/5	9	7.2	5-15P	398
ST4448N-8	two door	48"	31.5"	36"	16.00	5.48	8	1/5	9	7.2	5-15P	316
STD4448N-8	four drawers	48"	31.5"	36"	16.00	—	8	1/5	9	7.2	5-15P	398
4460N-8	two door	60"	31.5"	36"	20.20	7.19	8	1/2	12	12	5-15P	411
D4460N-8	four drawer	60"	31.5"	36"	20.20	—	8	1/2	12	12	5-15P	495
4460N-12	two door	60"	31.5"	36"	20.20	7.19	12	1/2	12	12	5-15P	411
D4460N-12	four drawer	60"	31.5"	36"	20.20	—	12	1/2	12	12	5-15P	495
ST4460N-8	two door	60"	31.5"	36"	20.20	7.19	8	1/2	12	12	5-15P	411
STD4460N-8	four drawer	60"	31.5"	36"	20.20	—	8	1/2	12	12	5-15P	495
4464N-8	two door	64"	31.5"	36"	21.60	7.76	8	1/2	12	12	5-15P	421
D4464N-8	four drawer	64"	31.5"	36"	21.60	—	8	1/2	12	12	5-15P	522
4464N-12	two door	64"	31.5"	36"	21.60	7.76	12	1/2	12	12	5-15P	421
D4464N-12	four drawer	64"	31.5"	36"	21.60	—	12	1/2	12	12	5-15P	522
4464N-16	two door	64"	31.5"	36"	21.60	7.76	16	1/2	12	12	5-15P	421
D4464N-16	four drawer	64"	31.5"	36"	21.60	—	16	1/2	12	12	5-15P	522
ST4464N-8	two door	64"	31.5"	36"	21.60	7.76	8	1/2	12	12	5-15P	421
STD4464N-8	four drawer	64"	31.5"	36"	21.60	—	8	1/2	12	12	5-15P	522
ST4464N-12	two door	64"	31.5"	36"	21.60	7.76	12	1/2	12	12	5-15P	421
STD4464N-12	four drawer	64"	31.5"	36"	21.60	—	12	1/2	12	12	5-15P	522
4472N-12	three door	72"	31.5"	36"	24.80	8.22	12	1/2	12	12	5-15P	461
D4472N-12	six drawer	72"	31.5"	36"	24.80	—	12	1/2	12	12	5-15P	545
4472N-18	three door	72"	31.5"	36"	24.80	8.22	18	1/2	12	12	5-15P	461
D4472N-18	six drawer	72"	31.5"	36"	24.80	—	18	1/2	12	12	5-15P	545
ST4472N-12	three door	72"	31.5"	36"	24.80	8.22	12	1/2	12	12	5-15P	461
STD4472N-12	six drawer	72"	31.5"	36"	24.80	—	12	1/2	12	12	5-15P	545

ST prefix models have a 4" stainless steel backsplash.

Specifications, continued

Mega Top Refrigerated Front Breathers

<i>Model</i>	<i>Description</i>	<i>L</i>	<i>D</i>	<i>Work H</i>	<i>Volume</i> <i>FT³</i>	<i>Shelves</i> <i>FT²</i>	<i>1/6 Pan</i> <i>Capacity</i>	<i>H.P.</i>	<i>Refr. Charge</i> <i>(oz)</i>	<i>Amp</i>	<i>NEMA</i> <i>Plug</i>	<i>Ship Weight</i> <i>(lbs)</i>
4427N-9M	one door	27"	31.5"	36"	8.20	3.17	9	1/5	9	7.2	5-15P	223
D4427N-9M	two drawer	27"	31.5"	36"	8.20	—	9	1/5	9	7.2	5-15P	245
4427N-12M	one door	27"	31.5"	36"	8.20	3.17	12	1/5	9	7.2	5-15P	223
D4427N-12M	two drawer	27"	31.5"	36"	8.20	—	12	1/5	9	7.2	5-15P	245
ST4427N-12M	one door	27"	31.5"	36"	8.20	3.17	12	1/5	9	7.2	5-15P	223
STD4427N-12M	two drawer	27"	31.5"	36"	8.20	—	12	1/5	9	7.2	5-15P	245
4432N-12M	one door	32"	31.5"	36"	10.10	3.88	12	1/5	9	7.2	5-15P	245
D4432N-12M	two drawer	32"	31.5"	36"	10.10	—	12	1/5	9	7.2	5-15P	293
4448N-18M	two door	48"	31.5"	36"	16.00	5.48	18	1/5	9	7.2	5-15P	316
D4448N-18M	four drawer	48"	31.5"	36"	16.00	—	18	1/5	9	7.2	5-15P	398
4460N-12M	two door	60"	31.5"	36"	20.20	7.19	12	1/2	12	12	5-15P	411
D4460N-12M	four drawer	60"	31.5"	36"	20.20	—	12	1/2	12	12	5-15P	495
4460N-18M	two door	60"	31.5"	36"	20.20	7.19	18	1/2	12	12	5-15P	411
D4460N-18M	four drawer	60"	31.5"	36"	20.20	—	18	1/2	12	12	5-15P	495
4460N-24M	two door	60"	31.5"	36"	20.20	7.19	24	1/2	12	12	5-15P	411
D4460N-24M	four drawer	60"	31.5"	36"	20.20	—	24	1/2	12	12	5-15P	495
ST4460N-12M	two door	60"	31.5"	36"	20.20	7.19	12	1/2	12	12	5-15P	411
STD4460N-12M	four drawer	60"	31.5"	36"	20.20	—	12	1/2	12	12	5-15P	495
ST4460N-18M	two door	60"	31.5"	36"	20.20	7.19	18	1/2	12	12	5-15P	411
STD4460N-18M	four drawer	60"	31.5"	36"	20.20	—	18	1/2	12	12	5-15P	495
4464N-12M	two door	64"	31.5"	36"	21.60	7.76	12	1/2	12	12	5-15P	421
D4464N-12M	four drawer	64"	31.5"	36"	21.60	—	12	1/2	12	12	5-15P	522
4464N-18M	two door	64"	31.5"	36"	21.60	7.76	18	1/2	12	12	5-15P	421
D4464N-18M	four drawer	64"	31.5"	36"	21.60	—	18	1/2	12	12	5-15P	522
4464N-24M	two door	64"	31.5"	36"	21.60	7.76	24	1/2	12	12	5-15P	421
D4464N-24M	four drawer	64"	31.5"	36"	21.60	—	24	1/2	12	12	5-15P	522
ST4464N-12M	two door	64"	31.5"	36"	21.60	7.76	12	1/2	12	12	5-15P	421
STD4464N-12M	four drawer	64"	31.5"	36"	21.60	—	12	1/2	12	12	5-15P	522
ST4464N-18M	two door	64"	31.5"	36"	21.60	7.76	18	1/2	12	12	5-15P	421
STD4464N-18M	four drawer	64"	31.5"	36"	21.60	—	18	1/2	12	12	5-15P	522
4472N-18M	three door	72"	31.5"	36"	24.80	8.22	18	1/2	12	12	5-15P	461
D4472N-18M	six drawer	72"	31.5"	36"	24.80	—	18	1/2	12	12	5-15P	545
4472N-24M	three door	72"	31.5"	36"	24.80	8.22	24	1/2	12	12	5-15P	461
D4472N-24M	six drawer	72"	31.5"	36"	24.80	—	24	1/2	12	12	5-15P	545
4472N-30M	three door	72"	31.5"	36"	24.80	8.22	30	1/2	12	12	5-15P	461
D4472N-30M	six drawer	72"	31.5"	36"	24.80	—	30	1/2	12	12	5-15P	545
ST4472N-18M	three door	72"	31.5"	36"	24.80	8.22	18	1/2	12	12	5-15P	461
STD4472N-18M	six drawer	72"	31.5"	36"	24.80	—	18	1/2	12	12	5-15P	545
ST4472N-24M	three door	72"	31.5"	36"	24.80	8.22	24	1/2	12	12	5-15P	461
STD4472N-24M	six drawer	72"	31.5"	36"	24.80	—	24	1/2	12	12	5-15P	545

ST prefix models have a 4" stainless steel backsplash.

Specifications, continued

Reduced Work Height Salad Top Refrigerated Front Breathers

<i>Model</i>	<i>Description</i>	<i>L</i>	<i>D</i>	<i>Work H</i>	<i>Volume</i> <i>FT³</i>	<i>Shelves</i> <i>FT²</i>	<i>1/6 Pan</i> <i>Capacity</i>	<i>H.P.</i>	<i>Refr. Charge</i> <i>(oz)</i>	<i>Amp</i>	<i>NEMA</i> <i>Plug</i>	<i>Ship Weight</i> <i>(lbs)</i>
UC4427N-6	one door	27"	31.5"	34.25"	8.20	3.17	6	1/5	9	7.2	5-15P	223
UCD4427N-6	two drawer	27"	31.5"	34.25"	8.20	—	6	1/5	9	7.2	5-15P	245
UC4448N-8	two door	48"	31.5"	34.25"	16.00	5.48	8	1/5	9	7.2	5-15P	316
UCD4448N-8	four drawer	48"	31.5"	34.25"	16.00	—	8	1/5	9	7.2	5-15P	398
UC4448N-12	two door	48"	31.5"	34.25"	16.00	5.48	12	1/5	9	7.2	5-15P	316
UCD4448N-12	four drawer	48"	31.5"	34.25"	16.00	—	12	1/5	9	7.2	5-15P	398
UC4460N-8	two door	60"	31.5"	34.25"	20.20	7.19	8	1/2	12	12	5-15P	411
UCD4460N-8	four drawer	60"	31.5"	34.25"	20.20	—	8	1/2	12	12	5-15P	495
UC4460N-12	two door	60"	31.5"	34.25"	20.20	7.19	12	1/2	12	12	5-15P	411
UCD4460N-12	four drawer	60"	31.5"	34.25"	20.20	—	12	1/2	12	12	5-15P	495
UC4464N-8	two door	64"	31.5"	34.25"	21.60	7.76	8	1/2	12	12	5-15P	421
UCD4464N-8	four drawer	64"	31.5"	34.25"	21.60	—	8	1/2	12	12	5-15P	522
UC4464N-12	two door	64"	31.5"	34.25"	21.60	7.76	12	1/2	12	12	5-15P	421
UCD4464N-12	four drawer	64"	31.5"	34.25"	21.60	—	12	1/2	12	12	5-15P	522
UC4464N-16	two door	64"	31.5"	34.25"	21.60	7.76	16	1/2	12	12	5-15P	421
UCD4464N-16	four drawer	64"	31.5"	34.25"	21.60	—	16	1/2	12	12	5-15P	522
UC4472N-12	three door	72"	31.5"	34.25"	24.80	8.22	12	1/2	12	12	5-15P	461
UCD4472N-12	six drawer	72"	31.5"	34.25"	24.80	—	12	1/2	12	12	5-15P	545
UC4472N-18	three door	72"	31.5"	34.25"	24.80	8.22	18	1/2	12	12	5-15P	461
UCD4472N-18	six drawer	72"	31.5"	34.25"	24.80	—	18	1/2	12	12	5-15P	545

Specifications, continued

Reduced Work Height Mega Top Refrigerated Front Breathers

<i>Model</i>	<i>Description</i>	<i>L</i>	<i>D</i>	<i>Work H</i>	<i>Volume</i> <i>FT³</i>	<i>Shelves</i> <i>FT²</i>	<i>1/6 Pan</i> <i>Capacity</i>	<i>H.P.</i>	<i>Refr. Charge</i> <i>(oz)</i>	<i>Amp</i>	<i>NEMA</i> <i>Plug</i>	<i>Ship Weight</i> <i>(lbs)</i>
UC4427N-9M	one door	27"	31.5"	34.25"	8.20	3.17	9	1/5	9	7.2	5-15P	223
UCD4427N-9M	two drawer	27"	31.5"	34.25"	8.20	—	9	1/5	9	7.2	5-15P	245
UC4427N-12M	one door	27"	31.5"	34.25"	8.20	3.17	12	1/5	9	7.2	5-15P	223
UCD4427N-12M	two drawer	27"	31.5"	34.25"	8.20	—	12	1/5	9	7.2	5-15P	245
UC4432N-12M	one door	32"	31.5"	34.25"	10.10	3.88	12	1/5	9	7.2	5-15P	245
UCD4432N-12M	two drawer	32"	31.5"	34.25"	10.10	—	12	1/5	9	7.2	5-15P	293
UC4448N-18M	two door	48"	31.5"	34.25"	16.00	5.48	18	1/5	9	7.2	5-15P	316
UCD4448N-18M	four drawer	48"	31.5"	34.25"	16.00	—	18	1/5	9	7.2	5-15P	398
UC4460N-12M	two door	60"	31.5"	34.25"	20.20	7.19	12	1/2	12	12	5-15P	411
UCD4460N-12M	four drawer	60"	31.5"	34.25"	20.20	—	12	1/2	12	12	5-15P	495
UC4460N-18M	two door	60"	31.5"	34.25"	20.20	7.19	18	1/2	12	12	5-15P	411
UCD4460N-18M	four drawer	60"	31.5"	34.25"	20.20	—	18	1/2	12	12	5-15P	495
UC4460N-24M	two door	60"	31.5"	34.25"	20.20	7.19	24	1/2	12	12	5-15P	411
UCD4460N-24M	four drawer	60"	31.5"	34.25"	20.20	—	24	1/2	12	12	5-15P	495
UC4464N-12M	two door	64"	31.5"	34.25"	21.60	7.76	12	1/2	12	12	5-15P	421
UCD4464N-12M	four drawer	64"	31.5"	34.25"	21.60	—	12	1/2	12	12	5-15P	522
UC4464N-18M	two door	64"	31.5"	34.25"	21.60	7.76	18	1/2	12	12	5-15P	421
UCD4464N-18M	four drawer	64"	31.5"	34.25"	21.60	—	18	1/2	12	12	5-15P	522
UC4464N-24M	two door	64"	31.5"	34.25"	21.60	7.76	24	1/2	12	12	5-15P	421
UCD4464N-24M	four drawer	64"	31.5"	34.25"	21.60	—	24	1/2	12	12	5-15P	522
UC4472N-18M	three door	72"	31.5"	34.25"	24.80	8.22	18	1/2	12	12	5-15P	461
UCD4472N-18M	six drawer	72"	31.5"	34.25"	24.80	—	18	1/2	12	12	5-15P	545
UC4472N-24M	three door	72"	31.5"	34.25"	24.80	8.22	24	1/2	12	12	5-15P	461
UCD4472N-24M	six drawer	72"	31.5"	34.25"	24.80	—	24	1/2	12	12	5-15P	545
UC4472N-30M	three door	72"	31.5"	34.25"	24.80	8.22	30	1/2	12	12	5-15P	461
UCD4472N-30M	six drawer	72"	31.5"	34.25"	24.80	—	30	1/2	12	12	5-15P	545

Specifications, continued

Freezers

Flat top freezer bases

<i>Model</i>	<i>Description</i>	<i>L</i>	<i>D</i>	<i>Work H</i>	<i>Volume Ft.³</i>	<i>Shelves Ft.²</i>	<i>H.P.</i>	<i>Refr. Charge (oz)</i>	<i>Amp</i>	<i>NEMA Plug</i>	<i>Ship Weight</i>
4532N	one door	32" (81.3cm)	31.5" (80.0cm)	36" (91.4cm)	8.80	3.88	1/5	9.0	9.5	5-15P	245lbs (111kg)
D4532N	two drawer	32" (81.3cm)	31.5" (80.0cm)	36" (91.4cm)	8.80	—	1/3	9.0	9.5	5-15P	293lbs (133kg)
ST4532N	one door	32" (81.3cm)	31.5" (80.0cm)	36" (91.4cm)	8.80	3.88	1/5	9.0	9.5	5-15P	245lbs (111kg)
STD4532N	two drawer	32" (81.3cm)	31.5" (80.0cm)	36" (91.4cm)	8.80	—	1/3	9.0	9.5	5-15P	293lbs (133kg)
4560N	two door	60" (152.4cm)	31.5" (80.0cm)	36" (91.4cm)	16.90	7.19	1/3	14.0	12.0	5-15P	411lbs (186kg)
ST4560N	two door	60" (152.4cm)	31.5" (80.0cm)	36" (91.4cm)	16.90	7.19	1/3	14.0	12.0	5-15P	411lbs (186kg)

ST prefix models have a 4" stainless steel backsplash.

Undercounter freezers

<i>Model</i>	<i>Description</i>	<i>L</i>	<i>D</i>	<i>Work H</i>	<i>Volume Ft.³</i>	<i>Shelves Ft.²</i>	<i>H.P.</i>	<i>Refr. Charge</i>	<i>Amp</i>	<i>NEMA Plug</i>	<i>Ship Weight</i>
UC4532N	one door	32" (81.3cm)	31.5" (80.0cm)	34.25" (87.0cm)	8.80	3.88	1/5	9.0	9.5	5-15P	245lbs (111kg)
UCD4532N	two drawer	32" (81.3cm)	31.5" (80.0cm)	34.25" (87.0cm)	8.80	—	1/3	9.0	9.5	5-15P	293lbs (133kg)
UC4560N	two door	60" (152.4cm)	31.5" (80.0cm)	34.25" (87.0cm)	16.90	7.19	1/3	14.0	12.0	5-15P	411lbs (186kg)

Installation

Location

Cabinets represented in this manual are intended for indoor use only. Be sure the location chosen has a floor strong enough to support the total weight of the cabinet and contents. Reinforce the floor as necessary to provide for maximum loading.

The location should be selected so that power cords can be connected without any extensions.

For the most efficient operation, be sure to provide good air circulation inside and outside the cabinet. Avoid hot corners and locations near stoves and ovens.

Inside Cabinet

Do not pack refrigerator so full that air cannot circulate.

Outside Cabinet

4400 Series equipment door and drawer models

These cabinets have Delfield's "front-breathing" design. They may be installed flush against a wall or built into a counter as required.

The louver at the floor level must be kept completely clear of any obstructions. Proper operation of these models is dependent on air being able to flow freely through the front louver. The louver at the back of the cabinet is not necessary for proper operation, but any air flow through it is beneficial.



Any restriction of the proper air flow outlined above, total or partial, will void the warranty on the cabinet.

Leveling

A level cabinet will perform better because the drain pan will drain properly, the drawers or doors will line up with the frames and the cabinet will not be subject to undue strain.



Never stand on the unit or its drawers! Doing so may result in bodily injury. They are not designed to hold the weight of a person and will collapse if misused in this manner.

Stabilizing

All models are supplied standard on casters for your convenience, for ease of cleaning underneath and for mobility.



The cabinet must be installed in a stable condition with the front wheels locked. Locking the front casters after installation is the owner's and operator's responsibility.

Plumbing

Self-contained models are standard with a condensate evaporator. If, for some reason, a cabinet does not have a condensate evaporator, or the evaporator fails, the cabinets drain must have an outlet to an appropriate drainage area or container.



Moisture collecting from improper drainage can create a slippery surface on the floor and a hazard to employees. It is the owner's responsibility to provide a container or outlet for drainage.

Electrical Connection

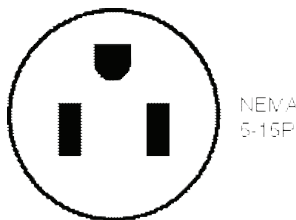
A 6' (1.8 m) long grounded supply cord and three-pronged plug are provided with standard cabinets. Simply plug into a three-pronged wall outlet for proper grounding of the cabinet to begin operation. Do not use an adapter to connect to a two-pronged outlet. The three-pronged outlet provides a ground connection which must be used to prevent a shock hazard.



The wall outlet must be checked by a qualified electrician to be sure a proper ground is present and that the outlet provides the correct voltage and required amperage to match the rating plate.

Any power cord that is frayed or damaged should be replaced. When disconnecting the cabinet from the power source, do not pull on the cord. Firmly grip the plug and remove from outlet.

The 15-P plug shown below is used on the various 4400 Series models.



Refer to the amperage data list in SPECIFICATIONS, the serial tag, your local code or the National Electrical Code to be sure the cabinet is connected to the proper power source. A protected circuit of the correct voltage and amperage must be run for connection of the line cord, or permanent connection to the cabinet.



The thermostat must be turned to OFF and the cabinet disconnected from the power source whenever performing service, maintenance functions or cleaning the refrigerated area.

Installation, continued

Cutting Board Bracket Mounting

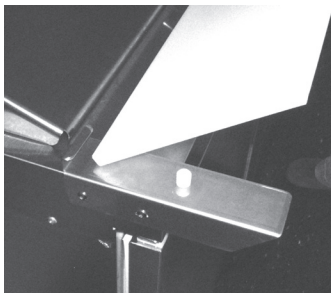
1. Gather brackets, cutting board and screwdriver.
2. Open the door to install the center bracket.
3. Remove four screws from the nosing.
4. Place the bracket and secure with the four removed screws.



5. Remove two screws from one end.
6. Place the bracket and secure with the two removed screws.



7. Repeat at the other end.
8. Insert the cutting board into the brackets, back first. Lay it down with the holes over the alignment pins.



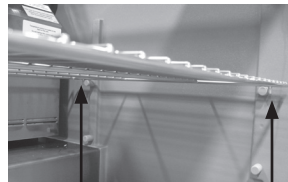
Shelf Installation Instructions

1. Notice the shelves have four alignment pins on the underside and a backstop on the top back.
2. Insert the shelves into the cabinet.

- The backstop should be at the top back.



- The alignment pins should be in front and back of the shelf supports.

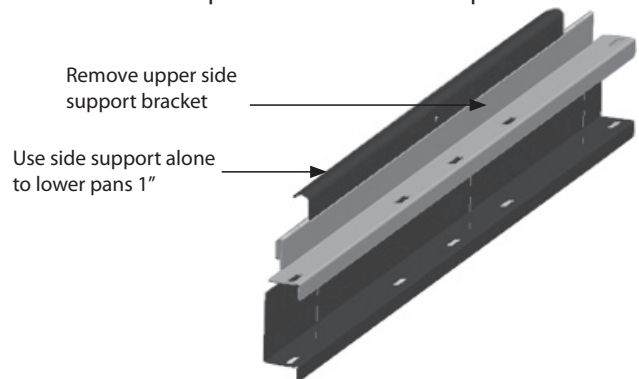


Changing Pan Height

If additional pan temperature cooling ability is desired, especially in higher ambient temperature conditions and/or if pan covers are open or off for extended time periods improved cooling of pans can usually be achieved by utilizing the lower position of the dual level pan guides.

When utilizing the lower position on a model with drawers, only 4" deep pans can be used in the top. When utilizing the lower position on a door model, 4" or 6" deep pans may be used.

1. Remove all pans, pan dividers, front and rear support bars.
2. Remove the upper side support brackets by pulling them up and off as shown below.
3. Reinstall all components removed in step one.



If the lower pan position is desired for model 4427N-12M, model specific brackets must be ordered. They will hold pans at the lower position and replace all other brackets.

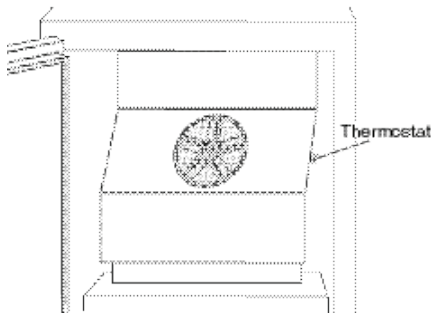
Refrigerated Cabinet Operation

After the cabinet is connected to the power source it will automatically begin operating. With the covers and doors closed, the temperature of the cabinet should reach 36°F to 40°F (2°C to 4°C) in about one hour. Temperature on salad top will maintain 33°F to 41°F (1°C to 4°C) with pans recessed 2.5" (6.5cm) at 86°F ambient room temperature for a period of four hours, meeting NSF-7 requirements. The temperature control on a flat top unit other than 4427 models is located on the back panel inside the refrigerator and can be adjusted to meet the current conditions. The temperature control on 4427 flat top and all salad top units is located in the rear of the unit, 14" to 16" above floor in access hole.

Refrigerated cabinets with two evaporators have counter-rotating fans to ensure even airflow throughout the cabinet. The left evaporator has a CCW motor and a clear fan blade and right evaporator has a CW motor and a black fan blade.

Temperature Control Instruction for Flat Top Units except 4427 Models

A thermostat located in the evaporator housing on the interior rear of the cabinet controls the temperature inside the box. The factory setting for the control is "4" and maintains about 38°F (3°C) inside the box. Set toward "1" for higher temperatures and set to a higher number for lower temperatures.



Flat Top Units except 4427 Models

Temperature Control Instruction for Salad Top Units and 4427 Flat Top Models

A thermostat located in rear of cabinet controls the temperature inside the box. The factory setting for the control is 4.5 and maintains about 34°F(1°C) to 36°F (2°C) inside the box. Set toward 1 for higher temperatures and set to a higher number for lower temperatures.

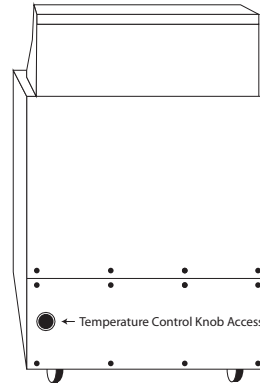
Important Information on 4427 Solid Top Models:

The unit is Energy Star Version II compliant. During normal operation the evaporator fan pulses independently of the compressor as dictated by the Danfoss Controller as follows:

1. During the cooling mode, compressor and evaporator fan run simultaneously.
2. During the compressor off mode, evaporator fan pulses

three minutes on and three minutes off.

3. During an actual defrost event other than the off-cycle defrost, compressor stays off but the evaporator fan runs continuously.



Salad Top Units and 4427 Flat Top Models



Cabinets with pans should be operated with pans in place. Operating the cabinet without all pans in place will lessen efficiency and may damage the cabinet.

Continuous opening and closing of the door will hamper the cabinet's ability to maintain optimum refrigeration temperature.

Top section is not intended for overnight storage. Product should be removed from pans. Pans can remain in cabinet while empty.

Defrosting

Refrigerators defrost automatically with every cycle of the compressor. The water generated is routed to a pan on the rear of the cabinet and is evaporated by the heat given off by the compressor.

Service Alert

During normal operation the evaporator fan may cycle and/or pulse independently of the compressor. Consult the service manual or contact Technical Support at 1-800-733-8829 if you are unsure of the proper function.

	Cooling Cycle				Defrost Cycle	
	Compressor On		Compressor Off		Compressor Off	
	Evap Fan On	Evap Fan Off	Evap Fan On	Evap Fan Off	Evap Fan On	Evap Fan Off
4400 Open Top	X		X		X	
4400 Solid Top	X		X		X	
4427 Solid Top	X		Cycles On 3-Min, Off 3-Min		X	

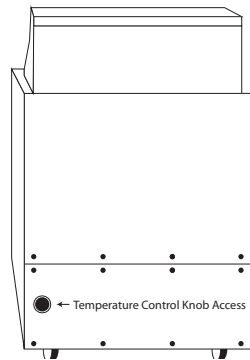
Freezer Cabinet Operation

The electronic temperature control constantly monitors box temperature as well as evaporator coil temperature to maintain consistent product temperatures.

At initial start-up or anytime power is disconnected, then reconnected to the unit, the control will delay all operations for a short time (up to 10 minutes.) While in this delay period, the control initializes the control parameters and confirms that the temperature sensors and circuits are operational.



REGARDING FREEZERS: After initializing, the control will immediately enter a DEFROST mode. The compressor and condenser fan as well as the evaporator fan will remain off until initialization defrost is complete. This initial defrost cycle may take up to 15 minutes to complete, at which time the freezing cycle will begin.



Freezers

The control is located in the rear of the cabinet. Freezers are factory set at mid-range to maintain about -3°F (-19°C) box temperature. To adjust for colder temperatures, turn the knob clockwise. For warmer temperatures, turn the knob counter-clockwise. Turn the knob fully counter-clockwise to turn the refrigeration system off. Never turn the knob more than 1 dial number and always allow 8 hours for temperature stabilization before making any additional adjustments.

Freezer cabinets with two evaporators have counter-rotating fans to ensure even airflow throughout the cabinet. The left evaporator has a CCW motor and a clear fan blade and the right evaporator has a CW motor and a black fan blade.

The evaporator fan(s) and condenser fan will cycle off and on with the compressor to conserve energy.

Freezer:

Whenever the freezer is plugged in, and the control has completed initializing including the initial defrost cycle. The temperature control will cycle the compressor and condenser fan motor and evaporator fan motor to maintain box temperature at the control setting.

Freezer Automatic Defrost

The control also monitors compressor total running time and will enter a defrost cycle after total compressor running time is greater than 4-hours since the last defrost cycle OR if evaporator coil temperature drops below -34°F (-37°C) (indicating excessive frost on the coil.)

When the control enters the defrost mode, it switches off the evaporator fan motor, compressor and condenser fan motor, and switches on the defrost heater to warm the evaporator coil. Thereby melting all frost accumulated during the previous refrigeration cycle. The control will continue the defrost cycle for a MINIMUM of 8 minutes and a MAXIMUM of 30 minutes depending on the amount of frost accumulated on the evaporator coil.

After the defrost cycle is complete, the control returns to a normal refrigeration cycle, however the evaporator fan motor will not switch on for 2 minutes AFTER the compressor and condenser fan motor have begun operating.

Freezer Manual Defrost

If a manual defrost is desired, simply unplug the unit for several seconds, then plug unit back in. This will cause the control to re-initialize and then enter a defrost cycle.

Service Alert

During normal operation the evaporator fan may cycle and/or pulse independently of the compressor. Consult the service manual or contact Technical Support at 1-800-733-8829 if you are unsure of the proper function.

	Cooling Cycle				Defrost Cycle	
	Compressor On		Compressor Off		Compressor Off	
	Evap Fan On	Evap Fan Off	Evap Fan On	Evap Fan Off	Evap Fan On	Evap Fan Off
4500 Freezer	X			X		X

Maintenance



The thermostat must be turned to OFF and the cabinet disconnected from the power source whenever performing service, maintenance functions or cleaning the refrigerated area.

Stainless Steel Care And Cleaning

To prevent discoloration or rust on stainless steel several important steps need to be taken. First, the properties of stainless steel need to be understood. Stainless steel contains 70-80% iron which will rust. It also contains 12-30% chromium which forms an invisible passive film over the steel's surface which acts as a shield against corrosion. As long as the protective layer is intact, the metal will not corrode and is still stainless. If the film is broken or contaminated, outside elements can begin to breakdown the steel and begin to form rust or other discoloration.



NEVER USE STEEL PADS, WIRE BRUSHES OR SCRAPERS!

Do not use an abrasive cleaner because it will scratch the stainless steel and plastic and can damage gaskets. Proper cleaning of stainless steel requires soft cloths or plastic scouring pads.

Cleaning solutions need to be alkaline based or non-chloride cleaners. Any cleaner containing chlorides will damage the protective film of the stainless steel. Chlorides are also commonly found in hard water, salts and household and industrial cleaners. If cleaners containing chlorides are used, be sure to rinse repeatedly and dry thoroughly upon completion.

Routine cleaning of the interior and exterior can be done with soap and warm water. Extreme stains or grease should be cleaned with a non-abrasive cleaner and plastic scrub pad. When cleaning the exterior, always rub with the grain of the stainless steel to avoid marring the finish. There are also stainless steel cleaners available which can restore and preserve the finish of the steel's protective layer.

Early signs of stainless steel breakdown can consist of small pits and cracks. If this has begun, clean thoroughly and start to apply stainless steel cleaners in an attempt to restore the passivity of the steel.



Never use an acid based cleaning solution! Many food products have an acidic content which can deteriorate the finish. Be sure to clean ALL food products from any stainless steel surface. Common items include, tomatoes, peppers and other vegetables.

CLEANING THE CONDENSER COIL

The condenser coil requires regular cleaning every 90 days (recommended). In some instances you may find a large amount of debris and dust or grease accumulated prior to the 90 day time frame. In these cases the condenser coil should be cleaned every 30 days.

If the build up on the coil consists of only light dust and debris the condenser coil can be cleaned with a simple brush. Heavier dust build up may require a vacuum or even compressed air to blow through the condenser coil.

If heavy grease is present there are de-greasing agents available for refrigeration use, and specifically for the condenser coils. The condenser coil may require using a de-greasing agent and then being blown through with compressed air. Follow the de-greasing agent manufacturer's instructions.

Failure to maintain a clean condenser coil can initially cause high temperatures and excessive run times. Continuous operation with dirty or clogged condenser coils can result in compressor failure. Neglecting the condenser coil cleaning procedures will void any warranties associated with the compressor or cost to replace the compressor.



Never use a high pressure water wash for this cleaning procedure as water can damage the electrical components located near or at the condenser coil.

In order to maintain proper refrigeration performance, the condenser fins must be cleaned of dust, dirt and grease regularly. It is recommended that this be done every three months. If conditions are such that the condenser is totally blocked in three months, the frequency of cleaning should be increased. Clean the condenser with a vacuum cleaner or stiff brush. If extremely dirty, a commercially available condenser cleaner may be required.

If your freezer seems to vibrate excessively when the compressor is running, loosen (but do not remove) the bolts on the compressor. Semi-hermetic models should be loosened before operating.

Gasket Maintenance

Gaskets require regular cleaning to prevent mold and mildew build up and also to maintain the elasticity of the gasket. Gasket cleaning can be done with the use of warm soapy water. Avoid full strength cleaning products on gaskets as this can cause them to become brittle and prevent proper seals. Also, never use sharp tools or knives to scrape or clean the gasket which could possibly tear the gasket and rip the bellows.

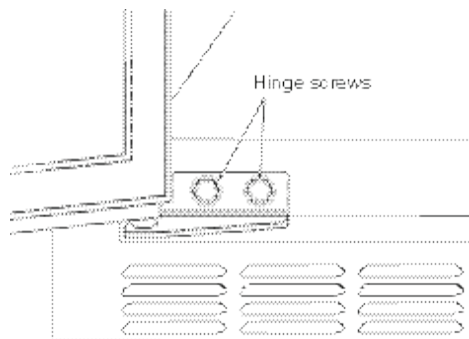
Gaskets can easily be replaced and do not require the use of tools or authorized service persons. The gaskets are "Dart"

Maintenance, continued

style and can be pulled out of the groove in the door and new gaskets can be "pressed" back into place.

Doors/Hinges

Over time and with heavy use the door hinges may become loose. If it is noticed that the door is beginning to sag, it may be necessary to tighten the screws that mount the hinge brackets to the frame of the cabinet. If the doors are loose or sagging, this can cause the hinge to pull out of the frame which may damage both the doors and the door hinges. In some cases this may require repair by a qualified service agent or maintenance personnel.



Drain Maintenance

Each cabinet has a drain located inside which removes the condensation from the evaporator coil and evaporates it at an external condensate evaporator pan. Each drain can become loose or disconnected from moving or bumping the drain. If you notice excessive water accumulation on the inside of the cabinet, be sure the drain tube is connected from the evaporator housing to the condensate evaporator drain pan. If water has collected underneath the cabinet, check the condensate evaporator drain tube to be sure it is still located inside the drain pan. Leveling the cabinet is important as it is designed to drain properly when on a level surface. If your floor is not level this can also cause drain problems. Be sure all drain lines are free of obstructions. Typically, food product is found blocking drain lines causing water to back up and overflow the drain pans.

Drawer Maintenance

Drawer Assembly Cleaning

The drawer assembly is designed to be cleaned easily. Both drawer and tracks are removable without tools. The drawer tracks are dishwasher safe or can be cleaned in a sink with detergents and a soft bristle brush. Drawers and tracks should be cleaned on a weekly basis.

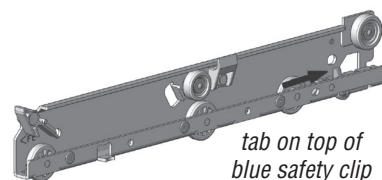
Remove Drawers

Pull the drawer box out until it stops. Lift up on the drawer front and pull the drawer box completely out. Using a soft bristle brush,

clean the track on the bottom of the drawer box. When finished, it should be wiped clean of all food and debris.

Tracks

The drawer box assembly must be removed. Pull the drawer tracks out until they hit a stop. Locate blue safety clips towards the back of each drawer track. Blue safety clips have a tab on the top. Push the tab back until it clicks. Lift up and pull the drawer



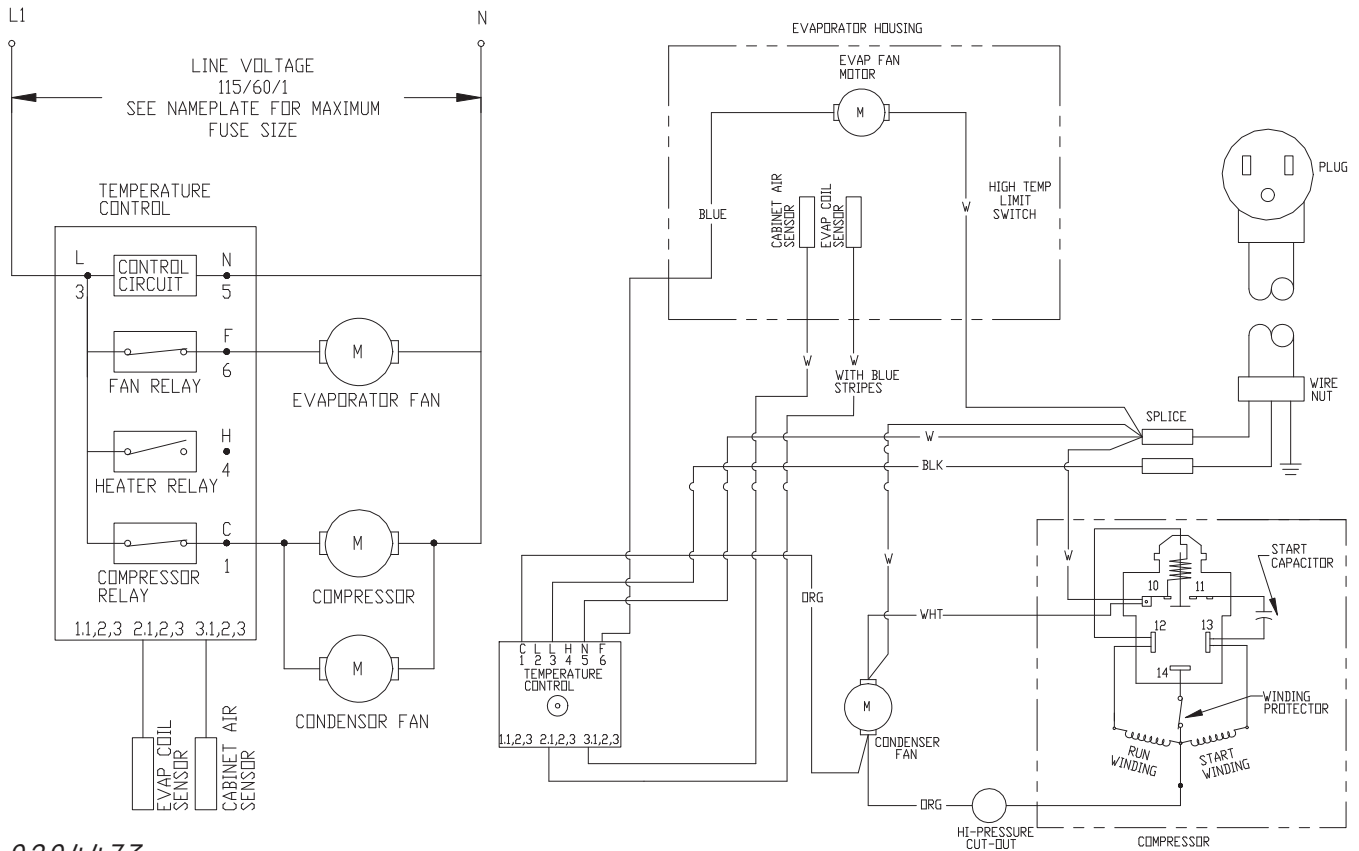
tracks all the way out of the drawer cage. The drawer tracks are dishwasher safe or can be cleaned in a sink with detergents and a soft bristle brush. Drawers and tracks should

be cleaned on a weekly basis. Using a soft bristle brush, wash the track making sure each roller is thoroughly cleaned. The drawer cage should be cleaned with a soft bristle brush, removing any food and debris gathered on the bottom ledge. Once it's cleaned thoroughly with a soft bristle brush, wipe remaining debris clean with a soft towel.

Reassembly

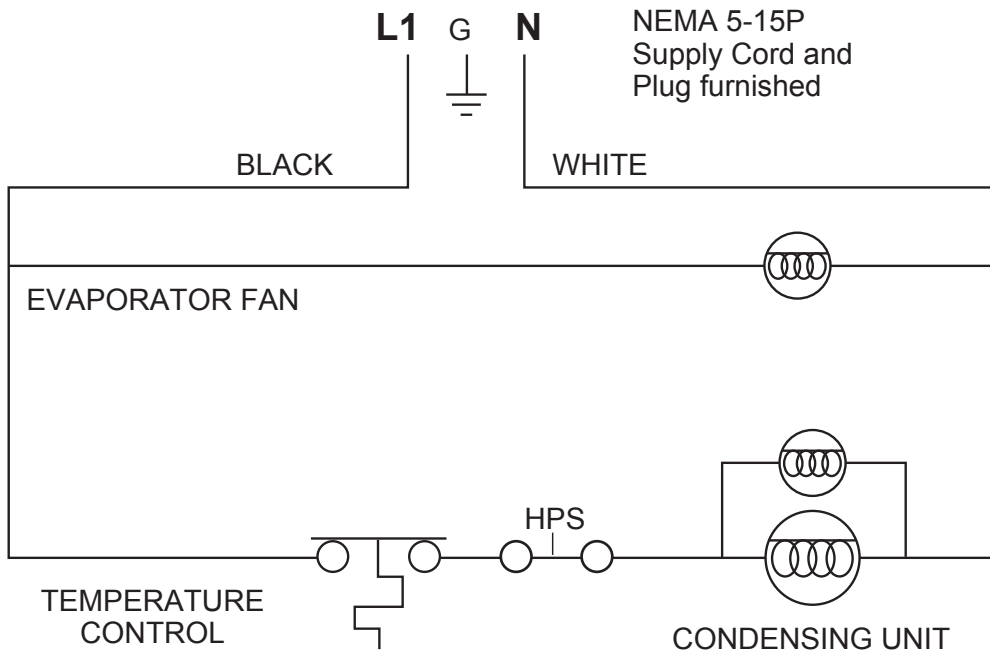
Push the drawer tracks into the drawer cage. The blue safety clip must remain pushed towards the back. Lift up and slide the drawer track all the way into the drawer cage. The blue safety clip will lock in place automatically. Once all tracks are replaced, insert the drawer box. Rest the drawer box bottom track on the front track roller. Then push the drawer back in place SLOWLY. When the drawer box is about half way in you will hit a STOP. You must lift the front of the drawer up approximately 1/2" (1.3cm) to continue inward. Clean tracks as often as possible. The cleaner the tracks are the better they will operate.

Wiring Diagram, 4427 Flat Top Refrigerator

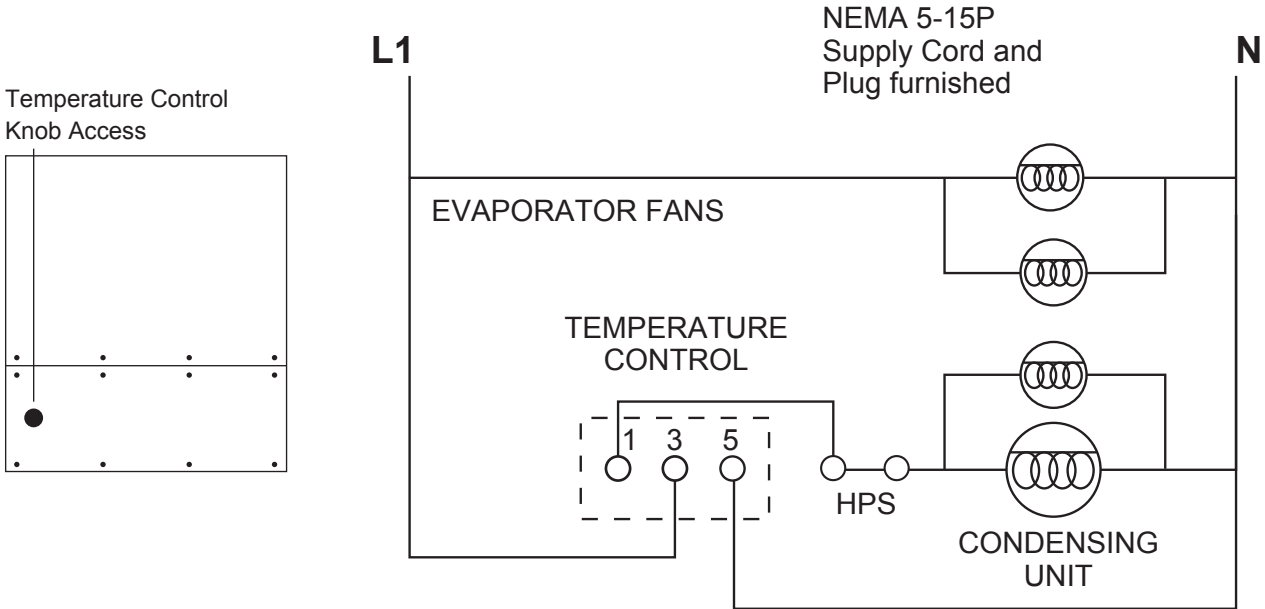


9294473

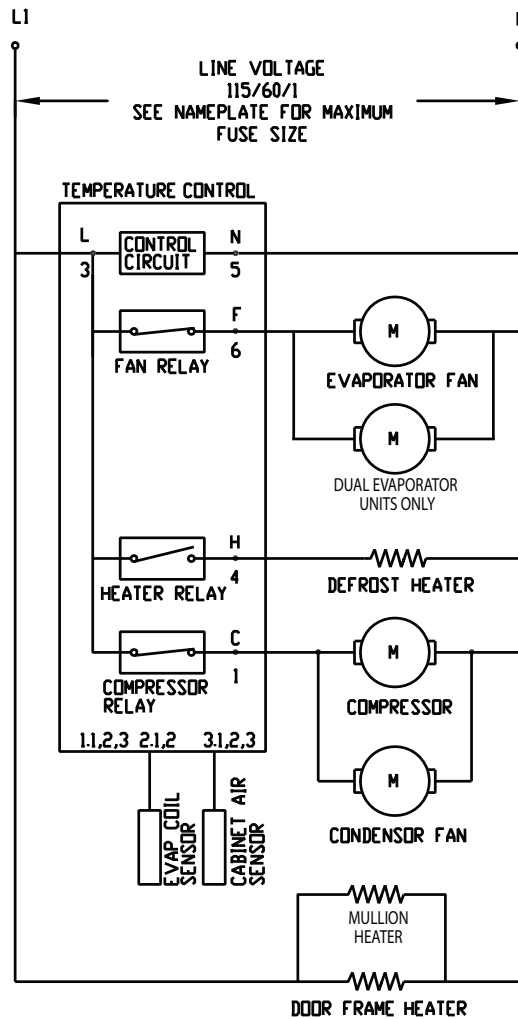
Wiring Diagram, All Remaining Flat Top Refrigerators



Wiring Diagram, Salad & Mega Top Refrigerators



Wiring Diagram, Freezers



Standard Labor Guidelines To Repair Or Replace Parts On Delfield Equipment

Advice and recommendations given by Delfield Service Technicians do not constitute or guarantee any special coverage.

A maximum of 1-hour is allowed to **diagnose a defective component**.

A maximum of 1-hour is allowed for **retrieval of parts** not in stock.

A maximum **travel distance** of 100 miles round trip and 2-hours will be reimbursed.

Overtime, installation/start-up, normal control adjustments, general maintenance, glass breakage, freight damage, and/or correcting and end-user installation error will not be reimbursed under warranty unless pre-approved with a **Service Work Authorization** from Delfield. You must submit the number with the service claim.

LABOR OF 1-HOUR IS ALLOWED TO REPLACE:

- Thermostat
- Hi-limit/Thermal Protector Switch
- Compressor Start Components and Overload Protector
- Evaporator/Condenser Fan Motor and Blade
- Door Hinges, Locks, and Gaskets

LABOR OF 2 HOURS IS ALLOWED TO REPLACE:

- Drawer Tracks/Cartridges
- Defrost Heater
- Locate/Repair a Leak

LABOR OF 3 HOURS IS ALLOWED TO REPLACE:

- Condenser or Evaporator Coil
- Hot gas condensate evaporator

LABOR OF 4 HOURS IS ALLOWED TO REPLACE

Compressor

This includes recovery of refrigerant and leak check.

\$55.00 maximum reimbursement for refrigerant recovery (includes recovery machine, pump, torch, oil, flux, minor fittings, solder, brazing rod, nitrogen, or similar fees.)

REFRIGERANTS

R404A A maximum of \$15.00/lb. or \$1.00/oz. will be reimbursed.

Manufacturers Limited Lifetime Warranty

Delfield warrants to the original purchaser-user, subject to the limitations and exclusions set forth below, that the ABS interior of the Delfield models identified above will be free of manufactured defects for as long as the equipment is owned by the original purchaser-user and is in operation.

What is covered

For purposes of this Warranty, interior liner is defined as the portion of the interior liner which is made of ABS material. This Warranty applies only to products sold and installed after March 1, 2000 in the United States, Canada, Puerto Rico, and Mexico. For purposes of this Warranty, lifetime is defined as the expected usable life for the equipment of 12 years.

Delfield's Obligation

Limited strictly to shipping OEM replacement parts or repair kits for any ABS covered interior. A Delfield authorized service dealer and Delfield's Service Department must confirm the liner defect has occurred under normal conditions and is not due to misuse as defined below. All decisions regarding the ABS interior shall be made by Delfield's Service Department and shall be binding upon the parties. No labor or service charges or allowances are covered by this warranty. Warranty service must be performed by a Delfield approved authorized service agent.

User Responsibility

The product must be installed, cleaned and maintained as described in the Installation & Operation manual which is furnished with the product. Only approved replacement parts may be used. Failure to adhere to the requirements of this paragraph may void warranty coverage.

Procedures

All claims for replacement parts or repair kits must be made through a Delfield Parts Depot or an authorized Delfield dealer. The defective part invoice must be returned to Delfield within 15 days after the date of service to be eligible for warranty coverage. All claims must include the model, serial number, an original date of installation and customer identification. Use of parts other than original Delfield replacement parts will not be covered.

Exclusions

This warranty does not cover labor, service, charges for travel time, mileage, or premium charges. This warranty also does not include defects resulting from:

Operation of the product beyond the specification set forth in the Service and Installation Manual.

Failure to clean and maintain the product as described in the Service and Installation Manual.

Installation of the product in a manner other than as set forth in the Service and Installation.

Use or installation of replacement parts not approved by Delfield: or The introduction of hot items directly onto the ABS liner.

This warranty is in lieu of all other warranties or guarantees of any kind, express or implied, except Delfield's One Year Parts and 90-Day Warranty 4400 Series. ANY IMPLIED WARRANTIES OR MERCHANTABILITY OR FITNESS FOR A PARTICULAR PURPOSE ARE HEREBY DISCLAIMED AND EXCLUDED. IN NO EVENT SHALL DELFIELD BE LIABLE FOR INCIDENTAL OR CONSEQUENTIAL DAMAGES OF ANY KIND OR NATURE, OR FOR ANY DEFECT RESULTING IN WHOLE OR IN PART FROM MISUSE, ALTERATION, IMPROPER INSTALLATION OR INADEQUATE MAINTENANCE OF THE PRODUCT OR ANY PART THEREOF.

No part or assembly which has been subject to accident, alteration or misuse, or which has not been installed or serviced in accordance with the Installation & Operation Manual furnished with the product, or which is from equipment on which the serial number has been altered or removed, shall be covered by this warranty.

Standard One Year Warranty (One Year Parts, 90 Days Labor)

The Delfield Company (“Delfield”) warrants to the Original Purchaser of the Delfield product (herein called the “Unit”) that such Unit, and all parts thereof, will be free from defects in material and workmanship under normal use and service for a period of one (1) year from the date of shipment of the Unit to the Original Purchaser **or, if the Original Purchaser returns the warranty card completely filled out including the date of installation within thirty (30) days of receipt of the Unit, one (1) year from the date of installation.** During this one year warranty period, Delfield will repair or replace any defective part or portion thereof returned to Delfield by the Original Purchaser which Delfield determines was defective due to faulty material or workmanship. The Original purchaser will pay all labor, crating, freight and related costs incurred in the removal of the Unit or defective component and shipment to Delfield, except that during a period of either ninety (90) days from the date of shipment of the Unit to the Original Purchaser or, if the Original Purchaser returns the warranty card completely filled out including the date of installation within thirty (30) days of receipt of the Unit, ninety (90) days from the date of installation Delfield will pay all related labor costs. Delfield will pay the return costs if the Unit or part thereof was defective.

The term “Original Purchaser” as used herein means that person, firm, association, or corporation for whom the Unit was originally installed.

This warranty does not apply to any Unit or part thereof that has been subjected to misuse, neglect, alteration, or accident, such as accidental damage to the exterior finish, operated contrary to the recommendations specified by Delfield; or repaired or altered by anyone other than Delfield in any way so as to, in Delfield’s sole judgement, affect its quality or efficiency. This warranty does not apply to any Unit that has been moved from the location where it was originally installed. This warranty also does not cover the refrigerator drier or the light bulbs used in the Unit. **The warranty is subject to the user’s normal maintenance and care responsibility as set forth in the Service and Installation Manual, such as cleaning the condenser coil, and is in lieu of all other obligations of Delfield. Delfield neither assumes, nor authorizes any other person to assume for Delfield, any other liability in connection with Delfield’s products.**

Removal or defacement of the original Serial Number or Model Number from any Unit shall be deemed to release Delfield from all obligations hereunder or any other obligations, express or implied.

Parts furnished by suppliers to Delfield are guaranteed by Delfield only to the extent of the original manufacturer’s express warranty to Delfield. Failure of the Original Purchaser to receive such manufacturer’s warranty shall in no way create any warranty, expressed or implied, or any other obligation or liability on Delfield’s part in respect thereof.

IF THE CUSTOMER IS USING A PART THAT RESULTS IN A VOIDED WARRANTY AND A DELFIELD AUTHORIZED REPRESENTATIVE TRAVELS TO THE INSTALLATION ADDRESS TO PERFORM WARRANTY SERVICE, THE SERVICE REPRESENTATIVE WILL ADVISE CUSTOMER THE WARRANTY IS VOID. SUCH SERVICE CALLS WILL BE BILLED TO CUSTOMER AT THE AUTHORIZED SERVICE CENTER’S THEN APPLICABLE TIME AND MATERIALS RATES. CONSIDER: CUSTOMER MAY INITIATE A SERVICE AGREEMENT WITHOUT PARTS COVERAGE.

If shipment of a replacement part is requested prior to the arrival in the Delfield factory of the part claimed to be defective, the Original Purchaser must accept delivery of the replacement part on a C.O.D. basis, with credit being issued after the part has been received and inspected at Delfield’s plant and determined by Delfield to be within this warranty.

Under no condition does this warranty give the Original Purchaser the right to replace the defective Unit with a complete Unit of the same manufacturer or of another make. Unless authorized by Delfield in writing, this warranty does not permit the replacement of any part, including the motor-compressor, to be made with the part of another make or manufacturer.

No claims can be made under this warranty for spoilage of any products for any reason, including system failure.

The installation contractor shall be responsible for building access, entrance and field conditions to insure sufficient clearance to allow any hood(s), vent(s), or Unit(s) if necessary, to be brought into the building. Delfield will not be responsible for structural changes or damages incurred during installation of the Unit or any exhaust system.

Delfield shall not be liable in any manner for any default or delay in performance hereunder caused by or resulting from any contingency beyond Delfield’s control, including, but not limited to, war, governmental restrictions or restraints, strike, lockouts, injunctions, fire, flood, acts of nature, short or reduced supply of raw materials, or discontinuance of the parts by the original part manufacturer.

Except as provided in any Additional Four Year Protection Plan, if applicable, and the Service Labor Contract, if applicable, the foregoing is exclusive and in lieu of all other warranties, whether written or oral, express or implied. This warranty supersedes and excludes any prior oral or written representations or warranties. Delfield expressly disclaims any implied warranties of merchantability, fitness for a particular purpose, or compliance with any law, treaty, rule or regulation relating to the discharge of substances into the environment. The sole and exclusive remedies of any person relating to the Unit, and the full liability of Delfield for any breach of this warranty, will be as provided in this warranty.

Other than this Delfield Standard One Year Limited Warranty, any applicable Delfield Additional Four Year Protection Plan or applicable Delfield Service Labor Contract, the Original Purchaser agrees and acknowledges that no other warranties are offered or provided in connection with or for the Unit or any other part thereof.

In no event will Delfield be liable for special, incidental or consequential damages, or for damages in the nature of penalties.

IF DURING THE WARRANTY PERIOD, CUSTOMER USES A PART FOR THIS DELFIELD EQUIPMENT OTHER THAN AN UNMODIFIED NEW OR RECYCLED PART PURCHASED DIRECTLY FROM DELFIELD OR ANY OF ITS AUTHORIZED SERVICE CENTERS AND/OR THE PART BEING USED IS MODIFIED FROM ITS ORIGINAL CONFIGURATION, THIS WARRANTY WILL BE VOID. FURTHER, DELFIELD AND ITS AFFILIATES WILL NOT BE LIABLE FOR ANY CLAIMS DAMAGES OR EXPENSES INCURRED BY THE CUSTOMER WHICH ARISE DIRECTLY OR INDIRECTLY, IN WHOLE OR IN PART, DUE TO THE INSTALLATION OF ANY MODIFIED PART AND/OR PART RECEIVED FROM AN UNAUTHORIZED SERVICE CENTER. If the warranty becomes void, Customer may purchase from Delfield, if available, a Service Agreement or service at the then current time and materials rate.

For more information on Delfield warranty’s log on and check out the service section of our web site at www.delfield.com.



Mt. Pleasant, MI



Covington, TN

Thank you for choosing Delfield!

Help is a phone call away. Help our team of professional, courteous customer service reps by having your model number and serial number available at the time of your call (800) 733-8829.

Model: _____ S/N: _____

Installation Date: _____



For a list of Delfield's authorized parts depots, visit our website at www.delfield.com.

