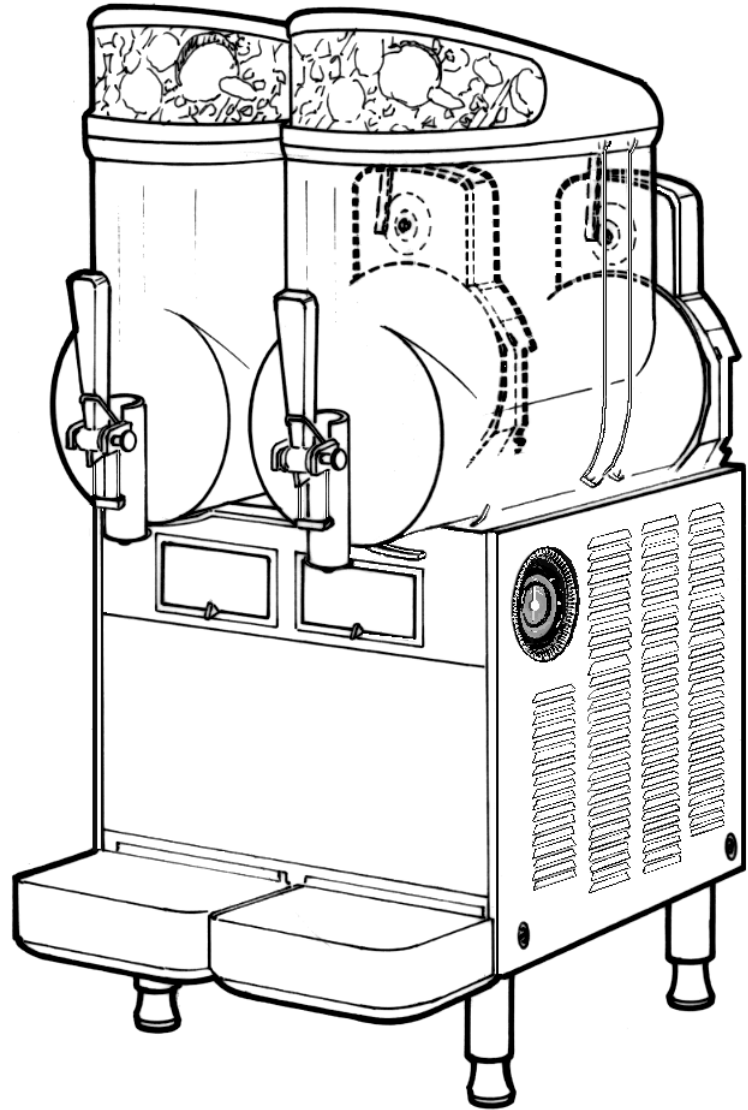


CECILWARE

43-05 20th Ave LIC, NY 11105 i Tel: (800) 935-2211 i (718) 932-1414 i Fax: (718) 932-7860 i www.cecilware.com

MT-2UL-AF, MT-3UL-AF



OPERATOR'S MANUAL
MANUAL DE INSTRUCCIONES

ENGLISH

ESPAÑOL

NS09A

TABLE OF CONTENTS

1	TECHNICAL CHARACTERISTICS	4
2	INTRODUCTION	4
3	INSTALLATION	4
4	TO OPERATE SAFELY	4
5	OPERATING PROCEDURES	5
5.1	DESCRIPTION OF CONTROLS	5
5.2	OPERATION HELPFUL HINTS	6
5.3	CLEANING AND SANITIZING PROCEDURES	6
5.3.1	DISASSEMBLY	7
5.3.2	CLEANING	8
5.3.3	SANITIZING	8
5.3.4	ASSEMBLY	8
5.4	IN-PLACE SANITIZATION	9
6	ROUTINE MAINTENANCE	9
6.1	MAINTENANCE (TO BE CARRIED OUT BY QUALIFIED SERVICE PERSONNEL ONLY)	10
7	DEFROST TIMER	10
8	AUTOFILL DEVICE	10
8.1	INTRODUCTION	10
8.2	INSTALLATION	11
8.3	OPERATING PROCEDURES	11
8.3.1	DESCRIPTION OF CONTROLS	11
8.3.2	OPERATIONAL HELPFUL HINTS	12
8.3.3	IN-PLACE SANITIZATION	12
8.4	ROUTINE MAINTENANCE	13

INDICE GENERAL

1	CARACTERISTICAS TECNICAS	14
2	INTRODUCCION	14
3	INSTALACIÓN	14
4	PARA UN FUNCIONAMIENTO SEGURO	15
5	INSTRUCCIONES DE EMPLEO	15
5.1	DESCRIPCION DE LOS MANDOS	15
5.2	SUGERENCIAS	16
5.3	LIMPIEZA	17
5.3.1	DESMONTAJE	17
5.3.2	LAVADO	18
5.3.3	HIGIENIZACION DEL DISTRIBUIDOR DESMONTADO	18
5.3.4	REMONTAJE	19
5.4	HIGIENIZACION DEL DISTRIBUIDOR MONTADO	20
6	MANUTENCION	20
6.1	MANUTENCION (SOLAMENTE POR EL SERVICIO POSTVENTA)	20
7	CONTADOR DE DESCONGELACION	20
8	SISTEMA DE RECARGA AUTOMATICA	21
8.1	INTRODUCCION	21
8.2	INSTALACION	21
8.3	PROCEDIMIENTO PARA EL FUNCIONAMIENTO	22
8.3.1	CONTROLES	22
8.3.2	CONSEJOS UTILES	22
8.3.3	HIGIENIZACION	23
8.4	MANUTENCION	23

This dispenser is manufactured under one or more of the following U.S.patents and/or other pending patents:
 Este aparato está cubierto por una o varias de las siguientes patentes y/o otras solicitudes de patente ya registradas:

U.S.A. 4,900,158 U.S.A. 5,713,214
 U.S.A. 4,696,417 U.S.A. 5,906,105

1 TECHNICAL CHARACTERISTICS

		MT 2	MT 3
Transparent removable bowls	n	2	3
Capacity of each bowl, approx.	Gal	2.5	2.5
Dimensions:			
width	Inches	14.25	21
depth	Inches	18.5	18.5
height	Inches	27.75	27.75
Net weight, approx.	Lbs	81.5	108
Gross weight, approx.	Lbs	97	127
Adjustable thermostats	n	2	3
Hermetic compressor			
Air-cooled condenser			
Overload protector			
Safety pressure switch			
Noise level lower than 70 dB (A)			

IMPORTANT

Read electrical ratings written on the data plate of the individual units; the data plate is adhered on the dispensing side panel of the unit, just behind the drip tray (the right side drip tray in multiple bowl models). The serial number of the unit (preceded by the symbol #) is adhered inside the left switch box. Data plate specifications will always supersede the information in this manual.

The electric diagram of the dispenser is located in the inner part of the dispensing side panel.

Specifications are subject to change without notice.

2 INTRODUCTION

Please read all sections of this manual thoroughly to familiarize yourself with all aspects of the unit.

Like all mechanical products, this machine will require cleaning and maintenance. Besides, dispenser working can be compromised by operator's mistakes during disassembly and cleaning. It is strongly recommended that personnel responsible for the equipment's daily operations, disassembly, cleaning, sanitizing and assembly, go through these procedures in order to be properly trained and to make sure that no misunderstandings exist.

3 INSTALLATION

- 1 - Remove the corrugate container and packing materials and keep them for possible future use.

IMPORTANT

When handling the machine never grasp it by the bowls or by the evaporator cylinders. The manufacturer refuses all responsibilities for possible damages which may occur through incorrect handling.

- 2 - Inspect the uncrated unit for any possible damage. If damage is found, call the delivering carrier immediately to file a claim.
- 3 - Install the unit on a counter top that will support the combined weight of dispenser and product **bearing in mind what is stated in the preceding point 1 IMPORTANT warning.**
- 4 - A minimum of 15 cm (6") of free air space all around the unit should be allowed to guarantee adequate ventilation.
- 5 - Ensure that the legs are screwed tightly into the base of the machine.
Replace the standard legs originally installed with the 100 mm (4") legs whenever they are provided with the unit.
- 6 - Before plugging the unit in, check if the voltage is the same as that indicated on the data plate. Plug the unit into a grounded, protected single phase electrical supply according to the applicable electrical codes and the specifications of your machine. When the unit has no plug, install a proper grounded plug, in compliance with electrical codes in force in your area, suitable to at least 10 Amp 250 Volt (220-230 Volts 50-60 Hz areas) and 20 Amp 250 Volt (100-115 Volts 50-60 Hz areas) applications. Should you prefer to connect the unit directly to the mains, connect the supply cord to a 2-pole wall breaker, whose contact opening is at least 0.125". Do not use extension cords.

ATTENTION

Failure to provide proper electrical ground according to applicable electrical codes could result in serious shock hazard.

- 7 - Each drip tray has two diaphragm plugs: if a continuous drain is needed, perforate one of the drain plugs and connect it to a flexible drain line (see figure 1).

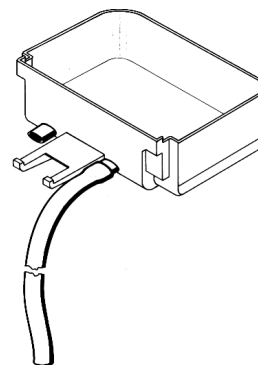


figure 1

- 8 - The unit doesn't come presanitized from the factory. Before serving products, the dispenser must be disassembled, cleaned and sanitized. according to this handbook instructions (chapter 5.3 CLEANING AND SANITIZING PROCEDURES).

4 TO OPERATE SAFELY

- 1 - **Do not** operate the dispenser without reading this operator's manual.
- 2 - **Do not** operate the dispenser unless it is properly grounded.
- 3 - **Do not** use extension cords to connect the dispenser.
- 4 - **Do not** operate the dispenser unless all panels are restrained with screws.

- 5 - **Do not** obstruct air intake and discharge openings: 15 cm (6") minimum air space all around the dispenser.
- 6 - **Do not** put objects or fingers in panels louvers and faucet outlet.
- 7 - **Do not** remove bowls, augers and panels for cleaning or routine maintenance unless the dispenser is disconnected from its power source.

5 OPERATING PROCEDURES

- 1 - Clean and sanitize the unit according to the instructions in this manual. See chapter 5.3 CLEANING AND SANITIZING PROCEDURES.
- 2 - Fill the bowls with product to the maximum level mark. Do not overfill.
The exact quantity of product (expressed as liters and gallons) is shown by marks on the bowl.
- 3 - In case of products to be diluted with water, pour water into bowl first, then add correct quantity of product. In case of natural squashes, it is advisable to strain them, in order to prevent pulps from obstructing the faucet outlet.
- 4 - To obtain the best performance and result, use bases designed to be run in Granita freezers. Such bases have a sugar content of 34 degrees Baumé corresponding to 64 degrees Brix (equivalent to a specific gravity of about 1.3 kg/liter).
For Granita the bases are to be diluted with water on a 1 plus 4/4.5 basis.
For soft drinks the bases are to be diluted with more water, on a 1 plus 5/5.5 basis.
In any case follow the syrup manufacturer's instructions for both Granita and soft drink recipes.
If natural juices (e.g. lemon, orange) as well as sugarless products (e.g. coffee) are used, dissolve 5.3 - 7 oz. of sugar per 0.25 gallons.

IMPORTANT

However Granita mix may be done, its Brix (sugar percent content) must be at least 13.

- 5 - Install the covers and check that they are correctly placed over the bowls. The dispenser must always run with the covers installed to prevent a possible contamination of the product.
- 6 - Set the control switches as shown in chapter 5.1 DESCRIPTION OF CONTROLS.
- 7 - Always leave the dispenser on, as the refrigeration stops automatically when Granita reaches the proper thickness. The mixers will continue to turn.

5. 1 DESCRIPTION OF CONTROLS

The dispenser is equipped with a power switch and a light switch. In addition each bowl is individually operated by a mixer/refrigeration switch. In fact it is possible to dispense both soft drinks and Granita.

When a bowl is in Soft Drink mode the beverage temperature is controlled by the corresponding thermostat.

When a bowl is in Granita mode the mix viscosity is controlled by the corresponding adjustment screw located in the rear wall of each container (for temperature and viscosity setting make reference to chapter 5.2 OPERATION HELPFUL HINTS).

All the switches are located on the faucet side of the dispenser

in switch panels protected by switch covers (see figure 2).

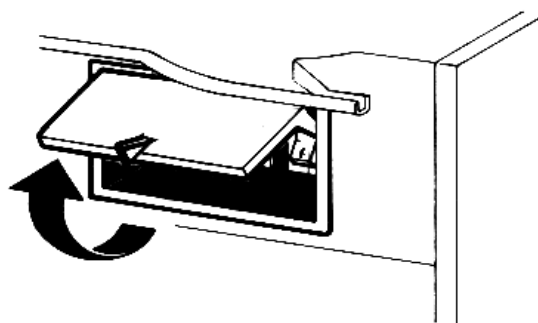


figure 2

In addition all the models are equipped with an automatic safety pressure switch to prevent damages to the compressor. The lighting of the warning light at the left of the switch covers means insufficient ventilation of the unit. In this case check that all around the dispenser there is sufficient space for ventilation, at least 15 cm (6") on each side and that condenser filter is free from dust or other obstructions.

In case the warning light is still ON even after these operations have been carried out, Service call is required.

With reference to figure 3 dispenser controls functions are as follows:

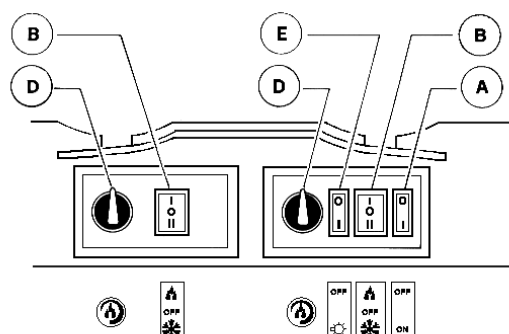


figure 3

Power switch (A)

- 0 position : power is turned OFF to all functions.
- 1 position : power is turned ON to all functions and the other switches are enabled. The fan motor runs.

Light switch (E)

- 0 position : all top cover lights are OFF.
- 1 position : all top cover lights are ON, provided that power switch (A) is set to 1.

Mixer/refrigeration switch (B)

- 1 position : mixer and refrigeration ON. SOFT DRINK mode.
- 0 position : OFF.

II position : mixer and refrigeration ON.
GRANITA mode.

Thermostat (D)

Turn clockwise : to decrease temperature
Turn counterclockwise : to increase temperature

To operate the unit:

- 1 - Set the power switch to I position.
- 2 - Set the mixer/refrigeration switches as follows:
 - to the I position to get soft drink.
 - to the II position to get Granita.
- 3 - Set the light switch to I position.

5. 2 OPERATION HELPFUL HINTS

- 1 - **Granita viscosity adjustment:** proper Granita viscosity is factory preset. To change the viscosity, if needed, use a standard screwdriver to turn the adjustment screw located in the rear wall of each container as follows (see figure 4):
 - towards right (clockwise) to obtain a thicker product (the indicator F will go down in opening G).
 - towards left (counterclockwise) to obtain a thinner product (the indicator F will go up in opening G).

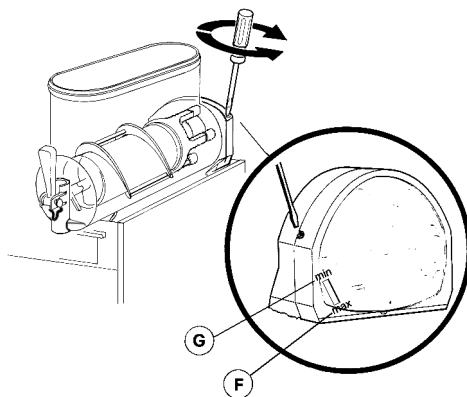


figure 4

- 2 - **Beverage temperature adjustment:** proper beverage temperature is factory preset. To reset, turn the knob located in each switch box as follows:
 - towards right (clockwise) to decrease temperature.
 - towards left (counterclockwise) to increase temperature.

Note: beverage temperature is controlled by the thermostat only when the mixer/refrigeration switch(es) are in I position, Soft Drink mode.
- 3 - When the mixer / refrigeration switch(es) are set in I position, Soft Drink mode, it is possible to manually switch off the refrigeration by turning completely towards left (counterclockwise) the thermostat knob until it clicks.
- 4 - The length of time for freeze down of Granita is governed by many variables, such as ambient temperature, mix initial temperature, sugar content (Brix level) and viscosity setting.
- 5 - To shorten Granita recovery time and increase productivity, it is advisable to pre-chill the product to be used in the dispenser.
- 6 - To shorten Granita recovery time and increase productivity, the bowl should be refilled after the product level drops lower than half of the evaporator cylinder and at the start of each day.

- 7 - For good product conservation the dispenser must run overnight, at least in Soft Drink mode.
If this is not possible and product is left in the bowls overnight, the mixer/refrigeration switches must be set to the I position at least one hour before the unit is switched off. This eliminates any block of iced product forming overnight, which could result in damage to mixers or to their motor when the unit is switched back on. In any case, before the unit is restarted, make sure that no blocks of ice have been formed; if so, they are to be removed before the unit is switched on. Overnight operation in drink mode also eliminates possible ice accumulation from condensation all around the bowls.
- 8 - Mixers must not be turned off when frozen product is in the bowl: if not agitated, the product may freeze to a solid block of ice. If the mixers are turned back on in this situation, damage to the mixers and their motor may result. Therefore, mixers may be restarted only after product is melted.
- 9 - The dispenser is equipped with a magnetic coupling by which the gear motor (located outside the bowl) drives the mixers (inside the bowl).
The magnetic drive operates as an "intelligent clutch" able to automatically disconnect the mixers in case they are seized by ice or other causes.
This inconvenience can be soon noticed since an intermittent dull noise warns that mixers are still.
In this case it is necessary to unplug immediately the dispenser, empty the bowl and eliminate the cause of seizing.
- 10 -The dispenser must be able to emit heat.
In case it seems excessive, check that no heating source is close to the unit and air flow through the slotted panels is not obstructed by wall or boxes. Allow at least 15 cm (6") of free clearance all around the dispenser.
In any case if the product in the bowls is frozen and the safety pressure switch warning light is OFF the unit is running properly.
- 11 -Restrictor cap: when the unit is used in Soft Drink mode it is advisable to install the restrictor cap on the faucet outlet in order to reduce the drink outflow (see figure 5).

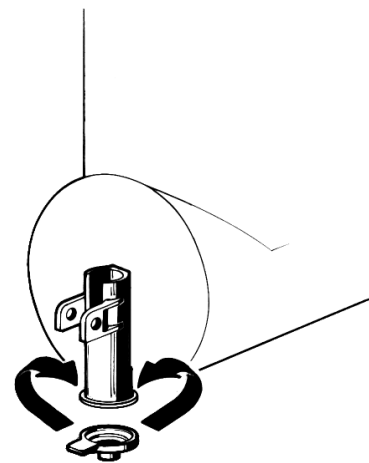



figure 5

5. 3 CLEANING AND SANITIZING PROCEDURES

- 1 - Cleaning and sanitizing of the dispenser are recommended to guarantee the conservation of the best product taste and the highest unit efficiency. This section is a procedural guideline only and is subject to the requirements of the local Health Authorities.
- 2 - Prior to the disassembly and cleaning, the machine must be emptied of product. To do this proceed as follows:
 - set the power switch to I position
 - set mixer/refrigeration switch(es) to I position (Soft Drink

- mode)
- place a pail under each faucet and drain all product from bowls
- set all control switches to the 0 position.

5. 3. 1 DISASSEMBLY


ATTENTION

Before any disassembly and/or cleaning procedure make sure that the dispenser is disconnected from its power source.

- 1 - Remove cover from the bowl.
- 2 - Remove the bowl by lifting its faucet side up and off the fastening hooks (see figure 6) and slide it out (see figure 7).

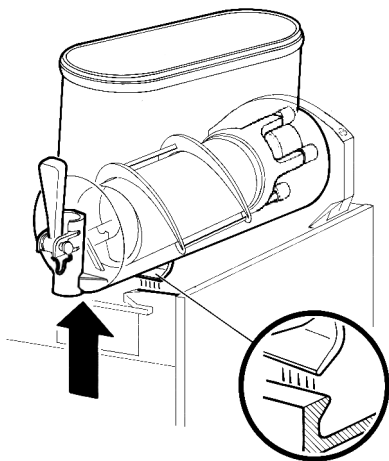


figure 6

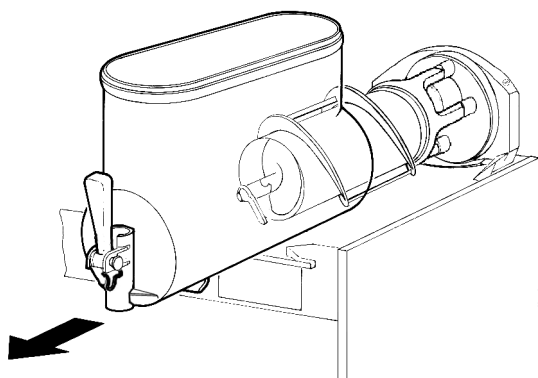


figure 7

- 3 - Slide the outer spiral out (see figure 8) and then the inside

auger (see figure 9).

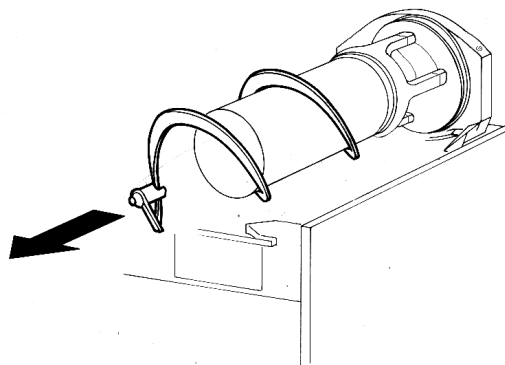


figure 8

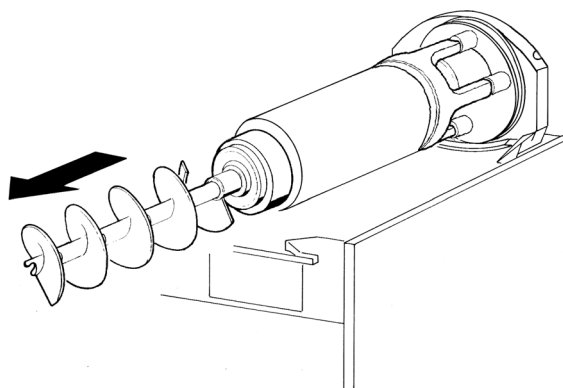


figure 9

- 4 - Remove the bowl gasket from its seat (see figure 10).

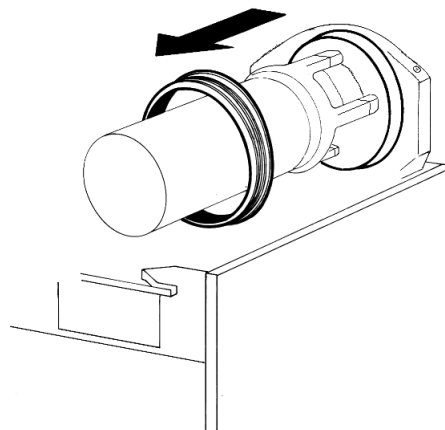


figure 10

5 - Dismantle the faucet assembly (see figure 11).

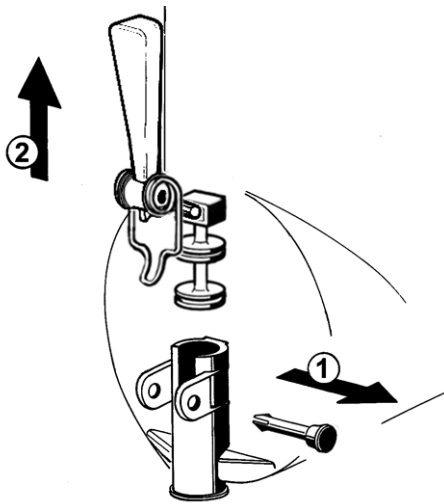


figure 11

6 - Slide the drip tray out and empty it.

5. 3. 2 CLEANING

⚠ ATTENTION

Before any disassembly and/or cleaning procedure make sure that the dispenser is disconnected from its power source.

▶ IMPORTANT

Do not attempt to wash any machine components in a dishwasher.

1 - Prepare at least two gallons of a mild cleaning solution of warm (45-60 °C / 120-140 °F) potable water and dishwashing detergent. Do not use abrasive detergent. Important: if present, follow label directions, as too strong a solution can cause parts damage, while too mild a solution will not provide adequate cleaning.

▶ IMPORTANT

In order to prevent any damages to the dispenser use only a detergent suitable with plastic parts.

2 - Using a brush, suitable for the purpose, thoroughly clean all disassembled parts in the cleaning solution.

⚠ ATTENTION

When cleaning the machine, do not allow excessive amounts of water around the electrically operated components of the unit. Electrical shock or damage to the machine may result.

3 - Do not immerse the lighted top covers in liquid. Wash them apart with the cleaning solution. Carefully clean their undersides.

4 - In the same manner clean the evaporator cylinder(s) using a soft bristle brush.

5 - Rinse all cleaned parts with cool clean water.

5. 3. 3 SANITIZING

Sanitizing should be performed immediately prior to starting the machine. Do not allow the unit to sit for extended periods of time after sanitization.

1 - Wash hands with a suitable antibacterial soap.

2 - Prepare at least two gallons of a warm (45-60 °C / 120-140 °F) sanitizing solution (100 PPM available chlorine concentration or 1 spoon of sodium hypochlorite diluted with half a gallon of water) according to your local Health Codes and manufacturer's specifications.

3 - Place the parts in the sanitizing solution for five minutes.

4 - Do not immerse the lighted top covers in liquid. Carefully wash their undersides with the sanitizing solution.

5 - Place the sanitized parts on a clean dry surface to air dry.

6 - Wipe clean all exterior surfaces of the unit. Do not use abrasive cleaner.

5. 3. 4 ASSEMBLY

1 - Slide the drip tray into place.

2 - Lubricate faucet piston, inside auger and outer spiral (see points A, B and C of figure 12) only with the grease supplied by the manufacturer or other **food grade approved** lubricant.

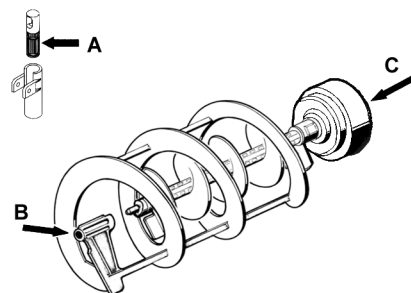


figure 12

3 - Assemble the faucet by reversing the disassembly steps (see figure 11)

4 - Fit bowl gasket around its seat. Note: the largest brim of gasket must face against the rear

wall (see figure 13).

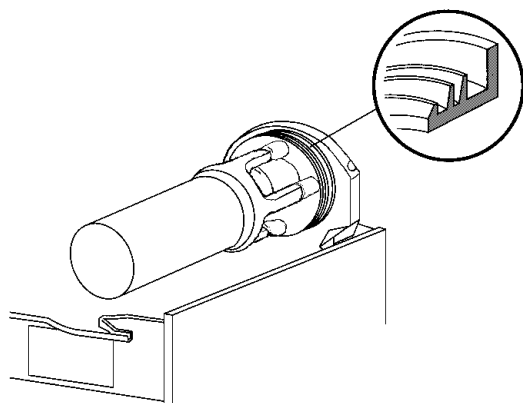


figure 13

- 5 - Insert the auger into the evaporator taking care to accompany it to the end so as to prevent it from hitting against the rear wall (see figure 14).

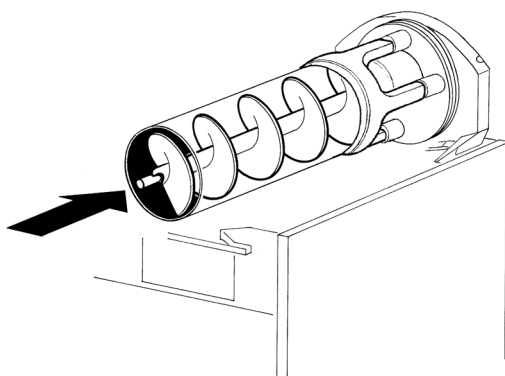


figure 14

- 6 - Install the outer spiral. Slide it over the evaporator until its front notch engages with the exposed end of the auger

shaft (see figure 15).

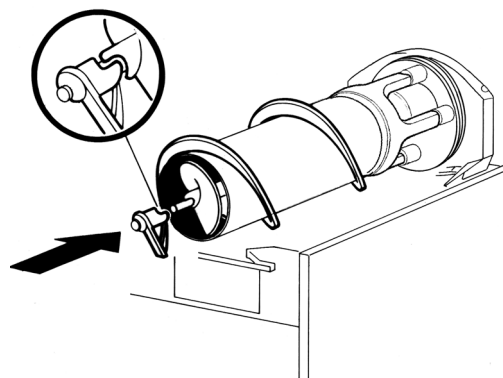


figure 15

- 7 - Push the bowl towards the rear wall of the unit until it fits snugly around the gasket and its front fastening hooks are properly engaged (see figure 16).

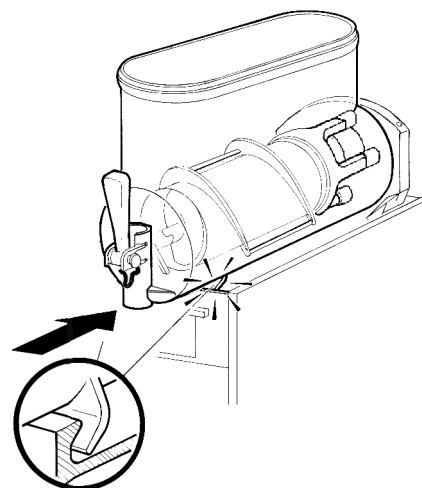


figure 16

- 8 - Use fresh product to chase any remaining sanitizer from the bottom of the bowl(s). Drain this solution. Do not rinse out the machine.

5. 4 IN-PLACE SANITIZATION

The In-Place Sanitization prior to starting the machine may be performed, if needed, only as further precaution, in addition to the Disassembled Parts Sanitization described before, but never in lieu of it.

- 1 - Prepare two gallons of a warm (45-60°C / 120-140 °F) sanitizing solution (100 PPM available chlorine concentration or 1 spoon of sodium hypochlorite diluted with half a gallon of water) according to your local Health Codes and manufacturer's specifications.
- 2 - Pour the solution into the bowl(s).
- 3 - Using a brush suitable for the purpose, wipe the solution on all surfaces protruding above the solution-level and on the underside of the top cover(s).
- 4 - Install the top cover(s) and operate the unit. Allow the solution to agitate for about two minutes. Drain the solution out of the bowl(s).
- 5 - Use fresh product to chase any remaining sanitizer from the bottom of the bowl(s). Drain this solution. Do not rinse out the machine.

6 ROUTINE MAINTENANCE

- 1 - **Daily:** inspect the machine for signs of product leaks past seals and gaskets. If proper assembly does not stop leaks around seals or gaskets, check for improper lubrication, worn or damaged parts. Replace parts as needed.
- 2 - **Monthly on MT 2 and MT 3 models:** remove the dust from the condenser filter.



ATTENTION

Before any disassembly and/or cleaning procedure make sure that the dispenser is disconnected from its power source by unplugging it or switching off the 2-pole wall breaker.

Remove the only left panel (from faucet side) unscrewing the two plastic coated screws (see figure 17).

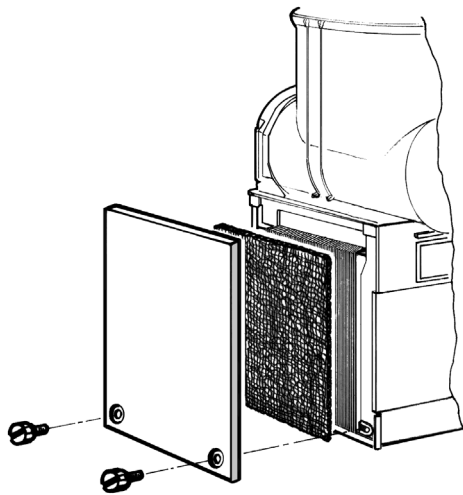


figure 17



ATTENTION

Condenser fins are very sharp. Use extreme caution when cleaning.

6. 1 MAINTENANCE (TO BE CARRIED OUT BY QUALIFIED SERVICE PERSONNEL ONLY)

- 1 - **Annually:** remove the panels and clean the inside of the machine including the base, side panels, condenser, etc.
- 2 - Never remove the insulating jacket from around the suction tubing of the evaporator (the copper tubing located on the right side of gear motor). In case the insulating jacket is missing replace the entire parts with original

spare parts from the supplier.

- 3 - In order to prevent any damages to the dispenser, all plastics parts must be lubricated only with grease supplied by the manufacturer or with another lubricating product suitable for polycarbonate.



IMPORTANT

The electric diagram of the dispenser is located in the inner part of the dispensing side panel.

7 DEFROST TIMER

The Defrost Timer, located on the right side of the unit, automatically switches the dispenser from Granita mode to Soft Drink mode and the opposite. This means that during defrost periods frozen Granita will melt to thermostat setting temperature and once defrost period has expired, the product automatically freezes down again to Granita setting viscosity.

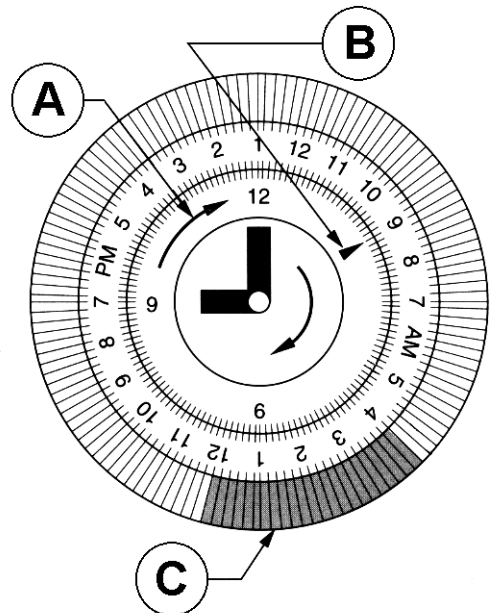


figure 18

To operate the defrost timer proceed as follows (see figure 18).

- 1 - Set the time of the day by rotating the dial clockwise (arrow A). **Never rotate the timer counterclockwise** as this would damage the internal mechanism. Align the current time of day with the arrow B on the timer face. This is a 24 hour timer showing both A.M. and P.M.
- 2 - Program the defrost timer by pushing out on the tabs C that correspond to the hours desired to defrost. Each tab represents 15 minutes. A minimum of four to eight hours are required to defrost frozen beverage (depending on ambient conditions).

Note: when all the tabs are pushed in the defrost function is OFF (the machine operates as if it were not equipped with Defrost Timer).

8 AUTOFILL DEVICE

8.1 INTRODUCTION

This operator's manual is a complement to the standard Granita machine operator's manual available in the unit package.

Carefully read first the standard unit Operator's Manual and then all the following sections of this one thoroughly to familiarize yourself with all aspects of the system.

The purpose of the Autofill Device is to increase the productivity of a Granita Machine far beyond the containers capacity, allowing the automatic refill as soon as the product in the containers drops lower a preset level.

In order to operate a Granita Machine equipped with Autofill Devices a remote fill system is required.

The remote fill system is composed of all those parts that are installed outside the dispenser and is intended to supply the dispenser with the adequate and correct beverage to be frozen.

It is not the aim of this manual to instruct about how to set up and operate a remote fill system. To get more information about that please make reference to our "Autofill System for Granita Machines - General description and typical installation flow charts".

8.2 INSTALLATION

- 1 - Loosen the fitting locker located on the rear cover of each bowl equipped with Autofill Device and connect the remote fill system using a 1/4" fitting suitable to the purpose. Tighten the fitting locker.

i
IMPORTANT

Whatever the remote fill system may be make sure that the inlet product pressure into the Autofill Device is not exceeding 2.5 bar (36 psi).

- 2 - On the lower rear panel of the machine a 6-pole terminal block is located. It is designed for connecting some accessories such as a Safety Water Line Solenoid Valve

and one Sold-out Switch each bowl (see figure 19).

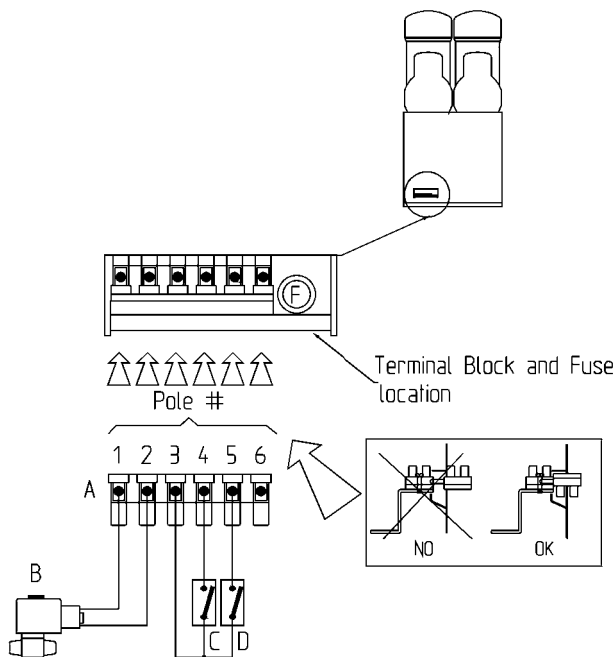


figure 19

- 3 - The Safety Water Line Solenoid Valve is intended to cut off the main water line (if present in the remote fill system) whenever the Autofill Device is not refilling. The Sold-out Switch (one for each bowl) disables the Autofill Device and activates acoustic and visual alarms whenever the incoming beverage is sold out. The Safety Water Line Solenoid Valve, if present, must be connected to the unit using #1 and #2 poles of the terminal block (see figure 19).

i
IMPORTANT

Safety Water Line Solenoid Valve must be 24V DC 12W maximum.

If a Safety Water Line Solenoid Valve is not used do not use #1 and #2 poles.
 If the remote fill system is equipped with Sold-out switches connect their wires to #3 and #4 poles (for one bowl unit), to #3, #4 and #5 poles (for two bowls unit) and to #3, #4, #5 and #6 poles (for three bowls unit) as per figure 1 diagram.

i
IMPORTANT

If no Sold-out switch is used make sure that #3, #4, #5 and #6 poles on the terminal block are connected together.

- 4 - The Autofill Device doesn't come presanitized from the factory. Prior to starting operation an In-Place Sanitization is to be performed according with this handbook instructions (paragraph 3.3 IN-PLACE SANITIZATION).

8. 3 OPERATING PROCEDURES

Once the remote fill system is set up, follow the procedures described in chapter 3.1 DESCRIPTION OF CONTROLS to activate the Autofill system.



The device is designed so as no refilling occurs in case either the clip probe is not properly installed or the bowl not properly fitted.

If the clip probe is properly installed and the bowl properly fitted in their position, the remote fill system starts to operate and feed the bowl through the hole in the rear wall. As soon as the product level reaches the lowest tip of the probe, the priming automatically stops.

As soon as the probe tip immersed in the product gets uncovered (because of dispensed product), the solenoid valve inside the rear wall automatically opens and fresh beverage flows into the bowl until the probe tip gets covered again.

The solenoid valve opening occurs with about 10 seconds delay to avoid that the irregular waving of product surface, occasionally discovering probe tip, may be understood as level dropping "cause of dispensing".

A sold-out warning light along with a buzzer (visual and acoustic sold-out alarms) are located respectively on and inside the rear cover. They can run only if an applicable Sold-out switch is connected to the terminal block (see figure 19).

8. 3. 1 DESCRIPTION OF CONTROLS

Each Autofill Device is equipped with a three position switch located on the rear wall.

Its functions are as follows:

- I position : Autofill Device is turned ON, provided that the power switch of the unit is set to I.
- 0 position : Autofill Device is turned OFF.
- II position : Autofill Device may be manually activated (momentary position). By keeping manually pushed the switch in this II position, it is possible to manually activate the refilling by-passing all the controls (both the clip probe and the sold-out switches). This feature is useful for priming in the first time operation or whenever a sold-out occurs. The same feature is also helpful for cleaning and sanitizing procedures.

To operate the Autofill Device:

- 1 - Set the power switch of the unit to I position.
- 2 - If it is first time operation: manually energize the Autofill Device, by keeping pushed the Autofill Switch in position II, until the priming is completed. Set the Autofill switch to I position.
If this is not first time operation: set Autofill switch to I position.
- 3 - Set the unit mixer/refrigeration switch of the bowl to II position.

Note: when Autofill switch is set to position 0, the unit performs as a standard unit not equipped with Autofill Device.

8. 3. 2 OPERATIONAL HELPFUL HINTS

- 1 - When the remote fill system is equipped with Sold-out switches if a product sold-out occurs the Autofill Device

automatically stops and acoustic and visual alarms are activated. Once product is restored, by keeping manually pushed the Autofill switch (located in the rear wall) in II position, it is possible to manually reactivate the remote fill system as already told in 3.1.

- 2 - The 1.25 Amps Fuse located near the terminal block has the purpose to protect the Autofill Devices from short circuits or overloads on #1 and #2 poles.
- 3 - After cleaning and sanitizing procedures carefully dry the bowl and the clip probe to avoid that the water present on the bowl may be understood as level reaching the probe and "causing of stopping of the refill".

8. 3. 3 IN-PLACE SANITIZATION

The In-Place Sanitization of the Autofill system is recommended to guarantee the best product taste and the highest unit efficiency. This section is a procedural guideline only and is subject to the requirements of the local Health Authorities.

Prior to perform the In-Place Sanitization the machine must be emptied of product. To do this proceed as follows:

- set the Autofill switch to 0 position.
- set the unit power switch to I position
- set the unit mixer/refrigeration switch to I position (Soft Drink mode)
- place a pail under each faucet and drain all product from bowls
- set all control switches to 0 position

- 1 - Use a clean tank for each of the following:
 - a -Cleaning Tank - fill with warm (45-60 °C / 120 - 140 °F) potable water.
 - b -Sanitizing Tank - fill with sanitizing solution (100 PPM available chlorine concentration or 1 spoon of sodium hypochlorite diluted with half a gallon of water) according to your local Health Codes and manufacturer's specifications.
- 2 - Repeat the following procedure on each of the unit bowls:
 - a -Disconnect the beverage source and in place of it connect the Cleaning Tank to the remote fill system line.
 - b -Set the unit Power Switch to position I. Manually energize the Autofill Device, by keeping pushed the Autofill Switch (located on the rear cover of each bowl) in position II, until the cleaning water flows free from any beverage residue.
Set the unit Power Switch to position 0 and drain all the liquid from the bowl.
 - c -Disconnect the Cleaning Tank and in place of it connect the Sanitizing Tank to the remote fill system line.
 - d -Set the unit Power Switch to position I. Manually energize the Autofill Device, by keeping pushed the Autofill Switch (located on the rear cover of each bowl) in position II, until sanitizing solution only outflows. Flush at least a quarter of a gallon of sanitizing solution to make sure that all the system has been filled with it. Set the unit Power Switch to position 0 and drain from the bowl all the sanitizing solution.
 - e -Disconnect the Sanitizing Tank and in place of it connect the Beverage source to the remote fill system line.
 - f -Set the unit Power Switch to position I. Manually energize the Autofill Device, by keeping pushed the

Autofill Switch (located on the rear cover of each bowl) in position II, until full strength beverage outflows.

Set the unit Power Switch to position 0 and drain all the liquid from the bowl.

- g -Set the unit Power Switch to position I. Manually energize the Autofill Device, by keeping pushed the Autofill Switch (located on the rear cover of each bowl) in position II, dispense a cup of beverage and check its taste.
- h -If not satisfactory, drain all the liquid from the bowl and repeat point G until obtaining a satisfactory tasting drink.**Note:** the above Autofill System In Place Sanitization must be followed by unit cleaning and sanitization as described in standard unit Operator's Manual.

8. 4 ROUTINE MAINTENANCE

Daily: inspect the machine for signs of product leaks past seals and gaskets. If proper assembly does not stop leaks around seals or gaskets, check for improper lubrication, worn or damaged parts. Replace parts as needed.



IMPORTANT

Weekly: inspect the contact between the clip probe and the rear wall. Keep it clean and free from sugar or dust

1 CARACTERISTICAS TECNICAS

		MT 2	MT 3
Contenedores transparentes desmontables	n	2	3
Capacidad de cada contenedor, aproximada	Gal	2.5	2.5
Dimensiones:			
ancho	Inches	14.25	21
largo	Inches	18.5	18.5
alto	Inches	27.75	27.75
Peso neto, aproximado	Lbs	81.5	108
Peso bruto, aproximado	Lbs	97	127
Termostatos regulables	n	2	3
Motocompresor hermético			
Condensador a ventilación forzada			
Guardamotor			
Limitador de presión de seguridad			
Nivel de ruido inferior a 70dB (A)			

▶ IMPORTANTE

Características eléctricas: leer los datos detallados en la placa del distribuidor; ésta se encuentra en la parte inferior del panel frontal, detrás del cajón recoge-gotas de la derecha. Los números de matrícula de los aparatos (precedidos por el símbolo#) están colocados dentro del alojamiento portainterruptores de izquierda. Los datos detallados sobre la placa son aquellos a los que se debe siempre hacer referencia.

El diagrama eléctrico del distribuidor se encuentra dentro del panel lado grifo.

Se reserva el derecho de efectuar modificaciones sin previo aviso.

2 INTRODUCCION

Les aconsejamos que lean atentamente este manual de instrucciones para conocer todas las características del distribuidor.

También este distribuidor, como todos los productos mecánicos, necesita de limpieza y cuidado. Se corre el riesgo de impedir su buen funcionamiento si se verificasen errores cometidos por el usuario durante la fase de desmontaje y limpieza. Por dicho motivo es importante que los procedimientos de desmontaje, lavado, higienización y limpieza, siendo operaciones cotidianas, sean conocidas sin posibilidad de error por todo el personal responsable del distribuidor.

3 INSTALACION

1 - Quitar el distribuidor del embalaje: guardar este último por

si hubiera cualquier eventualidad.

▶ IMPORTANTE

En la operación de transporte o levantamiento no se debe coger nunca el distribuidor por sus contenedores transparentes o por los cilindros evaporadores. El fabricante no responde de los daños acarreados por estas maniobras equivocadas.

- 2 - Controlar que el distribuidor no haya sufrido daños durante el transporte. De haberlos sufrido, reclamar inmediatamente al transportista.
- 3 - Colocar el distribuidor en un mostrador en grado de sostener su peso incluso con la carga completa, **teniendo en cuenta cuanto indicado en IMPORTANTE, del punto 1.**
- 4 - Dejar un espacio libre de por lo menos 6" alrededor del aparato para no impedir el flujo de aire de refrigeración.
- 5 - Controlar la estabilidad del aparato, regulando la altura de los pies. En el caso en que el distribuidor esté provisto de una serie de piés altos (4" aproximadamente), ésta debe ser sustituida a la original.
- 6 - Antes de enchufar el aparato con la toma de corriente controlar que la tensión de la red sea aquella indicada en la placa. Enchufar el distribuidor a una red monofásica, sirviéndose de una toma completa de tierra, según lo previsto por la normativa vigente. Si el distribuidor resulta desprovisto de enchufe, conectar al cable un enchufe que esté en conformidad con las normas vigentes de vuestro país, provisto de espiga o contactos de tierra y adecuado para corrientes de por lo menos 10A y tensión de 250V (para áreas con tensiones de 220V-230V, 50Hz-60Hz) y 20 A y tensión de 250V (para áreas con tensiones de 110V-115V 50-60Hz). En el supuesto de realizar una conexión fija a la red, conectar el cable a un interruptor de pared de tipo bipolar con apertura de contactos de 0.125" por lo menos. No utilizar cordones conectores para enchufar el aparato al suministro de corriente eléctrica.

⚡ ATENCION

Cerciorarse que el aparato esté correctamente conectado a tierra; en caso contrario es posible causar shock eléctricos a las personas o dañar el distribuidor.

- 7 - El cajón recoge-gotas está provisto de dos uniones de desagüe con diafragma. En el caso en que se quiera vaciar de continuo el cajón, perforar el diafragma (por ejemplo empleando un destornillador) de uno de las dos uniones de desagüe y conectarlo a una tubo de desagüe (ver figura 1).

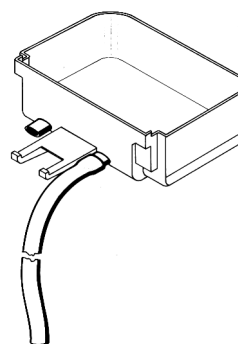


figura 1

- 8 - El distribuidor no sale de fábrica prelavado e higienizado. Antes de utilizarlo debe ser desarmado, lavado e higienizado siguiendo cuanto se ha dicho en las presentes instrucciones del capítulo 5.3 LIMPIEZA.

4 PARA UN FUNCIONAMIENTO SEGURO

- 1 - **No** utilizar el distribuidor antes de haber leído el presente manual de instrucciones.
- 2 - **No** utilizar el distribuidor si no está correctamente conectado a tierra.
- 3 - **No** utilizar cordones conectores para enchufar el distribuidor al suministro de corriente.
- 4 - **No** poner en funcionamiento el distribuidor si los paneles no se encuentran en su lugar y fijados con los tornillos.
- 5 - **No** impedir el flujo de aire de refrigeración, dejar un espacio libre de por lo menos 15 cm alrededor del distribuidor.
- 6 - **No** introducir los dedos u objetos en las ranuras de los paneles y en la apertura del grifo.
- 7 - **No** desmontar el contenedor, no quitar los mezcladores o paneles para limpieza o manutención sin cerciorarse que el distribuidor esté desenchufado del suministro de corriente.

5 INSTRUCCIONES DE EMPLEO

- 1 - Lavar e higienizar el distribuidor antes de utilizarlo siguiendo cuanto se ha dicho en las presentes instrucciones en el capítulo 5.3 LIMPIEZA.

- 2 - Llenar los contenedores con el producto deseado hasta que alcance el nivel máximo indicado (no superar dicho nivel).

La cantidad de producto presente en el contenedor (en litros o en galones) está indicada con señales específicas situadas en el contenedor mismo.

- 3 - Si se quiere distribuir productos concentrados a diluirse con agua, verter en los contenedores el agua agregando a continuación la cantidad necesaria de producto concentrado, según las instrucciones del fabricante. Si se quieren emplear zumos naturales se recomienda filtrarlos para evitar que las partes sólidas puedan obstruir el pasaje del grifo.

- 4 - Para obtener los mejores resultados emplear como productos base, jarabes expresamente preparados para Granizado (contenido de azúcar correspondiente a 34° Baumé, es decir 64° Brix, o sea 1,3 kg/l). Por lo general, 0.25 gal de jarabe debe ser diluido en aproximadamente 4-4,5 litros de agua.

Si se desea obtener una bebida en vez de un granizado, cada litro de jarabe debe ser diluido con 1- 1.25 gal de agua (0.25 gal más respecto del necesario para el granizado).

Es una buena regla seguir las instrucciones dictadas por el fabricante de jarabes.

Si se usan productos naturales (por ejemplo zumo de limón o naranja) o bien bebidas no azucaradas (por ejemplo café), disolver 5.3 - 7 oz/0.25 gal).



IMPORTANTE

En todo caso, una vez obtenida la mezcla, su grado de Brix (porcentaje de azúcar) debe ser superior a 13.

- 5 - Montar las tapas sobre los contenedores cerciorándose que queden bien colocadas y que se establezca una correcta conexión eléctrica entre el contenedor y la tapa.
- 6 - Accionar los interruptores (ver capítulo 5.1 DESCRIPCIÓN DE LOS MANDOS).
- 7 - El distribuidor debe funcionar siempre con las tapas montadas para prevenir una posible contaminación del producto.
- 8 - El distribuidor debe funcionar ininterrumpidamente: el

grupo frigorífico se parará automáticamente cuando el producto esté listo para ser distribuido. Los dispositivos mezcladores seguirán funcionando.

5. 1 DESCRIPCION DE LOS MANDOS

El distribuidor está provisto de un interruptor general y de un interruptor para la luz. Cada uno de los contenedores está provisto de un interruptor para arrancar la mezcla y para seleccionar el tipo de refrigeración del producto. En efecto, es posible obtener tanto bebidas frías como productos helados como granizados o sorbetes.

Cuando se selecciona la función bebida, la temperatura de dicha bebida está regulada por el correspondiente termostato. Cuando se selecciona la función granizado la densidad del producto se regula con el correspondiente tornillo de ajuste que se encuentra en cada una de las paredes posteriores del distribuidor (para regular la temperatura y la densidad ver el capítulo 5.2 SUGERENCIAS).

Todos los interruptores están colocados en la parte frontal del distribuidor (lado grifos) y están protegidos con una ventanilla apropiada (ver figura 2).

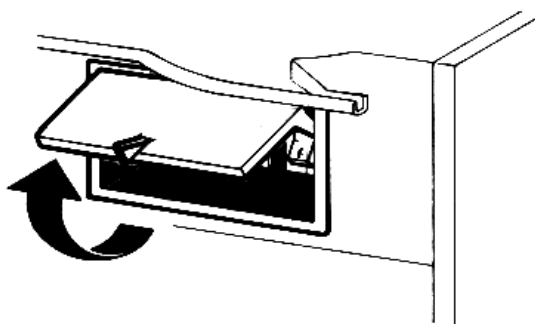


figura 2

Todos los modelos, están provistos de un limitador de presión de seguridad que sirve para prevenir posibles daños al motocompresor. El encendido de la lamparilla colocada a la izquierda de las tapas cubreinterruptores indica un flujo de aire de refrigeración insuficiente. En dicho caso verificar que alrededor del aparato haya suficiente espacio para una adecuada ventilación (por lo menos 6" por cada lado) y que el filtro del condensador esté limpio.

Si la lamparilla permaneciera encendida también después de dichas verificaciones es conveniente contactar el servicio de postventa.

Las funciones de los mandos del distribuidor se ilustran a continuación:

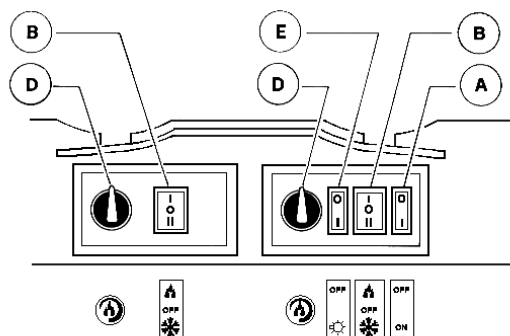


figura 3

Interruptor general (A)

Posición 0 : el distribuidor está apagado.

Posición I : el distribuidor está habilitado para el funcionamiento. Ventilador en función.

Interruptor luces (E)

- Posición 0 : luces tapa apagadas.
- Posición I : luces tapa encendidas.

Interruptor mezcladores y refrigeración (B)

- Posición I : mezcladores y refrigeración en función. Posición BEBIDA.
- Posición 0 : mezcladores y refrigeración apagados.
- Posición II : mezcladores y refrigeración en función. Posición GRANIZADO.

Termostato (D)

- Rotación en sentido horario : bebida más fría
- Rotación en sentido antihorario : bebida menos fría

Para el funcionamiento del distribuidor:

- 1 - Colocar el interruptor general en la posición I.
- 2 - Ajustar los interruptores mezcladores y refrigeración:
 - en la posición I si se quiere refrigerar el producto sin helarlo
 - en la posición II si se quiere obtener el granizado.
- 3 - Poner el interruptor luces en la posición I para encender las luces.

5. 2 SUGERENCIAS

- 1 - **Regulación de la densidad:** la densidad óptima del granizado ha sido ya ajustada en fábrica. Si se quiere variar dicha densidad girar con un destornillador el correspondiente tornillo de ajuste situado en cada una de las paredes posteriores del distribuidor (ver figura 4):
 - hacia derecha (sentido horario) para obtener un granizado más denso (el índice F en la ventanilla G se desplazará hacia abajo).
 - hacia izquierda (sentido antihorario) para obtener un granizado menos denso (el índice F en la ventanilla G se desplazará hacia arriba).

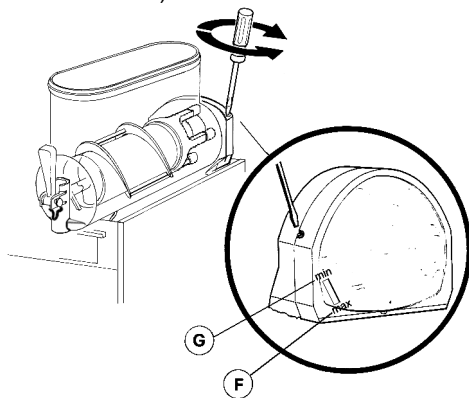


figura 4

- 2 - **Regulación de la temperatura:** la temperatura óptima de las bebidas (para el funcionamiento del distribuidor como refrigerador de bebidas y no como granizador) ha sido regulada en la fábrica. Si se quiere variar su valor, girar el pomo colocado en cada una de los paneles portainterruptores:
 - hacia derecha (sentido horario) para obtener una bebida más fría.
 - hacia izquierda (sentido antihorario) para obtener una bebida menos fría.

NOTA : la regulación de la temperatura de la bebida se hace efectiva solamente cuando el interruptor

mezcladores y refrigeración correspondiente se encuentra en la posición Bebida.

- 3 - El tiempo necesario para obtener la refrigeración del producto varía en función de distintos factores como por ejemplo la temperatura ambiente, la temperatura inicial del producto, su contenido de azúcar (grado Brix) y la regulación de la densidad.
- 4 - Llenando los contenedores con producto ya enfriado previamente se aumenta ulteriormente la eficiencia del distribuidor.
- 5 - Para disminuir los tiempos de restablecimiento y, por lo tanto, aumentar la autonomía del distribuidor, volver a llenar cuando el nivel del producto desciende a mitad evaporador.
- 6 - Para conseguir una buena conservación del producto, el distribuidor debe funcionar también durante la noche, por lo menos en la posición Bebida. Si esto no fuera posible y los productos permanecieran en los contenedores con el distribuidor parado es conveniente, una hora antes de apagar el aparato, llevar los interruptores mezcladores y refrigeración en la posición I; ésto evita la formación de bloques o crostas de hielo que podrían dañar los dispositivos mezcladores. En el caso en que se formasen dichos bloques de hielo, estos deberían ser quitados antes de volver a poner en función el distribuidor. El funcionamiento nocturno en la posición Bebida elimina además la posible formación de hielo (debido a la condensación de la humedad atmosférica) en el exterior de los contenedores.
- 7 - No parar jamás los mezcladores cuando hay granizado en los contenedores; si no se mezcla, dicho granizado puede agregarse y formar un único bloque de hielo. Volviendo a arrancar los mezcladores en estas condiciones (sin esperar que el hielo se derrita) pueden dañarse.
- 8 - El distribuidor está provisto de una junta magnética para la transmisión del movimiento a los mezcladores. Para prevenir daños al aparato, en caso de bloqueo de los mezcladores debido a bloques de hielo u otro dentro de los contenedores, la junta magnética se encarga de desconectar automáticamente la transmisión del movimiento. Dicha situación puede ser identificada tanto por el bloqueo de los mezcladores como por un ruido intermitente que proviene del aparato. En este caso es necesario parar inmediatamente el distribuidor, vaciar el contenedor interesado y eliminar la causa del bloqueo.
- 9 - Todo distribuidor de este tipo debe despedir calor. Si el calor producido fuera excesivo, controlar que ninguna fuente de calor se encuentre cerca del distribuidor y, en modo particular, cerca de las rejillas de los paneles. Cerciorarse además, que el flujo de aire no esté obstaculizado por paredes cercanas, cajas u otras cosas. Dejar por lo menos 15 cm de espacio libre alrededor del distribuidor. En todo caso cuando el producto dentro de los contenedores está helado y la lamparilla del limitador de presión de seguridad está apagada es seguro que todo funciona regularmente y que el calor emitido no es dañoso.
- 10 - Reductor del flujo: cuando el distribuidor se utiliza para la refrigeración de bebidas se aconseja instalar, sobre el grifo, el reductor de flujo provisto (ver figura 5).

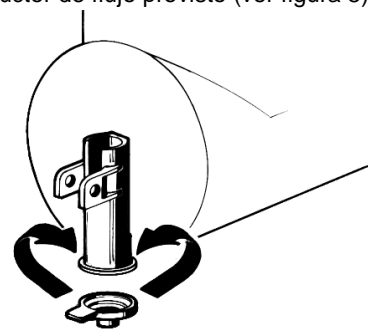


figura 5

5. 3 LIMPIEZA

- 1 - La limpieza y el lavado son fundamentales para garantizar la perfecta conservación del gusto de la bebida y la máxima eficiencia de vuestro distribuidor. Los procedimientos descritos a continuación deben ser considerados de carácter general y pueden variar por efecto de la reglamentación de higiene vigente.
- 2 - Antes del desarmado para el lavado del distribuidor debe quitarse todo el producto. Proceder como sigue:
 - poner el interruptor general en la posición I;
 - poner los interruptores mezcladores/refrigeración en la posición I;
 - posicionar un recipiente debajo del grifo y vaciar los contenedores;
 - poner todos los interruptores en la posición 0.

5. 3. 1 DESMONTAJE



ATENCIÓN

Antes de proceder con el desmontaje de cualquier componente, desenchufar de la toma de corriente eléctrica el enchufe del aparato o bien apagar el interruptor externo de pared.

- 1 - Quitar la tapa del contenedor.
- 2 - Desmontar el contenedor empujando ligeramente la parte inferior (lado grifo) hacia arriba para dejar libres los ganchos inferiores (ver figura 6) y luego quitarlo por adelante (ver figura 7).

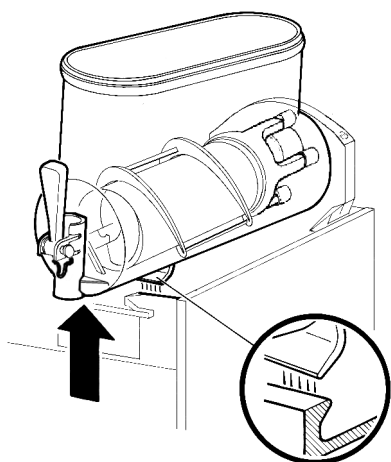


figura 6

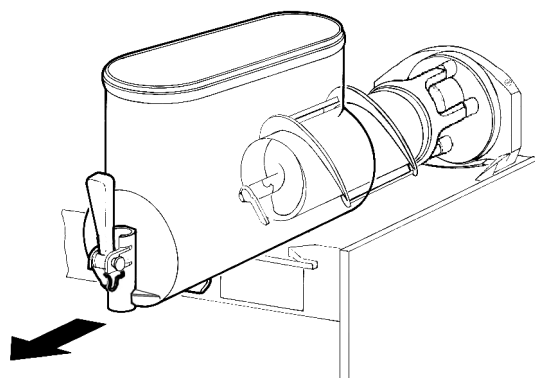


figura 7

- 3 - Desenfiar del evaporador el rascador exterior (ver figura 8) y después el rascador interior (ver figura 9).

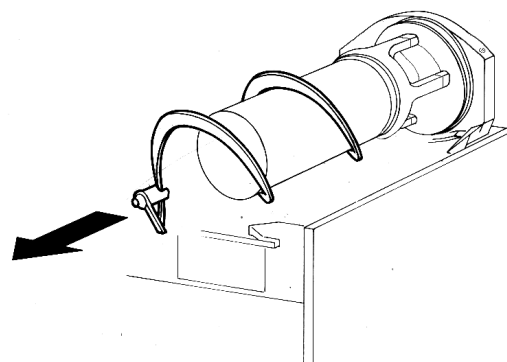


figura 8

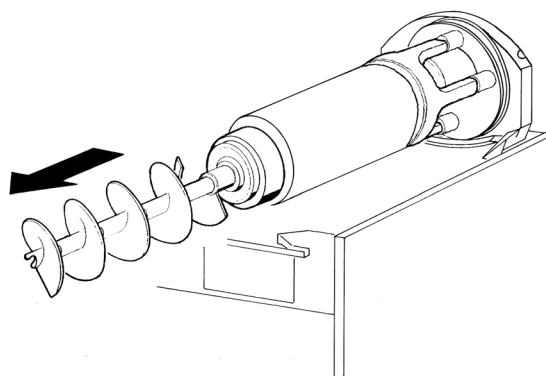


figura 9

- 4 - Quitar de su alojamiento la junta del contenedor (ver figura

10).

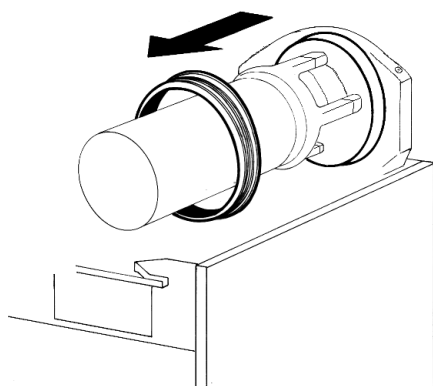


figura 10

5 - Desarmar el grifo respetando la secuencia indicada (ver figura 11).

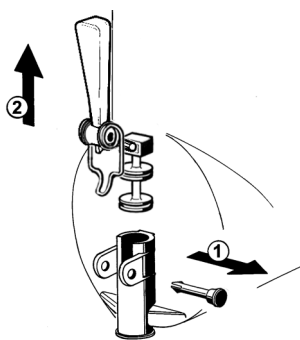


figura 11

6 - Desenfilear el cajón recoge-gotas y vaciarlo.

5. 3. 2 LAVADO



ATENCIÓN

Antes de efectuar cualquier tipo de limpieza, desenchufar de la toma de corriente eléctrica el enchufe del aparato o bien apagar el interruptor externo de pared.



IMPORTANTE

No lavar ningún componente de la maquina en lavavajillas.

1 - Poner en una palangana aproximadamente ocho litros de agua caliente (45°-60°C) y detergente respetando con atención las instrucciones del fabricante; una solución demasiado concentrada del detergente puede provocar daños en las partes a lavar, en vez una solución demasiado diluida puede no limpiar bastante. No utilizar

detergentes abrasivos.



IMPORTANTE

Para prevenir daños al distribuidor utilizar solamente un detergente compatible con las partes de plástico.

2 - Emplear un cepillo apropiado y lavar minuciosamente con la solución detergente todas las partes en contacto con la bebida.



ATENCIÓN

Durante el lavado del distribuidor no usar mucha cantidad de agua cerca de los componentes eléctricos; en caso contrario es posible que se verifiquen shock eléctricos o bien se dañe el distribuidor.

3 - No sumergir en la solución de lavado las tapas con luz sino que lavarlas en modo separado. Prestar mucha atención a sus lavados en la parte inferior.

4 - Lavar los cilindros evaporadores empleando un cepillo con cerdas suaves.

5 - Enjuagar todas las partes con agua corriente.

5. 3. 3 HIGIENIZACION DEL DISTRIBUIDOR DESMONTADO

La higienización debe efectuarse inmediatamente antes de poner en función el distribuidor; evitar que este permanezca inactivo por mucho tiempo después de haber sido higienizado.

1 - Antes de iniciar los procedimientos descritos a continuación lavarse las manos con un jabón antibacterico.

2 - Poner en una palangana aproximadamente ocho litros de solución de agua caliente (120-140F) con un producto para higienizar aprobado por las autoridades de vuestro país respetando las especificaciones del fabricante. Si se carece de un producto para higienizar específico, preparar una solución de agua e hipoclorito de sodio (lejía uso alimenticio) en la proporción de 1 cucharadita por cada 0.5 gal de agua.

3 - Colocar en la solución todas las partes a higienizar dejándolas el tiempo que ha sido indicado por el fabricante del producto.

4 - No sumergir en la solución las tapas con la luz. Lavar muy minuciosamente la parte inferior con la solución para higienizar.

5 - Dejar secar las partes higienizadas, sobre una superficie limpia al aire libre.

6 - Secar las partes externas del distribuidor sin usar paños abrasivos.

5. 3. 4 REMONTAJE

1 - Colocar el cajón recoge-gotas en su alojamiento.

2 - Lubricar el pistón grifo, el rascador interior (en los puntos A, B y C indicados en la figura 12) utilizando solamente la grasa suministrada por el fabricante u otro grasa para uso

alimenticio.

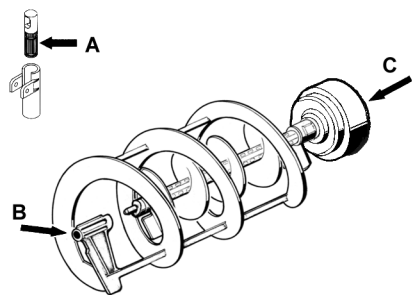


figura 12

3 - Armar de nuevo el grifo sobre el contenedor siguiendo la secuencia inversa a la detallada para el desmontaje (ver figura 11).

4 - Volver a montar en su alojamiento la junta del contenedor. NOTA: El borde de mayor diámetro debe ser apoyado en la pared posterior (ver figura 13).

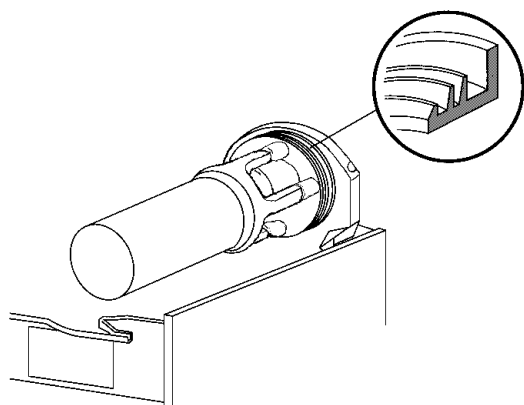


figura 13

5 - Enfilarse el rascador interior en el evaporador, acompañándolo con cuidado, evitando tocar la pared posterior (ver figura 14).

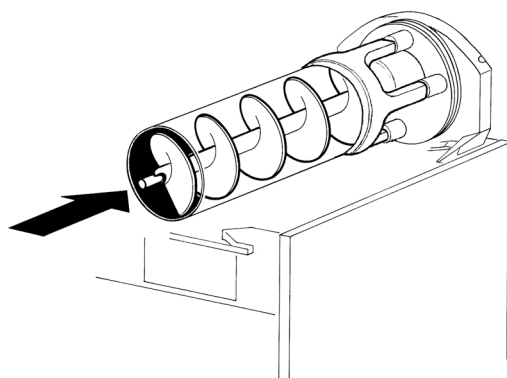


figura 14

6 - Colocar sobre el evaporador el rascador exterior, acoplándolo a su extremo anterior al árbol del rascador interior y haciendo coincidir los dientes de arrastre (ver

figura 15).

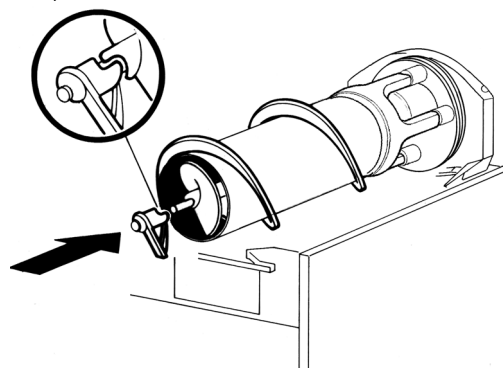


figura 15

7 - Montar el contenedor y empujarlo hacia la pared posterior, controlando que calce completamente en la junta y, al mismo tiempo, que sus ganchos inferiores coincidan con las correspondientes salientes del plano de goteo (ver figura 16).

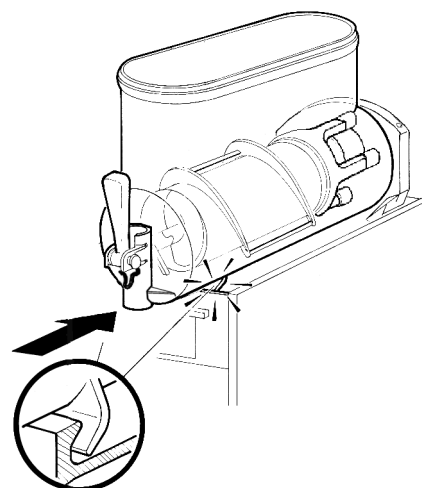


figura 16

8 - Enjuagar con bebida fresca para eliminar todo residuo posible de solución para higienizar el fondo de los contenedores. Secar la parte interior de los contenedores con una servilleta de papel desechable.

5. 4 HIGIENIZACION DEL DISTRIBUIDOR MONTADO


La higienización del aparato montado, antes de ser puesto en funcionamiento, puede ser efectuada, si es necesario, solamente como una ulterior prevención adicional a la higienización del aparato desmontado descrito anteriormente, pero no debe sustituir jamás a la efectuada con el aparato desmontado.

- 1 - Poner en una palangana una solución de agua u producto para higienizar aprobado por las autoridades de su país, respetando las especificaciones del fabricante. Si se carece de un producto para higienizar específico, preparar una solución de agua e hipoclorito de sodio (lejía uso alimenticio) en la proporción de 1 cucharadita por cada 0.5 gal de agua.
- 2 - Verter la solución en los contenedores.
- 3 - Usando un cepillo apropiado fregar con la solución todas las partes sobre el nivel de la solución y sobre la parte inferior de la tapa.
- 4 - Colocar la tapa y poner en función el distribuidor de modo que permita a la solución agitarse 2 minutos.
- 5 - Vaciar los contenedores de la solución para higienizar por medio de los grifos.

- 6 - Enjuagar con bebida fresca para eliminar del fondo de los contenedores todo residuo posible de solución para higienizar. Secar la parte interior de los contenedores con una servilleta de papel desechable.
- 7 - No efectuar más operaciones de enjuague.

6 MANUTENCION

- 1 - **Cada día:** controlar el distribuidor y que no se verifiquen pérdidas de producto de las juntas. Si se notasen pérdidas, controlar , antes de todo, que el distribuidor esté montado correctamente, luego que las juntas no necesiten lubricación y, por último, que dichas juntas no sean defectuosas o estén gastadas, si es así reemplazarlas con recambios originales del fabricante.
- 2 - **Cada mes en los modelos MT 2 y MT 3:** eliminar el polvo que se acumula sobre el filtro del condensador.



ATENCION

Antes de efectuar cualquier tipo de limpieza, desenchufar de la toma de corriente eléctrica el enchufe del aparato o bien apagar el interruptor externo de pared.

Desmontar solamente el panel izquierdo (lado grifo) desenroscando a mano los tornillos de fijación cubiertos de plástico (ver figura 17).

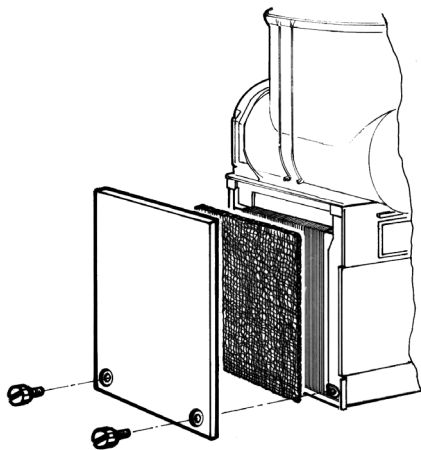



figura 17



ATENCION

Prestar atención a las aletas del condensador porque tienen filo.

6. 1 MANUTENCION (SOLAMENTE POR EL SERVICIO POSTVENTA)

- 1 - **Cada año:** es aconsejable quitar todos los paneles y limpiar la zona interior, incluso la base y el interior de los paneles.
- 2 - No quitar jamás el material aislante contra la condensación puesto alrededor del tubo de salida del

evaporador (el tubo de cobre colocado a la derecha del motoreductor). Si dicho material estuviera dañado o perdido, reponer con recambios originales del fabricante.

- 3 - Para prevenir daños al distribuidor las partes de plástico deben ser lubricadas solamente con la grasa suministrada por el fabricante u otra grasa compatible con policarbonato.



ATENCION

El diagrama eléctrico del distribuidor se ilustra en la parte interior del panel del lado grifo.

7 CONTADOR DE DESCONGELACION

El contador de descongelación, que está situado a la derecha del aparato, automáticamente cambia el dispensador de la función del Granizado a la función Bebida y al contrario. Esto quiere decir que durante el periodo de descongelación el Granizado se derretirá a la temperatura fijada por el termostato y una vez que el periodo de descongelación haya terminado, el producto automáticamente se congela de nuevo a la viscosidad prefijada del Granizado.

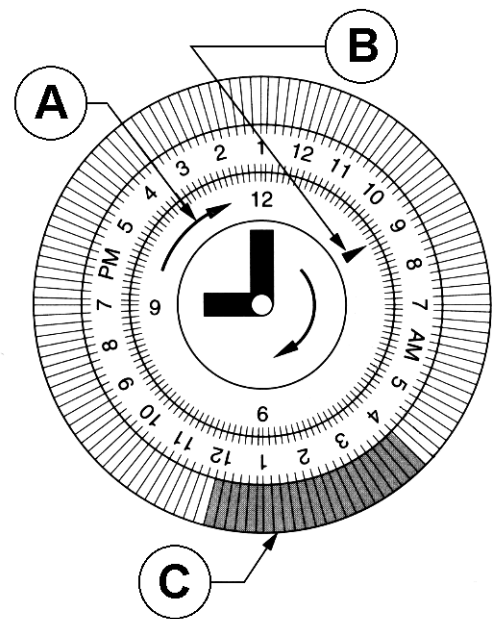


figura 18

Para utilizar el contador de descongelación seguir los siguientes pasos (ver figura 18):

- 1 - fijar la hora del día girando el contador en sentido horario. **Nunca girar el contador en sentido antihorario** ya que el mecanismo interno podría verse dañado. Alinear la hora del día mediante la aguja B situada en la cara del contador. Este es un contador que muestra las 24 horas AM y PM.
- 2 - programar el contador de descongelación presionando las lenguetas indicadas con la letra "C" que corresponden a las horas prefijadas para la descongelación. Cada división representa 15 minutos. Un mínimo de cuatro a ocho horas son necesarias para la descongelación de la bebida (dependiendo de las condiciones ambientales).

Note: cuando todas las lenguetas no están presionadas la función de descongelación se mantiene apagada (el distribuidor funciona como si no estuviera equipado con el contador de descongelación).

8 SISTEMA DE RECARGA AUTOMATICA

8.1 INTRODUCCION

El presente manual tiene como fin completar el "Manual de instrucciones" de la máquina para Granita estándar incluido en cada unidad.

Antes de afrontar los argumentos tratados a continuación, les aconsejamos que lean atentamente éste manual con el fin de conocer los principios generales de funcionamiento del aparato.

El fin de un sistema de recarga automática es el de incrementar la productividad de los distribuidores además de la capacidad de los contenedores. Este permite la recarga automática cuando el nivel de producto disminuye por debajo de un límite establecido.

Cada máquina para Granizado dotada de un sistema de recarga automática necesita de un sistema de alimentación externo para garantizar un correcto flujo de producto al distribuidor.

En este manual no se han tratado los procedimientos de instalación y de utilización del sistema de alimentación. Para obtener mayor información sobre estos argumentos véase lo referido en el manual "Sistema de recarga automática - Descripción general y esquema de instalación".

8.2 INSTALACION

1 - Aflojar el tornillo del sistema de fijación situado en cada una de las tapas posteriores de cada contenedor equipado con el Sistema de recarga automática y conectar el sistema de alimentación insertando el cable de conexión de 1/4" en su lugar adecuado y bloqueándolo con el sistema de fijación. Por último enroscar el tornillo.

▶ IMPORTANTE

Qualquiera que sea el sistema de alimentación utilizado, la presión del producto en la entrada al sistema de recarga automático no debe nunca ser superior a 2.5 bar

2 - En la parte baja del panel posterior esta situado un conector de 6 polos. Esta permite la conexión eléctrica de algunos accesorios como por ejemplo una electroválvula de seguridad para el agua de entrada o una serie de sensores de fin del producto (ver figura 19).

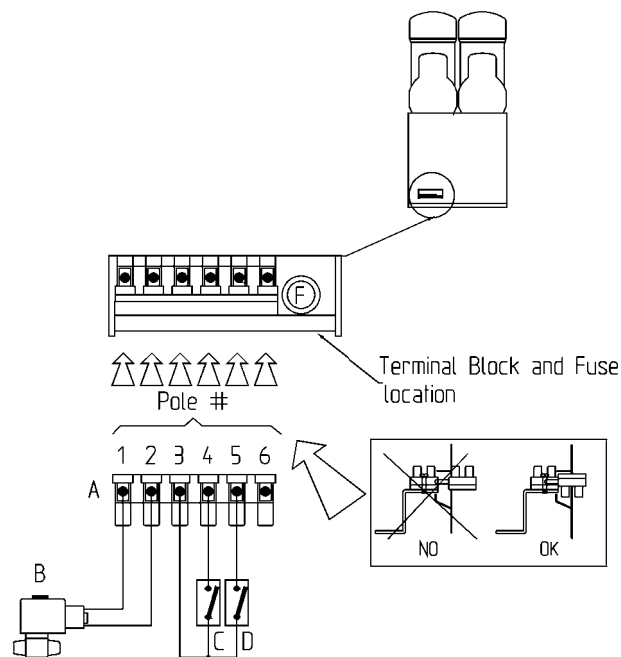


figura 19

- 3 - La electroválvula de seguridad tiene como fin interrumpir el flujo del agua proveniente de la red hidráulica (si esta en el sistema de alimentación) cada vez que el sistema de recarga automática viene desactivado. Los sensores de fin de producto (uno por contenedor) desactivan el sistema de recarga automática y activan alarmas acústicas y visuales cada vez que la bebida de cada contenedor se acaba. La electroválvula de seguridad del agua, si esta montada, debe estar conectada eléctricamente a los polos #1 y #2 del conector (ver figura 19).

▶ IMPORTANTE

La electroválvula de seguridad debe ser de tipo para agua potable, con tensión de alimentación equivalente a 24V DC y potencia máxima absorbida de 12W

No usar los polos #1 y #2 si no viene utilizada alguna electroválvula de seguridad para el agua. Si en el sistema de alimentación están instalados los sensores de fin de producto conectar cada uno de sus terminales a los polos #3 y #4 del conector, para los distribuidores con un contenedor, a los polos #3, #4 y #5, para aquellos con dos contenedores y a los polos #3, #4, #5 y #6 para aquellos con 3 contenedores.

▶ IMPORTANTE

Si no vienen usados sensores de fin de producto prestar atención que los polos #3, #4, #5 y #6 del conector estén conectados entre ellos.

- 4 - El sistema de recarga automática no sale higienizado de fábrica. Antes de la utilización debe ser higienizado siguiendo las instrucciones ilustradas en este manual (capítulo 3.3 HIGENIZACION).

8. 3 PROCEDIMIENTO PARA EL FUNCIONAMIENTO

Una vez que el sistema de alimentación es instalado, para activar el sistema de recarga automática, seguir el procedimiento descrito en el capítulo 3.1 CONTROLES.

IMPORTANTE

El dispositivo es proyectado de modo que la recarga no funciona si el nivel de el sensor no ha sido correctamente montado o si el contenedor no se ha fijado en la posición correcta.

Si el sensor de nivel está correctamente instalado y el contenedor bien fijado en su posición, el sistema de alimentación recarga el contenedor a través del orificio situado en la tapa posterior. Cuando el nivel de producto alcanza la extremidad inferior del nivel del sensor, la recarga se para automáticamente.

Cuando el nivel del producto desciende hasta el final de la base del sensor (a causa del suministro), la electroválvula, alojada en el interior de la tapa posterior, se abre automáticamente y la bebida fluye del contenedor hasta que el nivel del sensor no esté de nuevo en contacto con el producto. La electroválvula se abre con 10 segundos de retraso para evitar que eventuales fluctuaciones de producto descubran accidentalmente el nivel del sensor y éste pueda ser interpretado erróneamente como una disminución del nivel causada por un suministro.

Una señal visual situada en la tapa posterior (alarma visual), y un avisador automático colocado en el interior de la tapa posterior (alarma acústica) advierten que el producto se ha acabado. Estos dispositivos funcionan solo si un sensor de fin de producto ha sido instalado y conectado al conector (ver figura 19).

8. 3. 1 CONTROLES

El sistema de recarga automática está dotado de un interruptor con tres posiciones colocadas en la tapa posterior. Sus funciones son las siguientes:

- I posición : el sistema de recarga automática es activado si el interruptor general del distribuidor está en posición I.
- 0 posición : El sistema de recarga automática está apagado.
- II posición : El sistema de recarga automática viene activado manualmente (posición temporal). Teniendo presionado el interruptor en la posición II, es posible activar manualmente la recarga automática independientemente de todos los controles (sea el sensor de nivel que el de fin de producto). Esta característica es útil cuando se activa el dispositivo por primera vez y cuando el producto se acaba. Además facilita los procedimientos de limpieza e higienización.

Para accionar el sistema de recarga automática proceder de la siguiente manera:

- 1 - Poner el interruptor general del distribuidor en posición I.
- 2 - Si se usa por primera vez el sistema: activar manualmente el sistema de recarga automática, teniendo presionado su interruptor en posición II, hasta que la recarga haya comenzado. Poner entonces el interruptor del sistema de recarga en posición I.
Si no se usa por primera vez el sistema: poner el interruptor del sistema de recarga en posición I.
- 3 - Poner el interruptor mezclador/refrigeración del contenedor en posición II.

Nota: cuando el interruptor del sistema de recarga automática está en posición 0 el distribuidor funciona como una máquina estándar no equipada de recarga automática.

8. 3. 2 CONSEJOS UTILES

- 1 - Si el sistema de alimentación está equipado con sensores de fin de producto, cuando la bebida se acaba, el sistema de recarga automática se para y se activan las alarmas para dicho propósito (acústicas y visuales). Una vez que el sistema de alimentación del producto sea repuesto, manteniendo presionado el interruptor del sistema de recarga en posición II, es posible reactivar el sistema de alimentación manualmente según el procedimiento descrito en el capítulo 3.1 CONTROLES.
- 2 - El fusible de 1,25 Amperios colocado cerca del conector sirve para proteger el sistema de recarga automática de los cortocircuitos o excesiva carga en los polos #1 e #2.
- 3 - Después de los procedimientos de limpieza e higienización, secar bien el contenedor y el sensor de nivel, para evitar que el agua que haya, pueda ser erróneamente interpretada como un alcance de nivel, y entonces determinar el fin de la recarga.

8. 3. 3 HIGIENIZACION

Se aconseja de higienizar el sistema de recarga automática para garantizar un mejor gusto del producto y una mejor eficiencia de la máquina. Los procedimientos descritos a continuación deben ser considerados de carácter general y pueden variar a efectos de la regulación sanitaria vigente.

Antes de proceder a la higienización, la máquina debe ser vaciada siguiendo los siguientes pasos:

- poner el interruptor del sistema de recarga en posición 0.
 - poner el interruptor general en posición I.
 - poner el interruptor del mezclador/refrigerador en posición I (modo bebida).
 - poner un recipiente debajo de cada grifo y vaciar el contenedor del producto.
 - poner todos los interruptores de control en posición 0.
- 1 - Usar un recipiente limpio para cada uno de los siguientes puntos:
 - a - Recipiente para limpieza - rellenar con agua potable caliente (120-140F).
 - b - Recipiente para higienización - rellenar con una solución higienizante (cloro 100 PPM) según la normativa sanitaria vigente y las especificaciones del fabricante .
 - 2 - Repetir el siguiente procedimiento en cada uno de los contenedores de la máquina:
 - a - Desconectar el recipiente de la bebida y en su lugar conectar el recipiente para la limpieza.
 - b - Poner el interruptor de la máquina en posición I. Activar manualmente el sistema de recarga automática, teniendo presionado su interruptor (colocado en la tapa posterior de cada contenedor) en posición II, hasta que el agua entrante no presente ningún residuo de bebida. Poner el interruptor general en posición 0 y vaciar el contenedor de todo el líquido.
 - c - Desconectar el recipiente para la limpieza y conectar al sistema de alimentación el de higienización.
 - d - Poner el interruptor general del distribuidor en posición I. Activar manualmente el sistema de recarga automática teniendo presionado su interruptor (situado en la tapa posterior de cada contenedor) en posición II, hasta que el líquido de salida no resulte sólo solución higienizante. Echar al menos 4 litros de solución higienizante para estar seguros que el sistema haya sido higienizado completamente.

e -Desconectar el depósito para la higienización. Después conectar al sistema de alimentación el contenedor de la bebida.

f -Poner el interruptor general del distribuidor en posición I. Activar manualmente el sistema de recarga automática, teniendo presionado su interruptor (colocado en la tapa posterior de cada contenedor) en posición II, hasta que el líquido entrante no sea esta vez solo bebida.

Poner el interruptor general en posición 0 y vaciar el contenedor de todo líquido.

g -Poner el interruptor general del distribuidor en posición I. Activar manualmente el sistema de recarga automática, teniendo presionado su interruptor (colocado en la tapa posterior de cada contenedor) en posición II; después rellenar un vaso con la bebida y controlar el sabor.

h -Vaciar el contenedor del todo y repetir los procedimientos descritos en el punto G hasta que no se haya obtenido un sabor satisfactorio. Nota: la higienización del sistema de recarga automática debe ser seguido de la limpieza e higienización del distribuidor como viene ilustrado en el manual de instrucciones.

8. 4 MANUTENCION

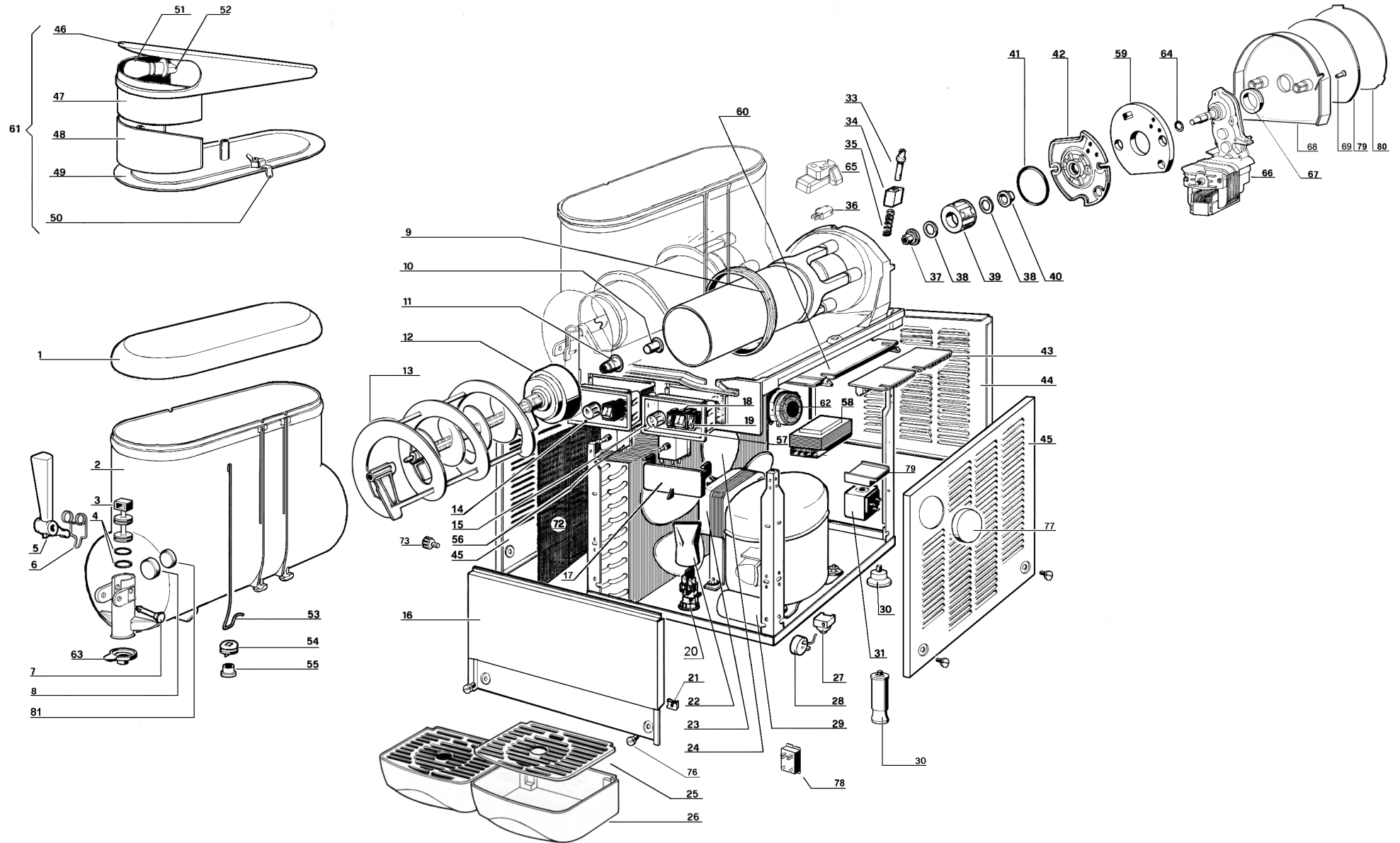
Cada día: verificar que no haya pérdidas de producto cerca de juntas y conexiones. Si un correcto montaje no bloquea las pérdidas, controlar que haya habido una adecuada lubricación o que no hayan habido partes dañadas o gastadas.



IMPORTANTE

Cada semana: controlar el contacto eléctrico entre el sensor de nivel y la tapa posterior. Mantenerlo limpio y libre de azúcar o polvo.

MT UL AF



1	00263	Transparent cover	Tapa transparente	41	00226	Flange OR 3231	OR para brida
2	00106	Bowl	Contenedor	42	00183	Gear motor flange	Brida para motoreductor
3	00161	Faucet piston	Pistón del grifo	43	○○○	Delay electronic device (PWB)	Circuito electrónico
4	00101	Faucet piston OR	Junta OR del pistón grifo	44	○○○	Back panel	Panel posterior
5	00102	Faucet handle	Palanca grifo	45	00238	MT 1 side panel	Panel lateral MT 1
6	00122	Faucet handle spring	Muelle de la palanca grifo	45	00237	MT 1P-2-3 side panel	Panel lateral MT 1P-2-3
7	00103	Faucet handle pin	Pivote de la palanca	45	00267	MT 1P-2-3 side panel (defrost timer)	Panel lateral (contador de descongelación)
8	00536	Thrust washer rubber cap	Tapa de goma para buje	46	00563	Lighted top cover (upper)	Tapa con luz (superior)
9	00105	Bowl gasket	Junta del contenedor	47	00572	Picture	Fotografía
10	00126	Rear wall front bushing	Buje exterior	48	00188	Picture screen	Armazon
11	00127	Auger bushing	Buje para rascador interior	49	00094	Lighted top cover (lower)	Fondo de la tapa
12	00110	Auger	Rascador interior	50	00084	Top cover light contact	Contacto para luz
13	00111	Outer spiral	Rascador exterior	51	00100	28V bulb	Lampara 28V
14	00129	Switch box	Panel para interruptores	52	00131	Bulb socket	Muelle para contacto luz
15	00130	Power switch box	Panel para interruptor general	53	00148	Light wire	Muelle para contacto luz
16	○○○	Dispensing side panel	Panel lado grifo	54	00567	Flexible contact	Gomita con contacto
17	00562	Switch box cover	Tapa panel interruptores	55	00177	Fixing ring	Anillo de fijación
18	00123	3-position switch	Interruptor de 3 posiciones	56	00132	Thermostat	Termostato
19	00124	2-position switch	Interruptor	57	00182	Thermostat knob	Pomo para termostato
20	00265	Terminal block with cable clamp	Pasacable	58	○○○	Transformer	Transformador
21	00266	Clip	Clip	59	00231	Insulation foam	Espuma aislante
22	00297	Terminal block protection	Protección pasacable	60	00268	PWB housing	Soporte circuito electrónico
23	○○○	Fan motor	Motor ventilador	61	00568	Lighted top cover (assy.)	Tapa completa con luz
24	00133	Fan blade	Aspas	62	00269	Timer switch	Contador de descongelación
25	○○○	Drip tray cover	Rejilla cajón recoge-gotas	63	00134	Restrictor cap	Tapa de restricción
26	○○○	Drip tray	Cajón recoge-gotas	64	00270	Central shaft OR	OR para eje central
27	***	Relay	Relé	65	00704	Micro-switch protection	Goma de protección microinterruptor
28	***	Overload protector	Guardamotor	66	00046	Gear motor	Motoreductor
29	***	Starting-run capacitor	Condensador de arranque	67	00153	Rear bushing	Buje posterior
30	00158	Rubber leg	Pie nivelador	68	00573	Rear cover	Tapa posterior
30	00092	4" leg	4" pie nivelador	69	00569	Rear cover fixing screw	Tornillo fijación tapa posterior
31	***	Solenoid valve coil	Bobine electroválvula	72	00119	Condenser filter	Filtro del condensador
33	00087	Density adjustment screw	Tornillo regulador densidad	73	00570	Panel fixing screw	Tornillo fijación panel lateral
34	00089	Shaped nut	Tuerca-guida del muelle	77	00157	Timer cover	Cobertura del contador de descongelación
35	00088	Spring	Muelle	78	***	Compressor power relay	Relé de potencia para compresor
36	00121	Microswitch	Microinterruptor	79	00574	Rear cover picture	Fotografía para tapa posterior
37	00227	Rear wall rear bushing	Buje interior	80	00575	Rear cover picture screen	Armazón para fotografía tapa posterior
38	00229	Magnetic drive washer	Arandela para rotor interior	81	00537	Thrust washer	Arandela de empuje
39	00228	Magnetic drive	Rotoe interior				
40	00230	Flange bushing	Buje para brida				

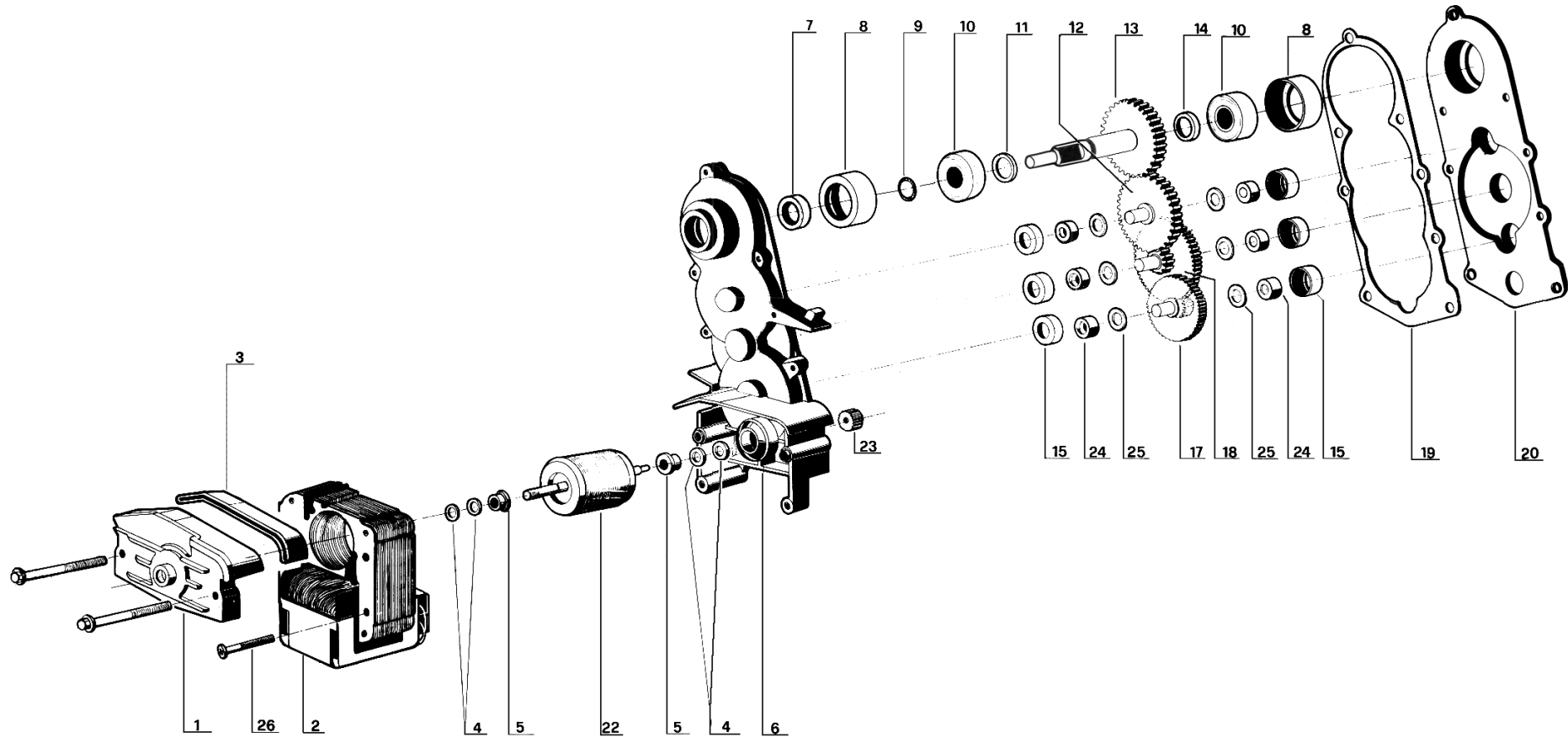
○○○ See next table

*** Please order what printed on piece

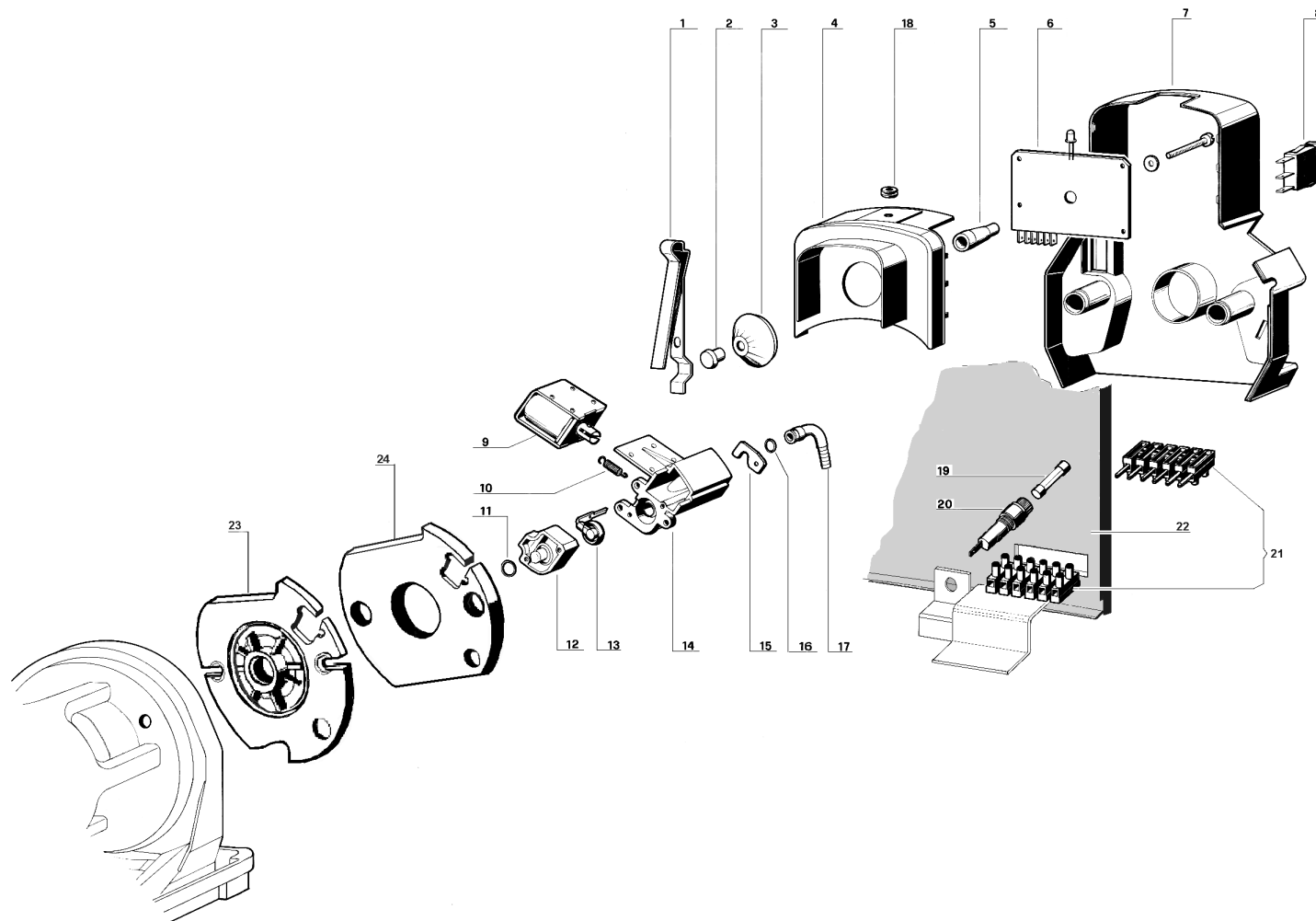
○○○	MT 2 UL
16	00240
23	00108
25	00138
26	00139
43	00113
44	00236
58	00193

MT 3 UL
00241
00108
00138
00139
00081
00276
00194

GEAR MOTOR / MOTORREDUCTOR



1	00097	Bracket with bush	Soporte con buje	14	00258	3.3 mm spacer	Distancial 3,3 mm.
2	00156	Stator	Estator	15	00259	Bushing rubber cap	Tapa de goma para buje
3	00296	Stator protection gasket	Junta de la cobertura estador	17	00164	First gear	Primero engranaje
4	00168	Washer	Arandella	18	00167	Second gear	Segundo engranaje
5	00253	Rotor spacer	Distancial del rotor	19	00636	Gasket	Junta
6	00190	Gear box with bushing	Caja reductor con buje	20	00721	Gear box cover	Tapa de la caja reductor
7	00256	Seal retainer	Junta de retencion	22	00180	Rotor	Rotor
8	00254	Ball bearing \varnothing 28 mm rubber cap	Tapa de goma para cojinete	23	00187	Pinion	Piñón
9	00255	Central shaft OR	OR para eje central	24	00169	Bushing	Buje
10	00247	Ball bearing \varnothing 28 mm	Cojinete de bolas \varnothing 28	25	00170	Washer	Arandela
11	00257	1.5 mm spacer	Distancial 1,5 mm.	26	00262	Bracket screw	Tornillo del estador
12	00184	Third gear	Tercero engranaje				
13	00165	Fourth gear	Cuarto engranaje				



1	00115	Clip probe	Sensor de nivel	14	00287	Faucet rear part	Parte posterior del grifo
2	00277	Contact	Contacto	15	00288	Fitting locker	Metal de fijación
3	00278	Flexible contact	Goma flexible	16	00112	Fitting OR	OR conexión
4	00279	Front cover	Tapa anterior	17	00095	Bent 1/4" fitting	Conexión de 1/4"
5	00280	Contact spacer	Distanciador	18	00289	Led light gasket	Señal luminosa
6	00114	Control PWB	Tarjeta electrónica	19	00290	1.25 Amps 250 V fuse (∅ 6.3x32mm)	Fusible de 1,25A 250V
7	00281	Rear cover	Tapa posterior	20	00291	Fuse holder	Portafusible
8	00282	Three position switch	Interruptor con 3 posiciones	21	00292	Terminal block	Conector
9	00283	Solenoid valve	Valvula solenoide	22	00293	MT 2 AF back panel	Panel posterior MT 2 AF
10	00284	Spring	Muelle	22	00294	MT 3 AF back panel	Panel posterior MT 3 AF
11	00144	Faucet OR	OR grifo	23	00295	Gear motor flange	Brida para motoreductor
12	00285	Faucet front part	Parte anterior del grifo	24	00231	Insulation foam	Espuma aislante
13	00286	Faucet gasket	Goma del grifo				



CECILWARE CORPORATION

43-05 20th Avenue
Long Island City, N.Y. 11105
Tel. (800) 935 2211
Fax (718) 932 7860
Email : service@cecilware.com
www.cecilware.com